

BASE MODEL: D1036-D-RF-NFPA-PRO

Job Name: _____ Date: _____ Mark: _____

Reference: _____ Unit Location: _____ Prepared By: _____

Engineer: _____ Contractor: _____ Approval: _____

Expected Job Date: _____ Notes: _____

MODEL FAN OPTIONS

Integral Fans: **F** - Recirculating **R** - Rear Discharging

Top Discharging External Fans: **FBO** - Fan by Others Module **IF** - Inline Fan **RF** - Roof Mounted Fan **WF** - Wall Mounted Fan

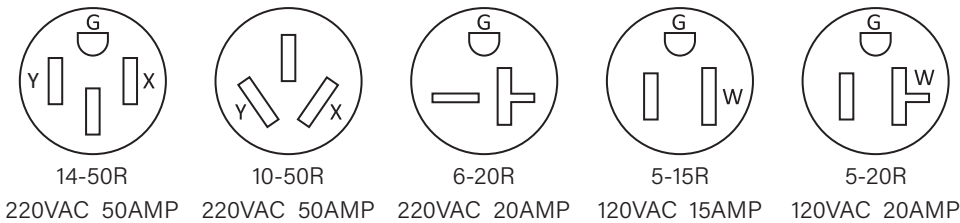
SELECT OPTIONAL ACCESSORIES

- | | |
|--|---|
| <input type="checkbox"/> ADA: ADA Fan/Light Control | <input type="checkbox"/> D1036-TC-D: Top Cover |
| <input type="checkbox"/> CC: Custom Color - (Stainless Standard) Specify Color: _____ | <input type="checkbox"/> MACM: Make-Up Air Control Module |
| <input type="checkbox"/> TANK-TEST: Test Tank | <input checked="" type="checkbox"/> CLBX-PRO: ClockBox Pro with Integrated ADA |
| <input checked="" type="checkbox"/> MPK: Manual Pull Station | <input type="checkbox"/> STROBE: Horn and Light Strobe Alarm |

RANGE FUEL SOURCE DISCONNECT OPTIONS (CHECK APPROPRIATE RECEPTACLE)

- | | |
|---|--|
| <input checked="" type="checkbox"/> G: 3/4" NPT Natural Gas (DED Needed if Electric Components Need to be Controlled on a Gas Range) | <input type="checkbox"/> DED: Dual Element (Includes 3/4" NPT Natural Gas and Electric) -
○ 14-50R, 220VAC ○ 5-20R, 120VAC |
| <input type="checkbox"/> E: Electric -
○ 14-50R, 220VAC ○ 6-20R, 220VAC
○ 10-50R, 220VAC ○ 5-20R, 120VAC
○ 5-15R, 120VAC | <input type="checkbox"/> DRD: Dual Receptacle -
○ 6-20R, 220VAC ○ 5-15R, 120VAC ○ 5-20R, 120VAC |

ELECTRIC NEMA (RECEPTACLE) OPTIONS



Contact factory for any special circumstances

REQUIREMENTS

Hood shall:

- Be D1000 Series by DENLAR Fire Protection
- Be wall mounted so that the bottom of the mounting bracket sits 30" to 36" above the range
- Be of stainless-steel construction (#18 & #20 GA, polished 304) with no sharp edges and brushed finish
- Have factory installed fire suppression system
- Have 280° F degree fusible link (36") which will activate the mechanical fire suppression system
- Have wet chemical extinguishing agent: Low PH Amerex 660 (pressurized potassium citrate / potassium acetate mix)
- Have centrifugal fan with air delivery
- Be ETL listed, tested to UL300A standard
- Fan motor shall be permanently lubricated and meet UL507 standard
- Include a power disconnect for gas and/or electric appliances, deactivated at suppression system discharge
- Automatically disconnect range element once a certain pre-set temperature is reached or under particular predefined events or conditions
- Unit shall have multiple alarm contacts pre-installed (local, remote and trouble alarms) and an audible buzzer
- Lighting shall be LED bulb

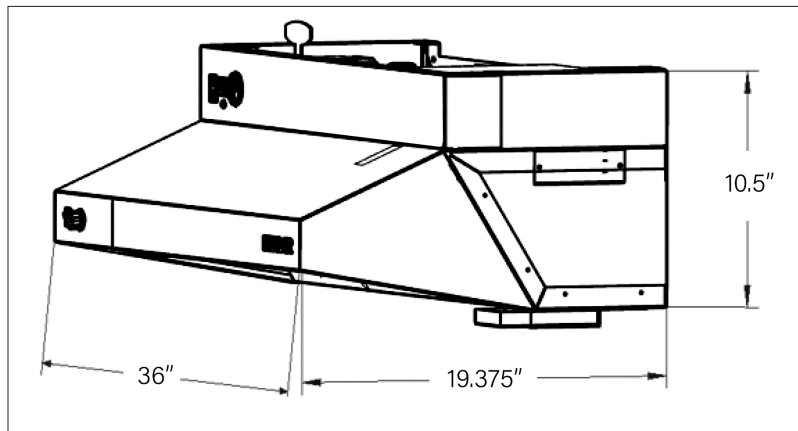
BASE MODEL: D1036-D-RF-NFPA-PRO



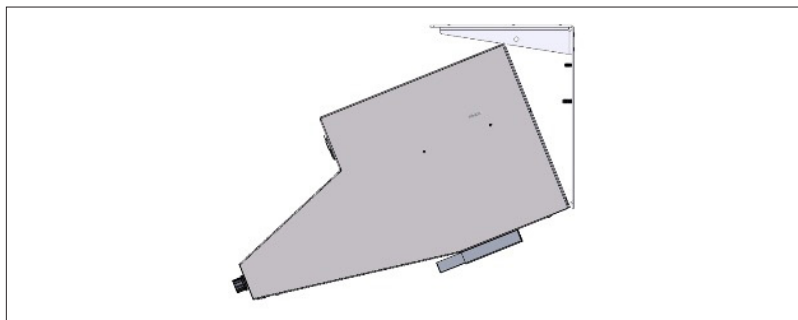
GENERAL FEATURES

- ETL/CSA listed
- 304 Brushed Stainless Steel
- Fail-Safe mechanical actuation
- Two step pre-suppression
- Plenum nozzle
- Main power switch and reset switch
- Service switch
- Pressure switch
- Pressure gauge
- Temperature switches
- Hard wired fuel source disconnect
- Dry alarm contacts
- On board diagnostics
- Status LED
- Trouble signal
- Service key
- Audible buzzer (90db)
- LED bulb
- Grease baffle with drip tray
- Integrated ADA light and fan controls through ClockBox Pro

UNIT DIMENSIONS



REQUIRED FOR ALL MODELS



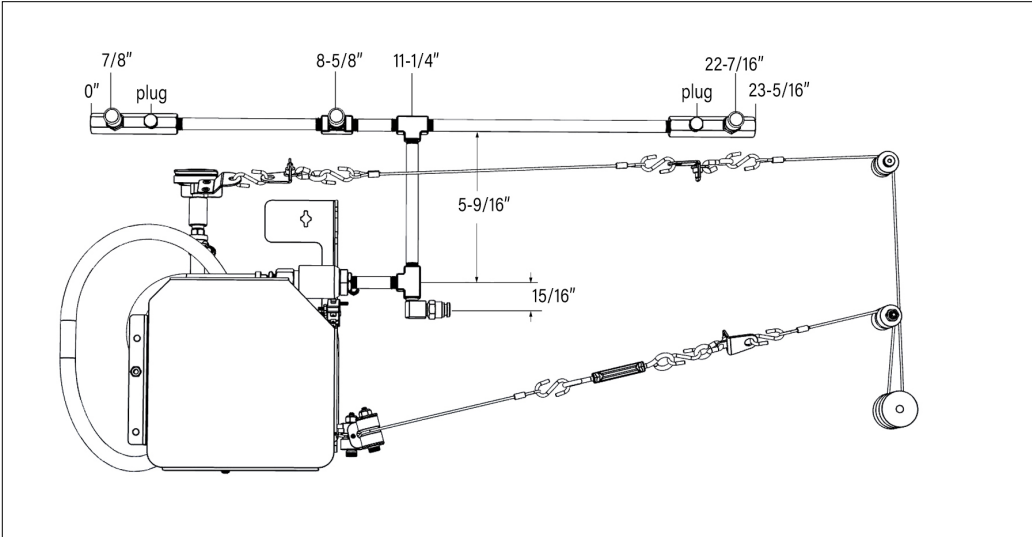
The main unit requires clearance to tilt to a 45° degree angle for maintenance purposes.

SPECIFICATIONS

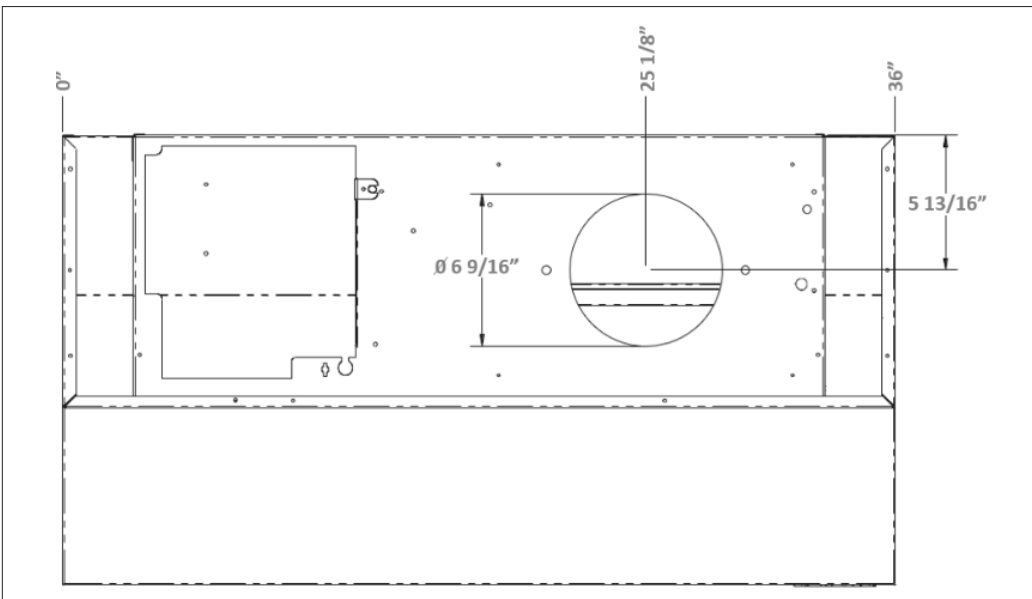
Compliance	UL300A, NSF, UL507, NFPA101, and ADA compliant
Weight	56.8 lbs
Min / Max Install Height Above Top of Residential Range / Cook Top	30" - 36"
Voltage	120 AC
Phase	1
Hz	60 Hz
Amps	6.3 Amps
Circuit Breaker Size	15-20 Amps
Operating Current	5.6 Amps
Fan Operating Current	5 Amps
Output Operating Current	0.25 to 0.5 Amps
Input Wiring	Power Cord
Output Wiring	14-2 mc wire
Fan Type	Roof Mounted Fan, (Fan is External)
MOCP	15 Amps
Duct Type	See Local Codes
Fire Control	Programmable Logic Controller
Tank Type	Stainless Steel
Tank Pressure	102+ -8% Psi
Tank Volume	1300 mL
Suppression Agent	Low pH Wet Chemical Amerex 660
No. of Nozzles / Spray	4 / 60 Degree Conical
Protection Device / Limit	3 Globe Links / 280° F

BASE MODEL: D1036-D-RF-NFPA-PRO

NOZZLE PLACEMENT

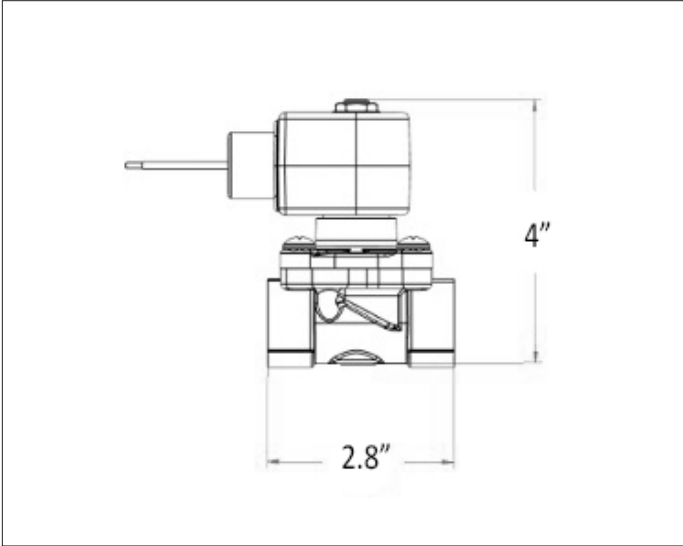


TOP DUCTED EXHAUST



GAS POWER SOURCE DISCONNECT: -G (D1000)

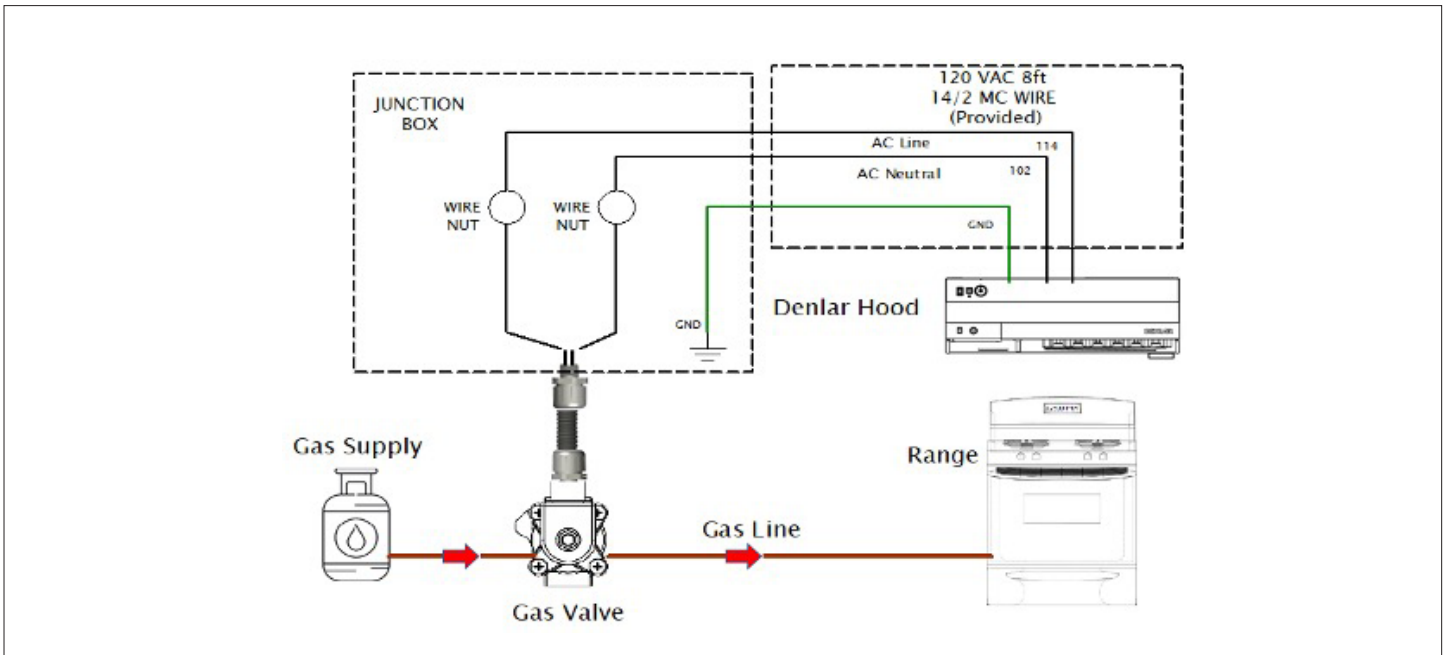
GAS VALVE DIMENSIONS



SPECIFICATIONS

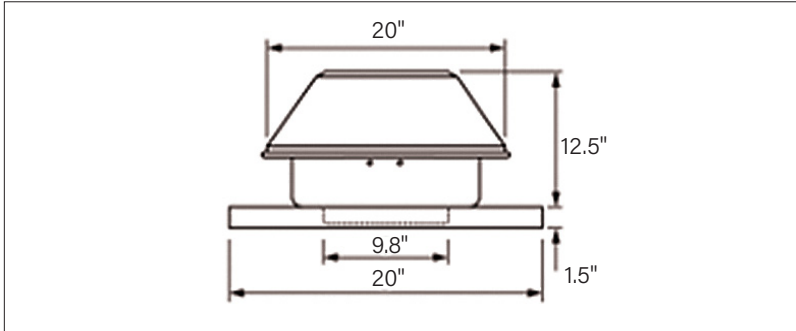
Model	D1000-G
Coil Voltage	120 AC
Phase	1
Frequency	60 Hz
Fuse	0.5 Amps
Operating Current	0.25 Amps
Valve Type	2-way
Function	Normally closed
Actuation Type	Direct lift
Coil Type	½" Npt conduit, 18' leads, class F, NEMA 4X
Body Material	Brass
Seal Material	NBR
Orifice Size	7/16"
Port Size	3/4"
Number Of Ports	2
Port Type	NPT
Media	General purpose for air, liquids, and gases
Min. Pressure Differential	0 PSI
Max. Pressure Differential	100 PSI (AC)
Min. Fluid Temperature	0° F
Max. Fluid Temperature	185° F
Flow Coefficient	5 CV

SCHEMATIC



FAN: -D-RF-NFPA (PRO) 36"

NFPA ROOF MOUNT DIMENSIONS

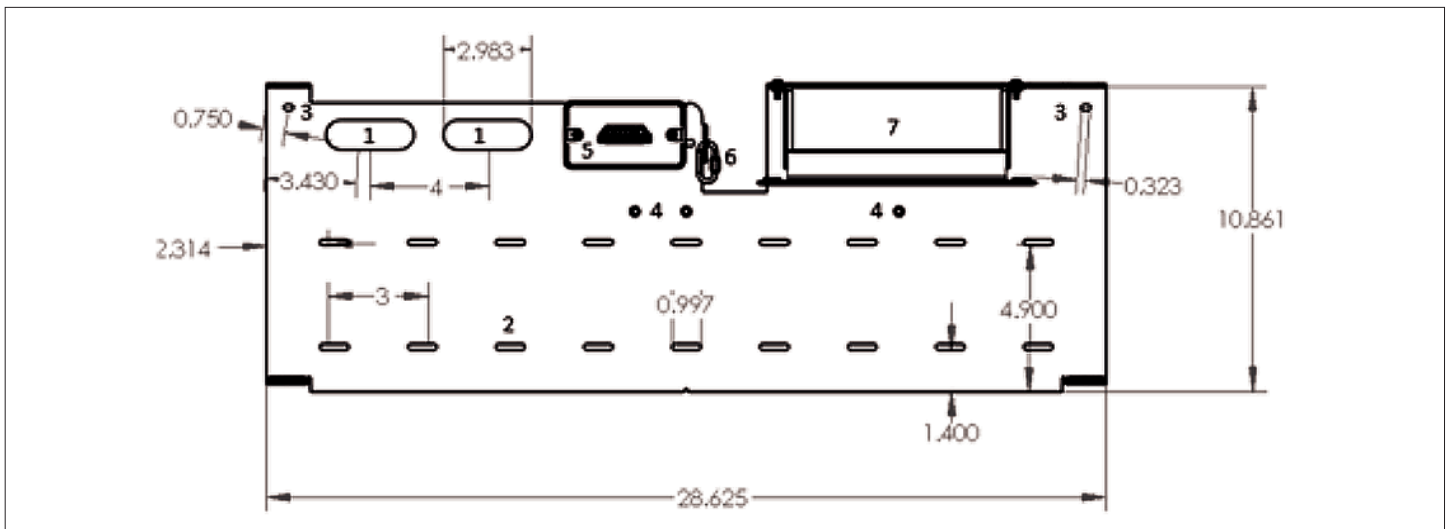


SPECIFICATIONS

Style	Roof Mount
Type	Roof w/ Curb Adapter (without physical curb)
Weight	35 lbs
Operating Current	5 Amps
Voltage	120 AC
Phase	1
Frequency	60 Hz
CFM + -2.5% (Low-High)	326 - 548
Pressure (In Water)	-0.39 - -1.09
dB(A) (Low-High)	63 - 75
Hood Outlet (Length-Height)	7 in (Dia)
Duct	50 ft
Fan Inlet	9 7/8 in (Dia)
Fan Outlet	20 in (Dia)
Control	Electronic Control Module (ECM)
Speeds	Variable

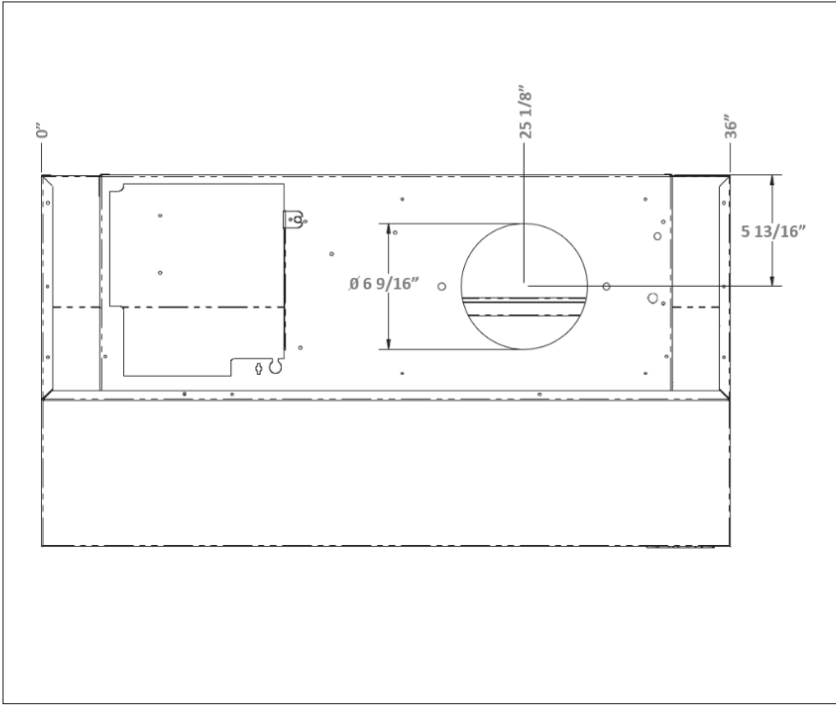
D1000-BPSI Layout	
1	Cut-outs for Wire Entry
2	Mounting Holes
3	Top Mounting Holes
4	1/4-20 Studs for Securing Hoods to D1000-BPSI
5	Handy box for Power In and Power Out
6	Quick Link Safety Cable Holder
7	Collar to Attach Duct Work (7" Dia. X 1" Height) (A Minimum of 6" length of 7" Dia. Duct is required before connecting an Inverter/Adapter)

TOP DISCHARGING MOUNTING BRACKET (D1000-BPSI)

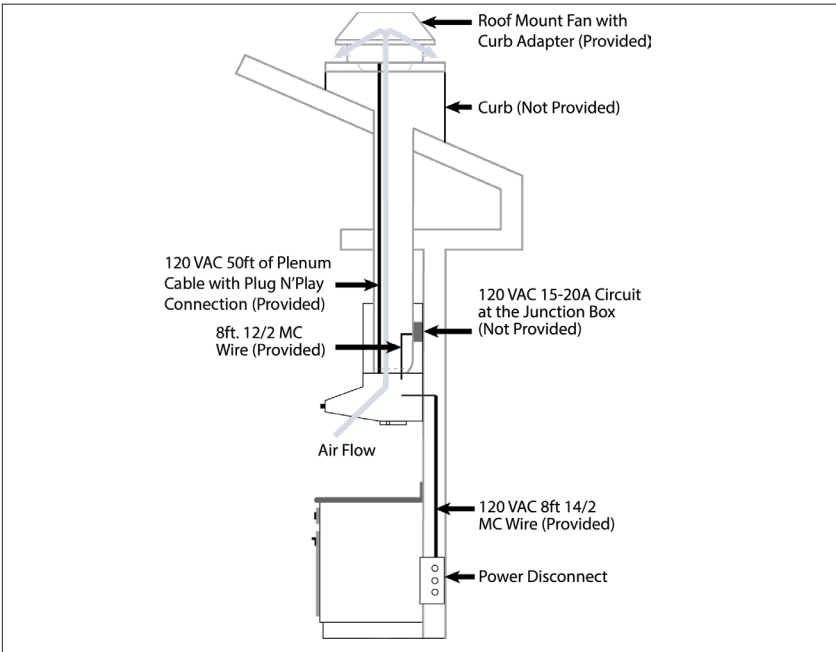


FAN: -D-RF-NFPA (PRO) 36"

DUCT LOCATION



SAMPLE EXHAUST LAYOUT



CLOCKBOX PRO™: -CLBX-PRO



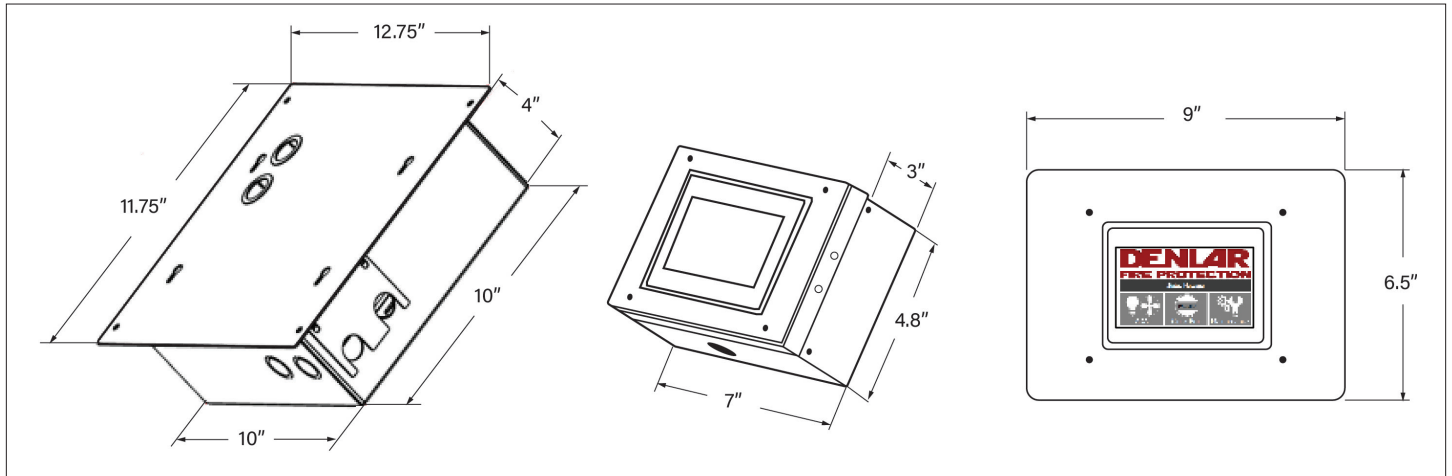
SPECIFICATIONS

Mounting	Surface Mount or Flush Mount
Weight	18 lbs
Voltage	120 VAC
Phase	1
Frequency	60 Hz
Breaker Size (Amps)	15 A
Operating Current (Amps)	0.1 A
Fuse (Amps)	1 A
Output Current Maximum (Amps)	10 A
Touch Screen Voltage	24 DC
Conduit	25 ft 16 mm Flexible ENT Conduit

FEATURES

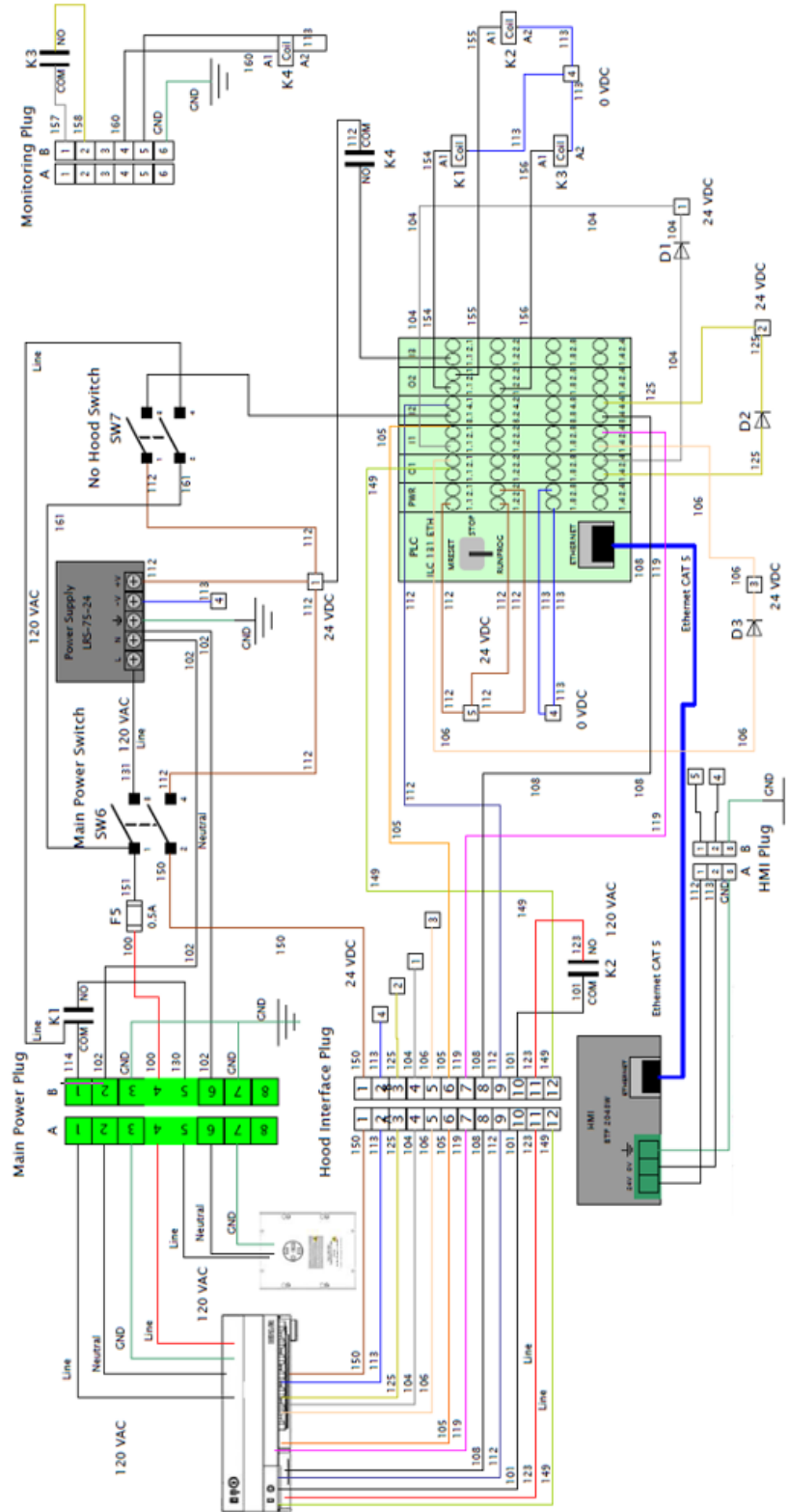
Two Hour Timer	Password Protected	Adjustable Time	Change Password	ADA Compatible	Language Selection	Input/Output To A Monitoring Station/ Alarm System	Interacts with Hood	Displays User Instructions	Displays Hood Faults	Locks Out if There is a Fault with the Hood
Y	Y	Y	Y	Y	Y	Y	Y	Y	Y	Y

UNIT DIMENSIONS



CLOCKBOX PRO™: -CLBX-PRO

SCHEMATIC



MANUAL PULL STATION: -MPK (D1000)

THE D1000-MPK COMES EQUIPPED WITH THE FOLLOWING



1x Enclosure 4" x 1.5"
Octagon Metal Box



1x Manual Pull
Station Face Plate



1x 1/2" ENT
Conduit Connector



3x 90 Degree
Corner Pulleys



1x 25' Stainless-Steel
Cable with Clevis Pin

The Manual Pull Station (D1000-MPK) is designed to discharge the D1000 Model when a user pulls the tab from the Manual Pull Station Face Plate. The D1000-MPK is provided with 25 feet Stainless-Steel Cable and with three 90 Degree Corner Pulleys. It is required to have 7-10 inches extra Stainless-Steel Cable at the Pull Station Box.

30" MODEL PULL-PIN LOCATION

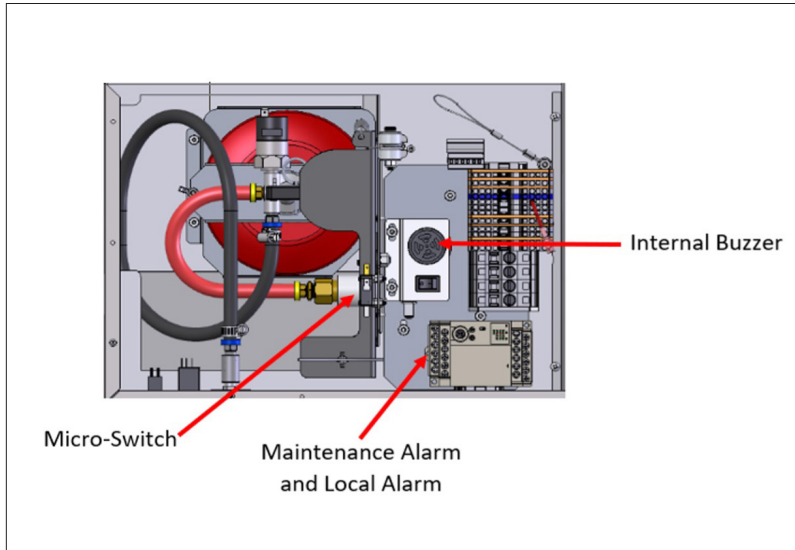


36" MODEL PULL-PIN LOCATION



ALARM: INTEGRATED TO D1000

ALARM LOCATION



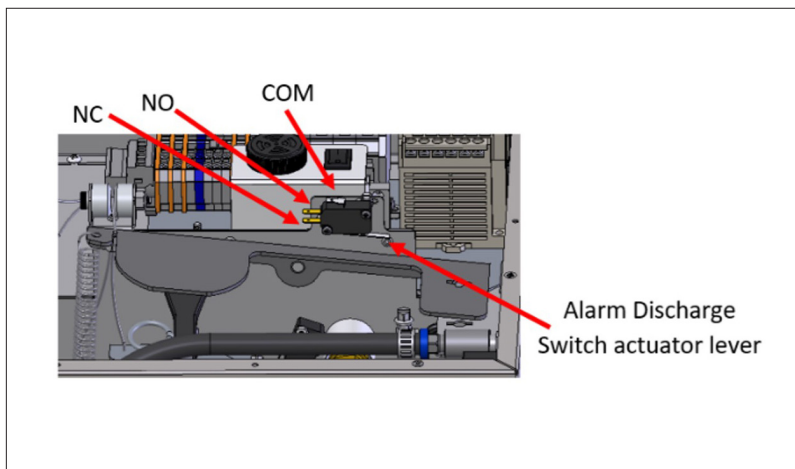
INTERNAL BUZZER SPECIFICATIONS

Type	Audible
Decibels	90
Location	Top center of main unit
Activates upon	Tank discharge hose disconnected, low pressure in tank, or high temp fault (190° F at hood)

MAINTENANCE ALARM SPECIFICATIONS

Type	Dry Contact
Type of Contacts	Com / NO
Contact Amperage	5 Amps
Location	PLC contacts C0 and Y0
Activates upon	Tank discharge hose disconnected, low pressure in tank, or high temp fault (190° F at hood)

MICRO-SWITCH LAYOUT



LOCAL ALARM SPECIFICATIONS

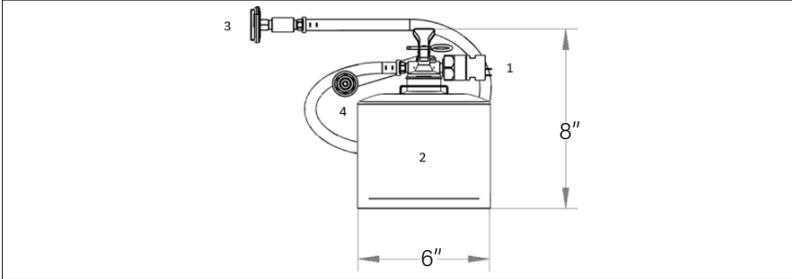
Type	Dry Contact
Type of Contacts	Com / NO
Contact Amperage	5 Amps
Location	PLC contacts C1 and Y1
Activates upon	Low pressure in tank, and high temp fault (190° F at hood)

MICRO-SWITCH SPECIFICATIONS

Type	Dry Contact
Type of Contacts	Com / NO / NC
Contact Amperage	15 Amps
Location	Above tank actuation paddle
Activates upon	Mechanical discharge of the tank

SUPPRESSION TANK: -TANK-FC/SA (D1000)

UNIT DIMENSIONS

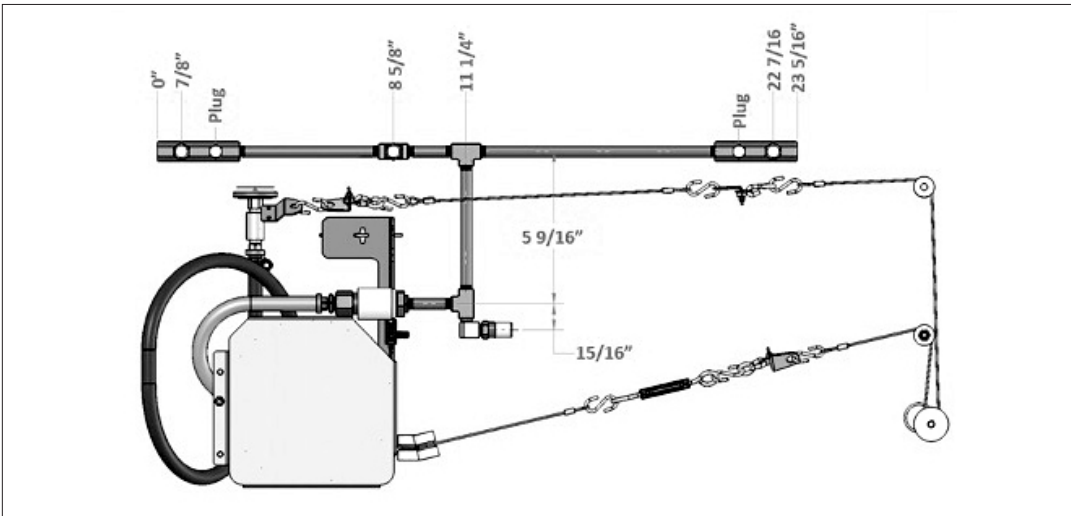


- | | |
|---|---|
| 1 | Tank is Equipped with a Pressure Switch which opens on discharge. |
| 2 | Tank is of Stainless Steel Construction. |
| 3 | Visual Pressure Gauge. |
| 4 | Discharge Hose with Quick Connect fitting attached. |

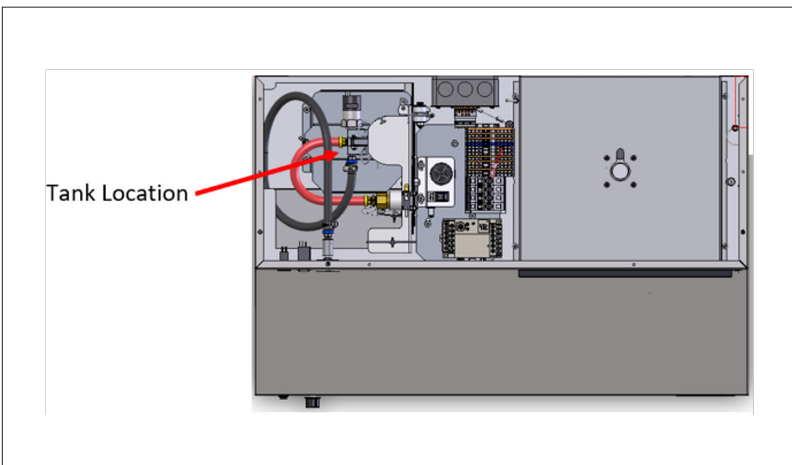
FC SPECIFICATIONS

Type	Self Contained Fire Suppression System
Compliance	UL-1995
Mounting Configuration	Integral to the hood
Weight	9.4 lbs
Vessel	Stainless Steel
Chemical Type	Amerex 660
Volume	1300 mL
Chemical Weight	2.2 lbs
Pressure (PSI) +-8%	102 PSI
Height	8 in
Width	6 in

NOZZLE PLACEMENT (PRE-INSTALLED IN HOOD)



TANK LOCATION



SA SPECIFICATIONS

Type	Self Contained Fire Suppression System
Compliance	UL-1995
Mounting Configuration	Integral to the hood
Weight	9.4 lbs
Vessel	Stainless Steel
Chemical Type	Amerex 660
Volume	1300 mL
Chemical Weight	2.2 lbs
Pressure (PSI) +-8%	Charge to 102 PSI on site
Height	8 in
Width	6 in