

### BASE MODEL: D1030-R

Job Name: \_\_\_\_\_ Date: \_\_\_\_\_ Mark: \_\_\_\_\_

Reference: \_\_\_\_\_ Unit Location: \_\_\_\_\_ Prepared By: \_\_\_\_\_

Engineer: \_\_\_\_\_ Contractor: \_\_\_\_\_ Approval: \_\_\_\_\_

Expected Job Date: \_\_\_\_\_ Notes: \_\_\_\_\_

#### MODEL FAN OPTIONS

Integral Fans:  **F** - Recirculating  **R** - Rear Discharging

Top Discharging External Fans:  **FBO** - Fan by Others Module  **IF** - Inline Fan  **RF** - Roof Mounted Fan  **WF** - Wall Mounted Fan

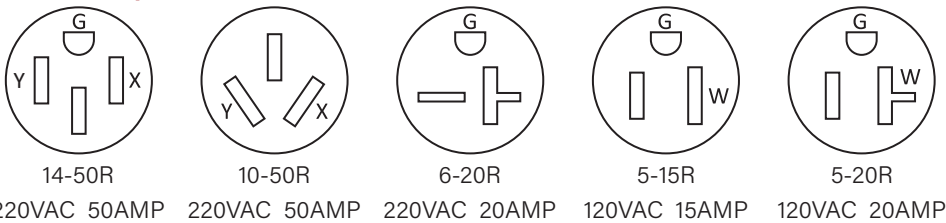
#### SELECT OPTIONAL ACCESSORIES

- |  |  |
|--|--|
| <input type="checkbox"/> <b>ADA:</b> ADA Fan/Light Control                                   | <input type="checkbox"/> <b>MACM:</b> Make-Up Air Control Module           |
| <input type="checkbox"/> <b>CLBX:</b> ClockBox   | <input type="checkbox"/> <b>LSC:</b> Limiting Speed Control Module         |
| <input type="checkbox"/> <b>CC:</b> Custom Color - (Stainless Standard) Specify Color: _____ | <input type="checkbox"/> <b>CLBX-PRO:</b> ClockBox Pro with integrated ADA |
| <input type="checkbox"/> <b>TANK-TEST:</b> Test Tank   | <input type="checkbox"/> <b>STROBE:</b> Horn and Light Strobe Alarm        |
| <input type="checkbox"/> <b>MPK:</b> Manual Pull Station                                     | <input type="checkbox"/> <b>PD4X:</b> Power Distribution Box               |
| <input type="checkbox"/> <b>D1030-TC-F/R:</b> Top Cover                                      |  |

#### RANGE FUEL SOURCE DISCONNECT OPTIONS (CHECK APPROPRIATE RECEPTACLE)

- |   |  |
|---|--|
| <input type="checkbox"/> <b>G:</b> 3/4" NPT Natural Gas (DED Needed if Electric Components Need to be Controlled on a Gas Range)                    | <input type="checkbox"/> <b>DED:</b> Dual Element (includes 3/4" NPT Natural Gas and Electric) -<br>○ 14-50R, 220VAC ○ 5-20R, 120VAC |
| <input checked="" type="checkbox"/> <b>E:</b> Electric -<br>○ 14-50R, 220VAC ○ 6-20R, 220VAC<br>○ 10-50R, 220VAC ○ 5-20R, 120VAC<br>○ 5-15R, 120VAC | <input type="checkbox"/> <b>DRD:</b> Dual Receptacle -<br>○ 6-20R, 220VAC ○ 5-15R, 120VAC ○ 5-20R, 120VAC                            |

#### ELECTRIC NEMA (RECEPTACLE) OPTIONS



Contact factory for any special circumstances

#### REQUIREMENTS

##### Hood shall:

- Be D1000 Series by DENLAR Fire Protection
- Be wall mounted so that the bottom of the mounting bracket sits 24" to 30" above the range
- Be of stainless-steel construction (#18 & #20 GA, polished 304) with no sharp edges and brushed finish
- Have factory installed fire suppression system
- Have 212° F degree fusible link (30") which will activate the mechanical fire suppression system
- Have wet chemical extinguishing agent: Low PH Amerex 660 (pressurized potassium citrate / potassium acetate mix)
- Have centrifugal fan with air delivery
- Be ETL listed, tested to UL300A standard
- Fan motor shall be permanently lubricated and meet UL507 standard
- Include a power disconnect for gas and/or electric appliances, deactivated at suppression system discharge
- Automatically disconnect range element once a certain pre-set temperature is reached or under particular predefined events or conditions
- Unit shall have multiple alarm contacts pre-installed (local, remote and trouble alarms) and an audible buzzer
- Lighting shall be by LED bulb

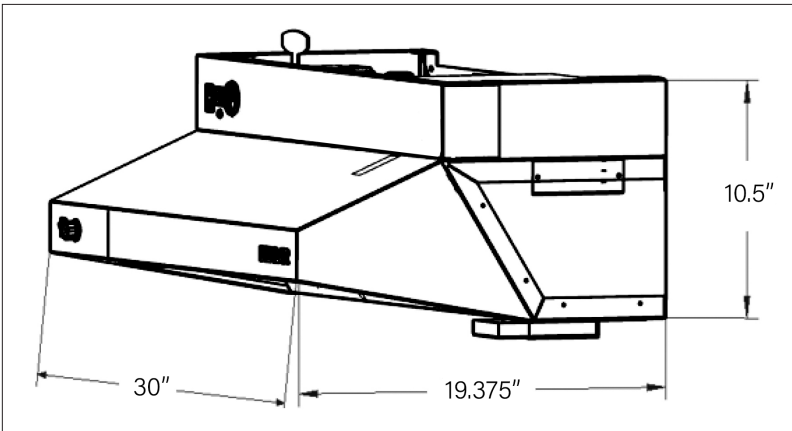
**BASE MODEL: D1030-R**



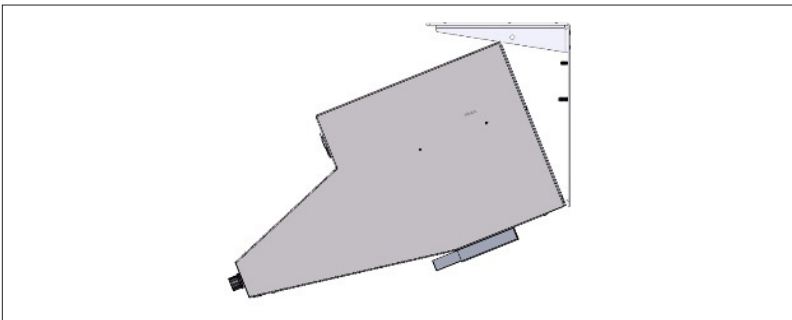
**GENERAL FEATURES**

- ETL/CSA listed
- 304 Brushed Stainless Steel
- Fail-Safe mechanical actuation
- Two step pre-suppression
- Plenum nozzle
- Main power switch and reset switch
- Service switch
- Pressure switch
- Pressure gauge
- Temperature switches
- Hard wired fuel source disconnect
- Dry alarm contacts
- On board diagnostics
- Status LED
- Trouble signal
- Service key
- Audible buzzer (90db)
- LED bulb
- Grease baffle with drip tray

**UNIT DIMENSIONS**



**REQUIRED FOR ALL MODELS**



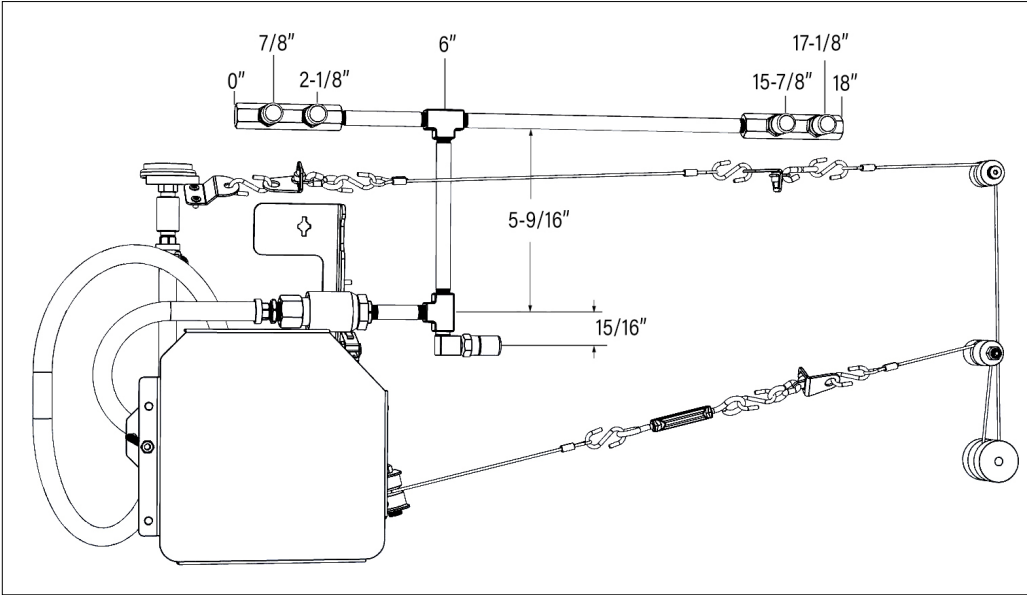
The main unit requires clearance to tilt to a 45° degree angle for maintenance purposes

**SPECIFICATIONS**

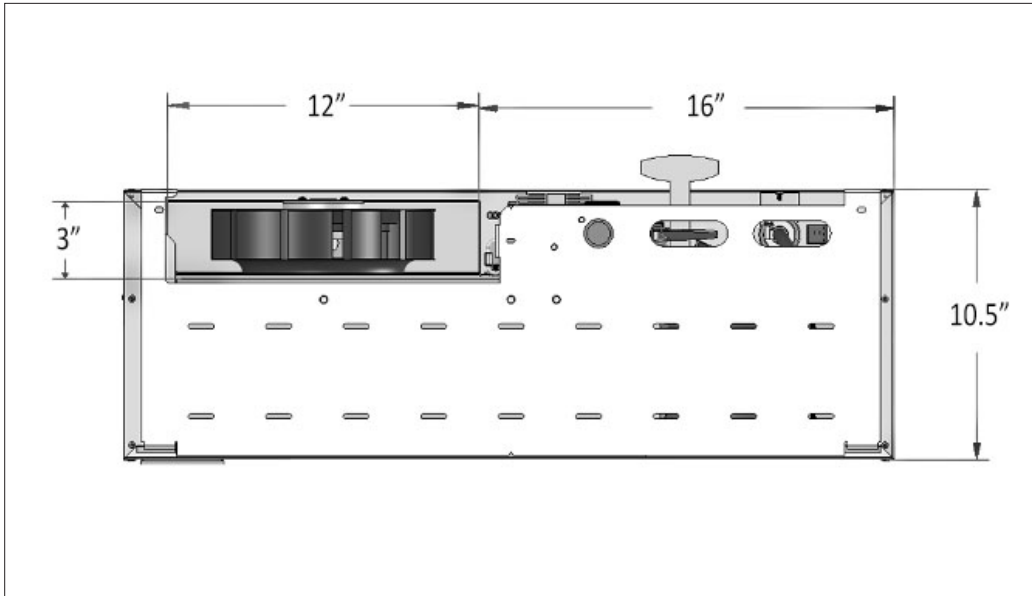
<b>Compliance</b>	UL300A, NSF, UL507
<b>Weight</b>	53.4 lbs
<b>Mounting Configuration</b>	Wall
<b>Min / Max Install Height Above Top of Residentail Range / Cook Top</b>	24" - 30"
<b>Voltage</b>	120 AC
<b>Phase</b>	1
<b>Hz</b>	60 Hz
<b>Amps</b>	3.15 Amps
<b>Circuit Breaker Size</b>	15-20 Amps
<b>Operating Current</b>	1.38 Amps
<b>Fan Operating Current</b>	0.87 Amps
<b>Output Operating Current</b>	0.25 to 0.5 Amps
<b>Input Wiring</b>	Power Cord
<b>Output Wiring</b>	14/2 MC Wire
<b>Fan Type</b>	Rear Discharging (Fan is Internal)
<b>MOCP</b>	15 Amps
<b>Duct Type</b>	See Local Codes
<b>Fire Control</b>	Programmable Logic Controller
<b>Tank Type</b>	Stainless Steel
<b>Tank Pressure</b>	102+ -8% Psi
<b>Tank Volume</b>	1300 mL
<b>Suppression Agent</b>	Low pH Wet Chemical Amerex 660
<b>No. of Nozzles / Spray</b>	5 / 60 Degree Conical
<b>Protection Device / Limit</b>	3 Globe Links / 212° F

**BASE MODEL: D1030-R**

**NOZZLE PLACEMENT**

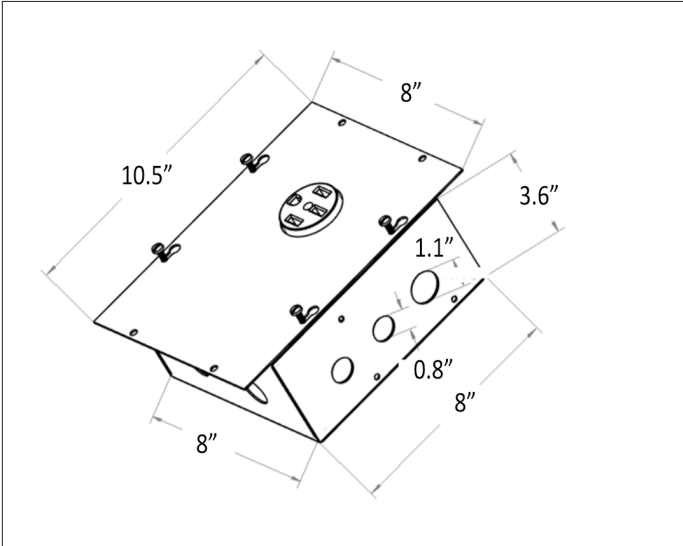


**EXHAUST CUTOUT LOCATION**



# ELECTRIC STOVE POWER SOURCE DISCONNECT: -E (D1000)

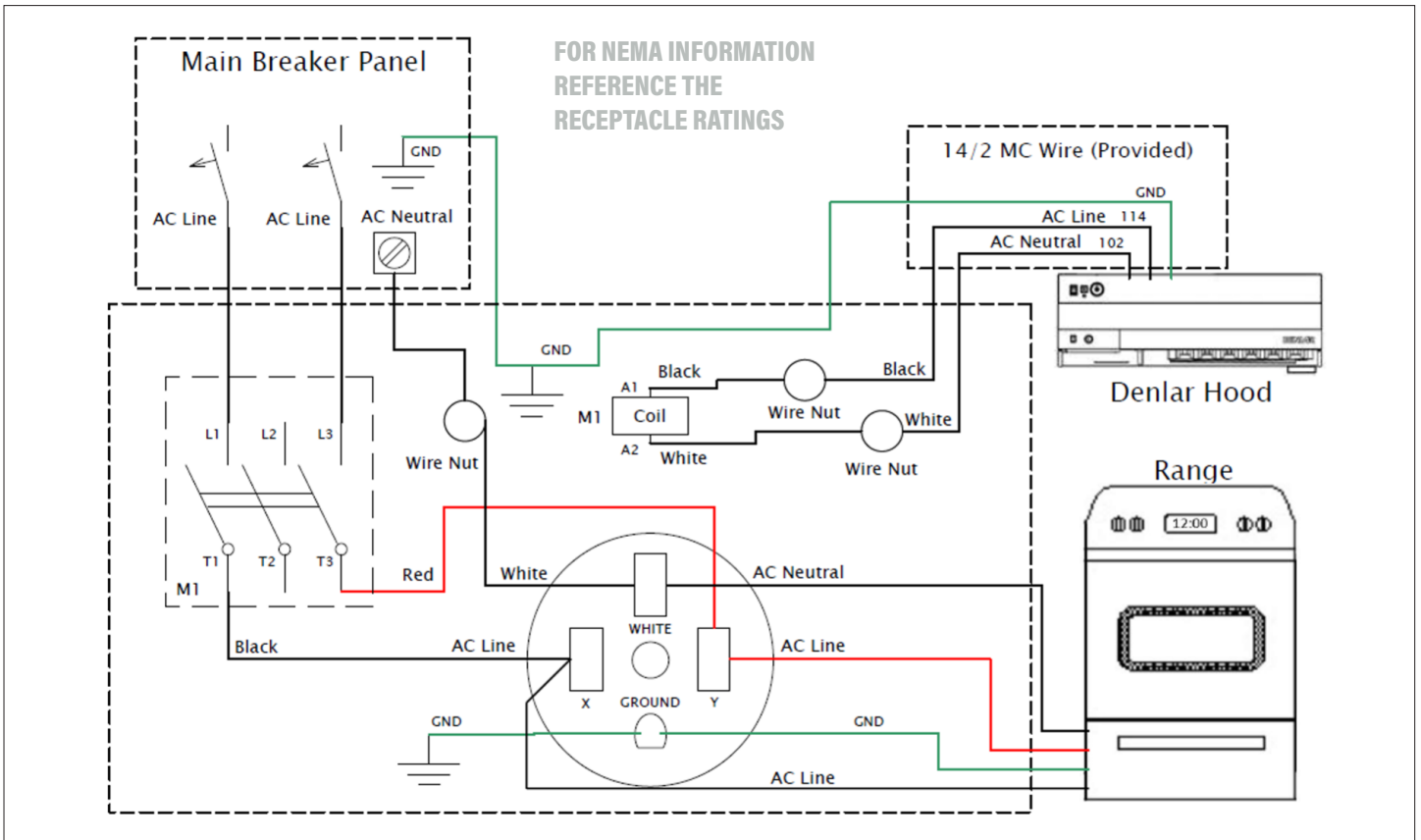
## ELECTRIC RECEPTACLE DIMENSIONS



## SPECIFICATIONS

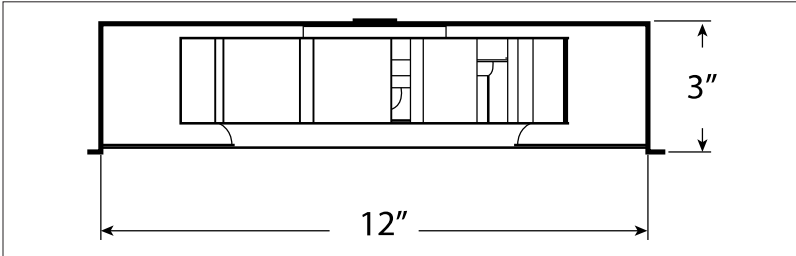
Models	-E-220 14-50	-E-220 10-50	-E 220 6-20	-E-120 5-20	-E-120 5-15
Weight	5.4 lbs.				
NEMA	14-50R	10-50R	6-20R	5-20R	5-15R
Output Volts	220 AC	220 AC	220 AC	120 AC	120 AC
Output Current	50 Amps	50 Amps	20 Amps	20 Amps	15 Amps
Coil Voltage	120				
Phase	1				
Frequency	60 Hz				
Fuse	0.5 Amps				
Fuse Type	5 X 20mm Cartridge				
Operating Current	0.25 Amps				
Material	Galvanized				
Mounting Type	Surface or flush mount				
Mounting Height	See local codes				

## SCHEMATIC

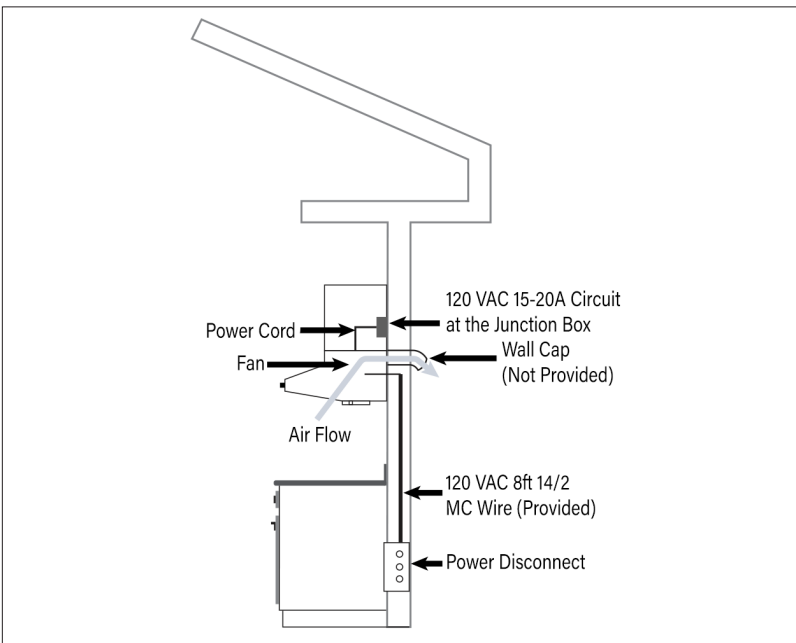


**FAN: -R (D1000) 30"**

**FAN 30" MODEL DIMENSIONS**



**REAR (DISCHARGING) LAYOUT**

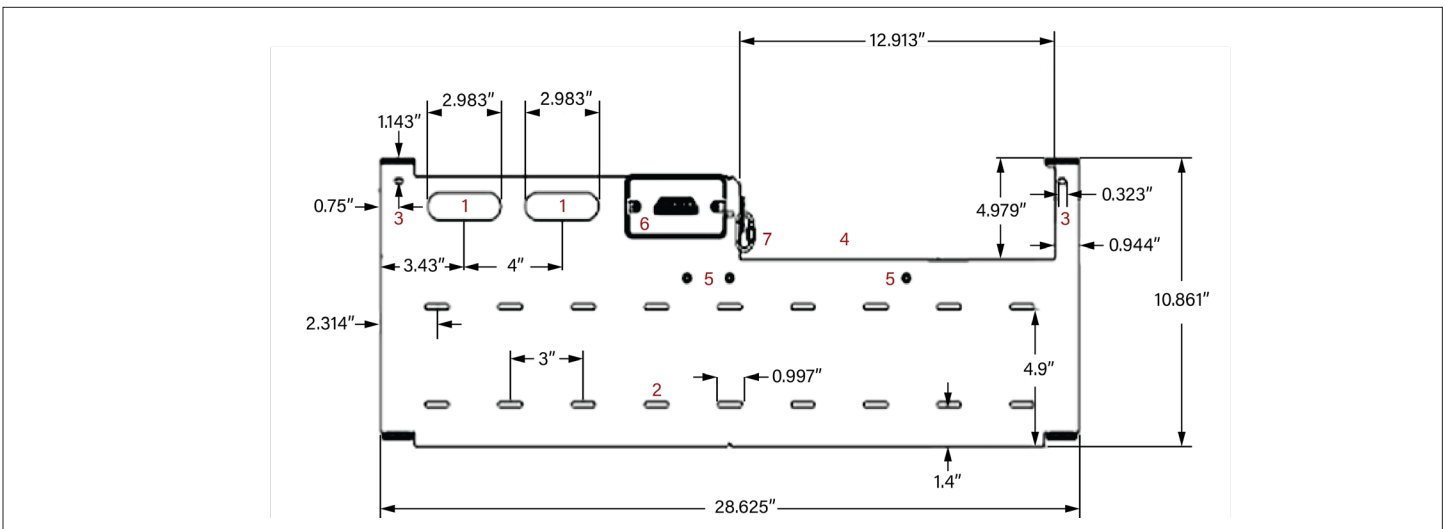


**SPECIFICATIONS**

<b>Style</b>	Rear Discharge
<b>Type</b>	Integral to Hood
<b>Weight</b>	6.25 lbs
<b>Operating Current</b>	0.8 Amps
<b>Voltage</b>	120 AC
<b>Phase</b>	1
<b>Frequency</b>	60 Hz
<b>CFM + -2.5% (Low-High)</b>	139-279
<b>Pressure (In Water)</b>	-0.09 - -0.17
<b>dB(A) (Low-High)</b>	62 - 70
<b>Hood Outlet (Length-Height)</b>	12 in x 3 in
<b>Duct</b>	4-24 in
<b>Fan Inlet</b>	6.5 in (Dia)
<b>Fan Outlet</b>	12 in x 3 in
<b>Control</b>	Electronic Control Module (ECM)
<b>Speeds</b>	Variable

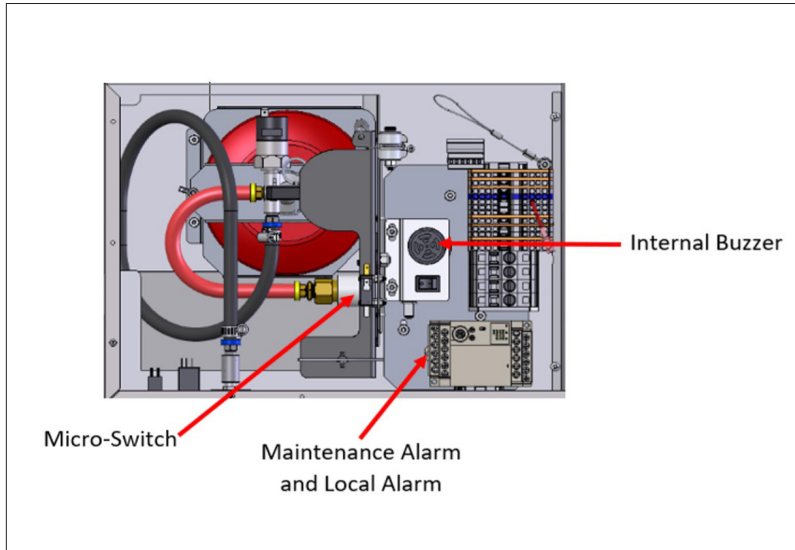
D1000-BPSF Layout	
1	Cut-outs for Wire Entry
2	Mounting Holes
3	Top Mounting Holes
4	Cut-out for Rear Exhaust Fan
5	1/4-20 Studs for Securing Hoods to D1000-BPSF
6	Handy Box for Power In and Power Out
7	Quick Link Safety Cable Holder

**TOP DISCHARGING MOUNTING BRACKET (D1000-BPSF)**



# ALARM: INTEGRATED TO D1000

## ALARM LOCATION



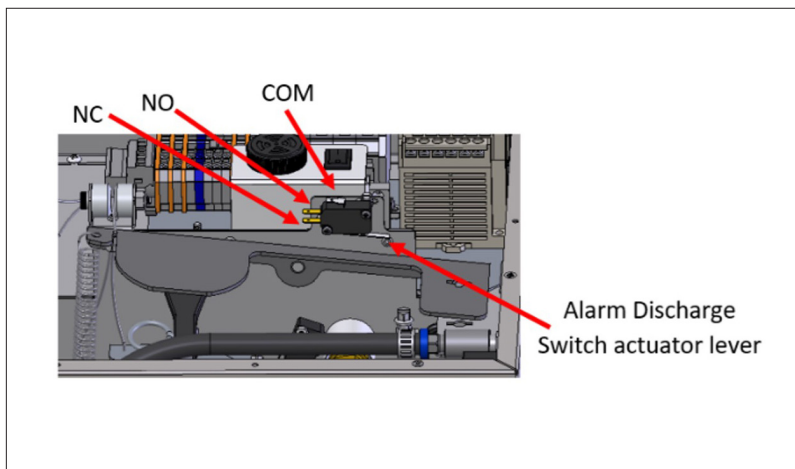
## INTERNAL BUZZER SPECIFICATIONS

Type	Audible
Decibels	90
Location	Top center of main unit
Activates upon	Tank discharge hose disconnected, low pressure in tank, or high temp fault (190° F at hood)

## MAINTENANCE ALARM SPECIFICATIONS

Type	Dry Contact
Type of Contacts	Com / NO
Contact Amperage	5 Amps
Location	PLC contacts C0 and Y0
Activates upon	Tank discharge hose disconnected, low pressure in tank, or high temp fault (190° F at hood)

## MICRO-SWITCH LAYOUT



## LOCAL ALARM SPECIFICATIONS

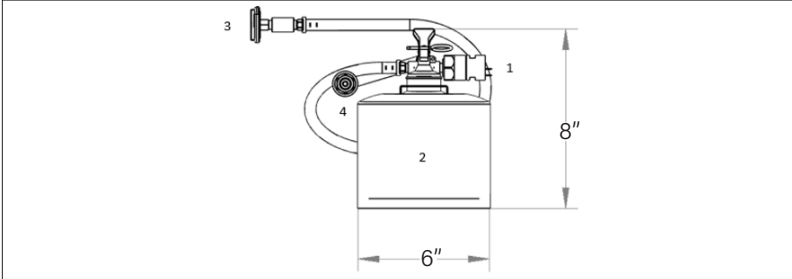
Type	Dry Contact
Type of Contacts	Com / NO
Contact Amperage	5 Amps
Location	PLC contacts C1 and Y1
Activates upon	Low pressure in tank, and high temp fault (190° F at hood)

## MICRO-SWITCH SPECIFICATIONS

Type	Dry Contact
Type of Contacts	Com / NO / NC
Contact Amperage	15 Amps
Location	Above tank actuation paddle
Activates upon	Mechanical discharge of the tank

# SUPPRESSION TANK: -TANK-FC/SA (D1000)

## UNIT DIMENSIONS

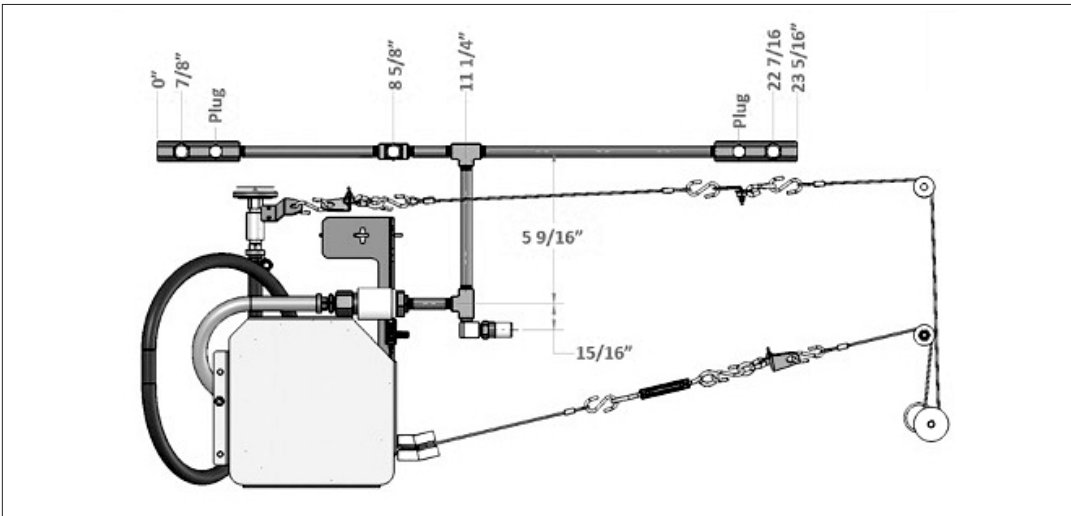


- |   |   |
|---|---|
| 1 | Tank is Equipped with a Pressure Switch which opens on discharge. |
| 2 | Tank is of Stainless Steel Construction.                          |
| 3 | Visual Pressure Gauge.  |
| 4 | Discharge Hose with Quick Connect fitting attached.               |

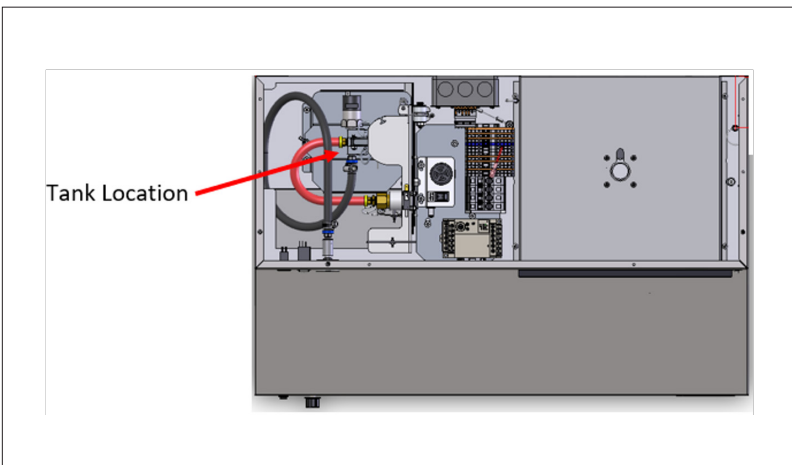
## FC SPECIFICATIONS

Type	Self Contained Fire Suppression System
Compliance	UL-1995
Mounting Configuration	Integral to the hood
Weight	9.4 lbs
Vessel	Stainless Steel
Chemical Type	Amerex 660
Volume	1300 mL
Chemical Weight	2.2 lbs
Pressure (PSI) +-8%	102 PSI
Height	8 in
Width	6 in

## NOZZLE PLACEMENT (PRE-INSTALLED IN HOOD)



## TANK LOCATION



## SA SPECIFICATIONS

Type	Self Contained Fire Suppression System
Compliance	UL-1995
Mounting Configuration	Integral to the hood
Weight	9.4 lbs
Vessel	Stainless Steel
Chemical Type	Amerex 660
Volume	1300 mL
Chemical Weight	2.2 lbs
Pressure (PSI) +-8%	Charge to 102 PSI on site
Height	8 in
Width	6 in