

MODEL SKU: D1036-R-NFPA-PRO

Job Name: _____ Date: _____ Mark: _____

Reference: _____ Unit Location: _____ Prepared By: _____

Engineer: _____ Contractor: _____ Approval: _____

Expected Job Date: _____ Notes: _____

MODEL FAN OPTIONS

Integral Fans: **F** - Recirculating **R** - Rear Discharging

Top Discharging External Fans: **FBO** - Fan by Others Module **IF** - Inline Fan **RF** - Roof Mounted Fan **WF** - Wall Mounted Fan

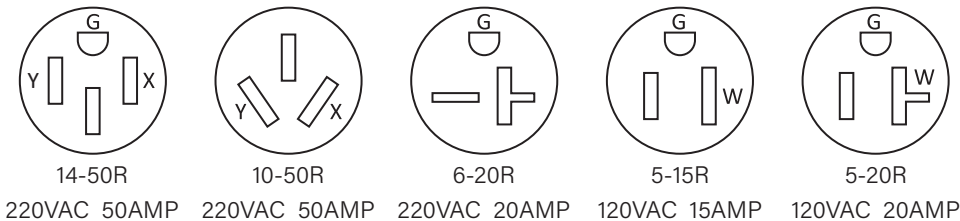
SELECT OPTIONAL ACCESSORIES

- ADA**: ADA Fan/Light Control
- CC**: Custom Color - (Stainless Standard) Specify Color: _____
- TANK-TEST**: Test Tank
- MPK**: Manual Pull Station
- MACM**: Make-Up Air Control Module
- CLBX-PRO**: Clockbox Pro with integrated ADA
- STROBE**: Horn and Light Strobe Alarm

RANGE FUEL SOURCE DISCONNECT OPTIONS (CHECK APPROPRIATE RECEPTACLE)

- G**: 3/4" NPT Natural Gas (DED Needed if Electric Components Need to be Controlled on a Gas Range)
- E**: Electric -
- 14-50R, 220VAC 6-20R, 220VAC
 10-50R, 220VAC 5-20R, 120VAC
 5-15R, 120VAC
- DED**: Dual Element (includes 3/4" NPT Natural Gas and Electric) -
- 14-50R, 220VAC 5-20R, 120VAC
- DRD**: Dual Receptacle -
- 6-20R, 220VAC 5-15R, 120VAC 5-20R, 120VAC

ELECTRIC NEMA (RECEPTACLE) OPTIONS



Contact factory for any special circumstances

REQUIREMENTS

Hood shall:

- Be D1000 Series by DENLAR Fire Protection
- Be wall mounted so that the bottom of the mounting bracket sits 30" to 36" above the range
- Be of stainless-steel construction (#18 & #20 GA, polished 304) with no sharp edges and brushed finish
- Have factory installed fire suppression system
- Have 280° F degree fusible link (36") which will activate the mechanical fire suppression system
- Have wet chemical extinguishing agent: Low PH Amerex 660 (pressurized potassium citrate / potassium acetate mix)
- Have centrifugal fan with air delivery
- Be ETL listed, tested to UL300A standard
- Fan motor shall be permanently lubricated and meet UL507 standard
- Include a power disconnect for gas and/or electric appliances, deactivated at suppression system discharge
- Automatically disconnect range element once a certain pre-set temperature is reached or under particular predefined events or conditions
- Unit shall have multiple alarm contacts pre-installed (local, remote and trouble alarms) and an audible buzzer
- Lighting shall be LED bulb

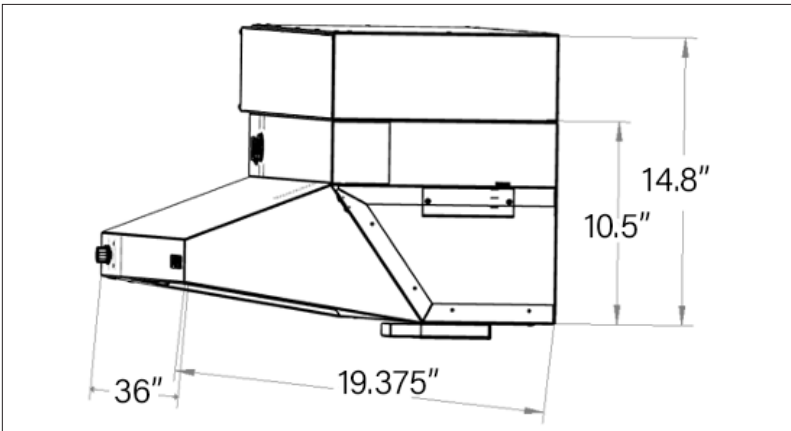
BASE MODEL: D1036-R-NFPA-PRO



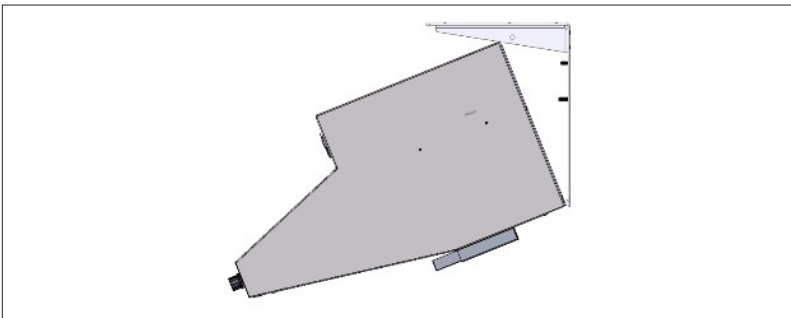
GENERAL FEATURES

- ETL/CSA listed
- 304 Brushed Stainless Steel
- Fail-Safe mechanical actuation
- Two step pre-suppression
- Plenum nozzle
- Main power switch and reset switch
- Service switch
- Pressure switch
- Pressure gauge
- Temperature switches
- Hard wired fuel source disconnect
- Dry alarm contacts
- On board diagnostics
- Status LED
- Trouble signal
- Service key
- Audible buzzer (90db)
- LED bulb
- Grease baffle with drip tray
- Integrated ADA light and fan controls through ClockBox Pro

UNIT DIMENSIONS



REQUIRED FOR ALL MODELS



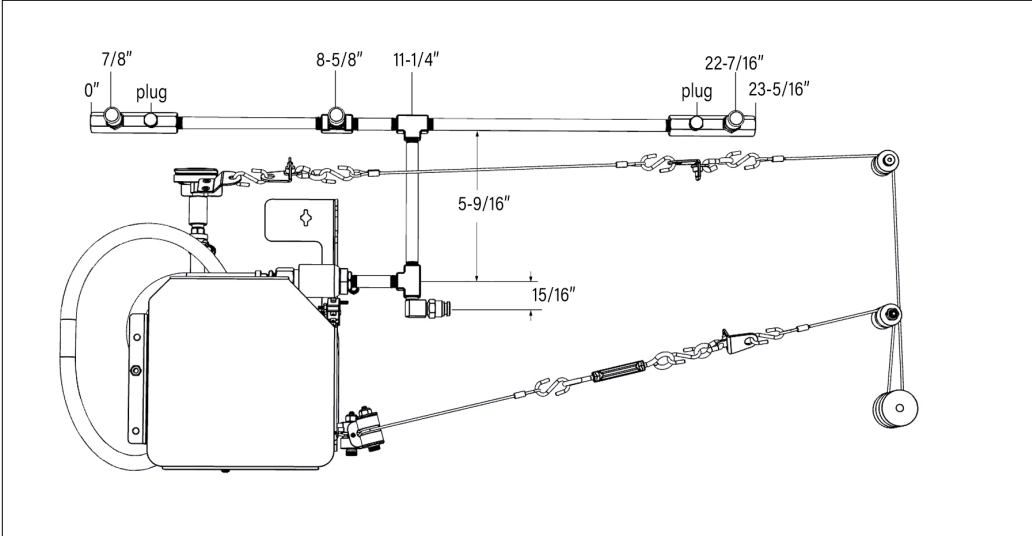
The main unit requires clearance to tilt to a 45° degree angle for maintenance purposes

SPECIFICATIONS

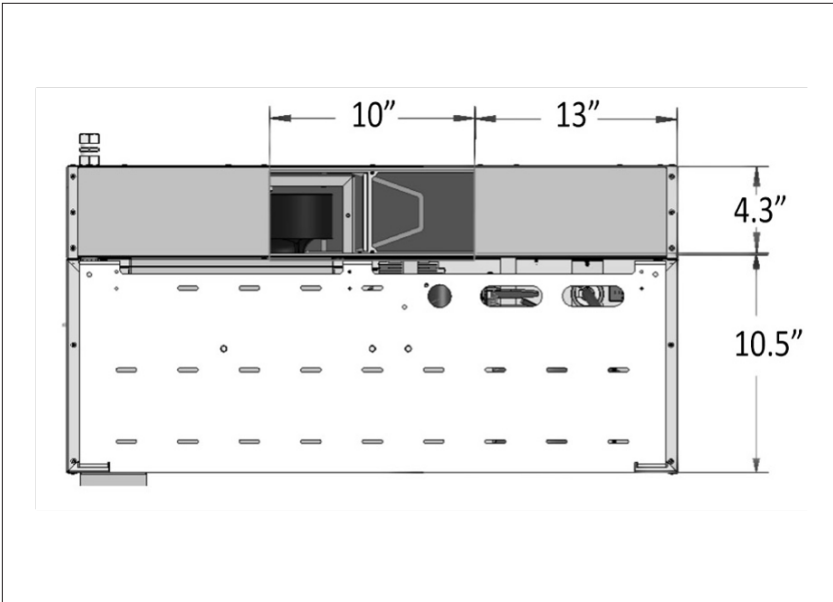
| | |
|---|--|
| Compliance | UL300A, NSF, UL507, NFPA101, and ADA compliant |
| Weight | 78.8 lbs |
| Min / Max Install Height Above Top of Residential Range / Cook Top | 30" - 36" |
| Voltage | 120 AC |
| Phase | 1 |
| Hz | 60 Hz |
| Amps | 4 Amps |
| Circuit Breaker Size | 15-20 Amps |
| Operating Current | 3.7 Amps |
| Fan Operating Current | 3.45 Amps |
| Output Operating Current | 0.25 to 0.5 Amps |
| Input Wiring | Power Cord |
| Output Wiring | 14/2 MC Wire |
| Fan Type | Rear Discharging, (Fan is Internal) |
| MOCP | 15 Amps |
| Duct Type | See Local Codes |
| Fire Control | Programmable Logic Controller |
| Tank Type | Stainless Steel |
| Tank Pressure | 102+/-8% Psi |
| Tank Volume | 1300 mL |
| Suppression Agent | Low pH Wet Chemical Amerex 660 |
| No. of Nozzles / Spray | 4 / 60 Degree Conical |
| Protection Device / Limit | 3 Globe Links / 280° F |

BASE MODEL: D1036-R-NFPA-PRO

NOZZLE PLACEMENT

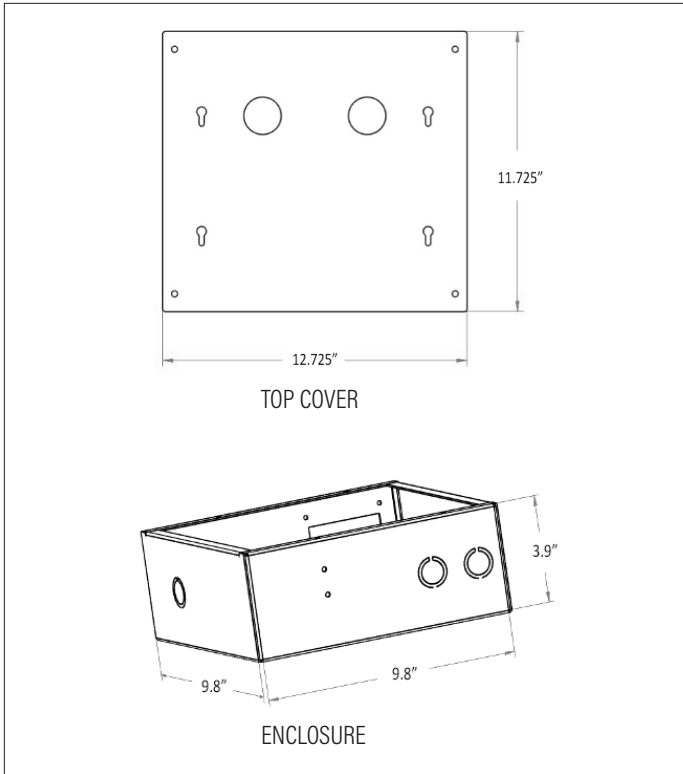


R-NFPA EXHAUST



DUAL RECEPTACLE POWER SOURCE DISCONNECT: -DRD (D1000)

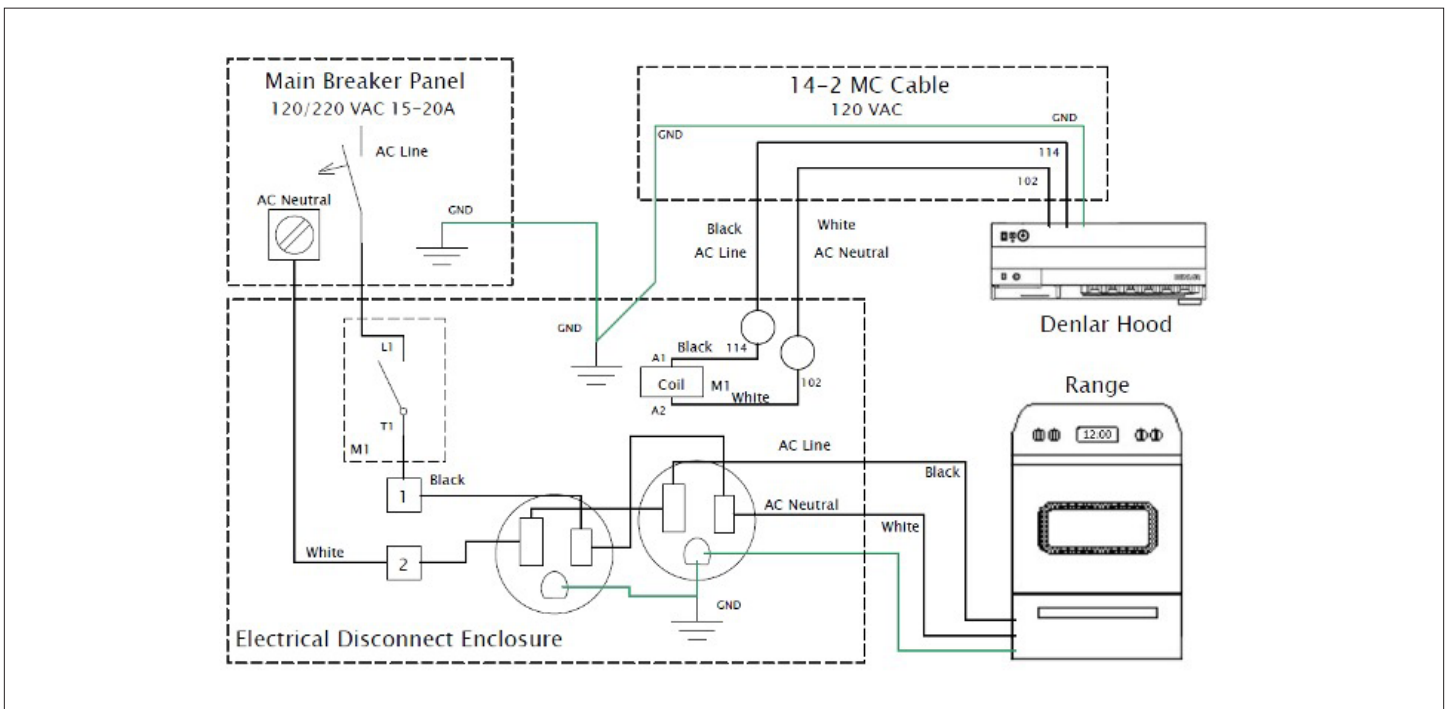
RECEPTACLE DIMENSIONS



SPECIFICATIONS

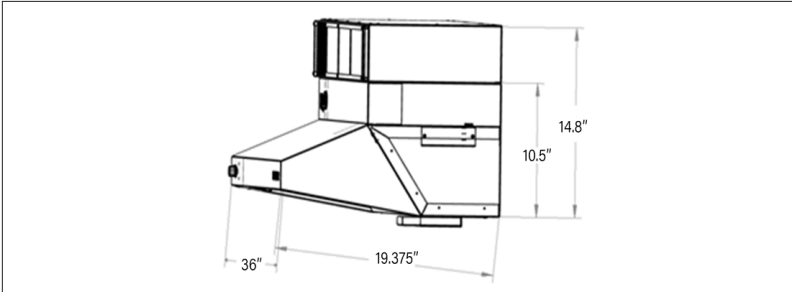
| Models | -DRD 6-20 | -DRD 5-20 | -DRD 5-15 |
|-------------------|--------------------|-----------|-----------|
| NEMA | 6-20R | 5-20R | 5-15R |
| Output Volts | 220 AC | 120 AC | 120 AC |
| Output Current | 20 Amps | 20 Amps | 15 Amps |
| Coil Voltage | 120 AC | | |
| Phase | 1 | | |
| Material | Galvanized | | |
| Frequency | 60 Hz | | |
| Fuse | 0.5 Amps | | |
| Fuse Type | 5 X 20mm cartridge | | |
| Operating Current | 0.25 Amps | | |

SCHEMATIC

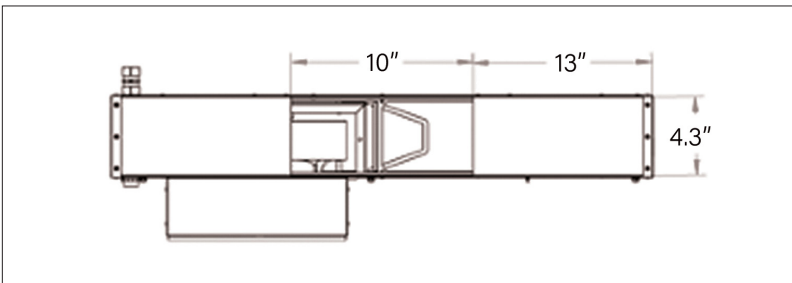


FAN: -R-NFPA (PRO) 36"

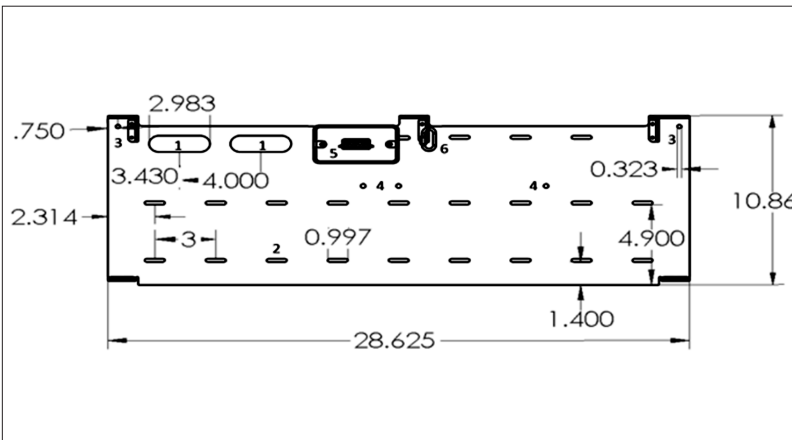
UNIT DIMENSIONS



36" EXHAUST FAN REAR VIEW DIMENSIONS



TOP DISCHARGING MOUNTING BRACKET (D1000-BPSF-NFPA)

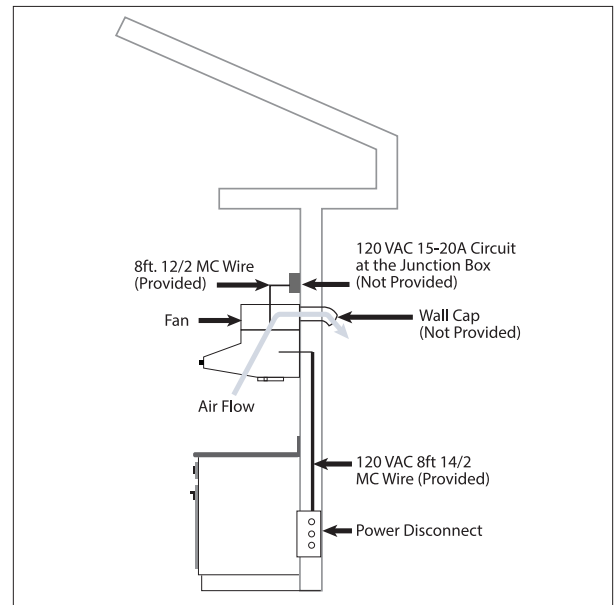


| Back Plate Support Layout | |
|---------------------------|--|
| 1 | Cut-outs for Wire Entry |
| 2 | Mounting Holes |
| 3 | Top Mounting Holes |
| 4 | 1/4-20 Studs for Securing Hoods to D1000-BPSF-NFPA |
| 5 | Handy box for Power In and Power Out |
| 6 | Quick Link Safety Cable Holder |

SPECIFICATIONS

| | |
|------------------------|---------------------------------|
| Style | Rear Discharge |
| Type | Integral to Hood |
| Weight | 22 lbs |
| Operating Current | 3.1 Amps |
| Voltage | 120 AC |
| Phase | 1 |
| Frequency | 60 Hz |
| CFM + -2.5% (Low-High) | 174 - 519 |
| Pressure (In Water) | -0.25 - -1.35 |
| dBA (Low-High) | 60 - 80 |
| Hood Outlet (LxH) | 10 in x 4.25 in |
| Duct | 4 in - 24 in |
| Fan Inlet | 9.8 in x 9.7 in |
| Fan Outlet | 10 in x 4.25 in |
| Control | Electronic Control Module (ECM) |
| Speeds | Variable |

SAMPLE EXHAUST LAYOUT



CLOCKBOX PRO™: -CLBX-PRO



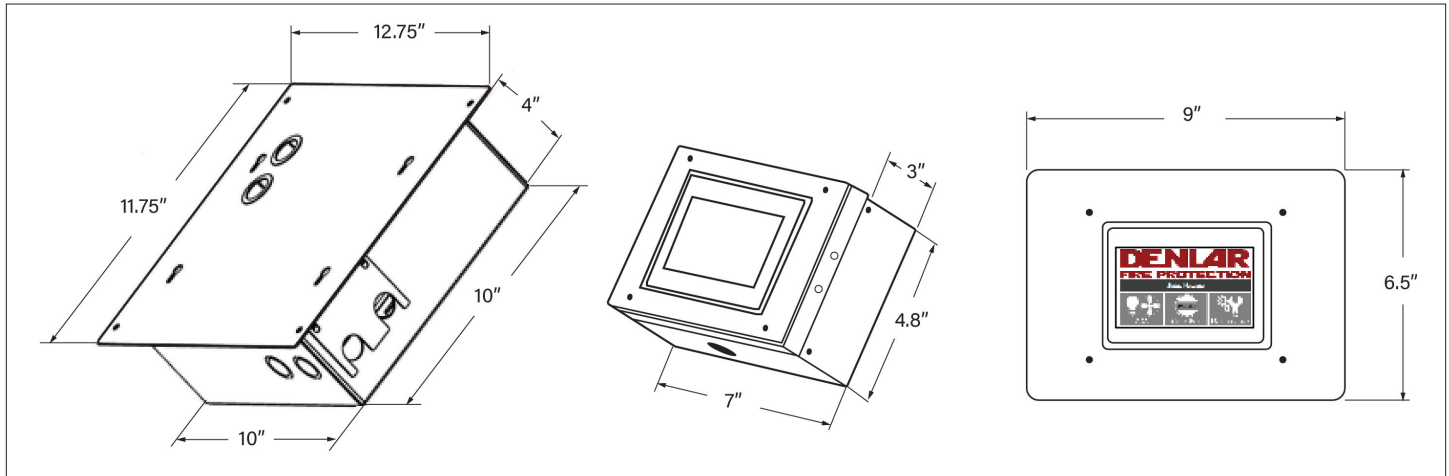
SPECIFICATIONS

| | |
|-------------------------------|----------------------------------|
| Mounting | Surface Mount or Flush Mount |
| Weight | 18 lbs |
| Voltage | 120 VAC |
| Phase | 1 |
| Frequency | 60 Hz |
| Breaker Size (Amps) | 15 A |
| Operating Current (Amps) | 0.1 A |
| Fuse (Amps) | 1 A |
| Output Current Maximum (Amps) | 10 A |
| Touch Screen Voltage | 24 DC |
| Conduit | 25 ft 16 mm Flexible ENT Conduit |

FEATURES

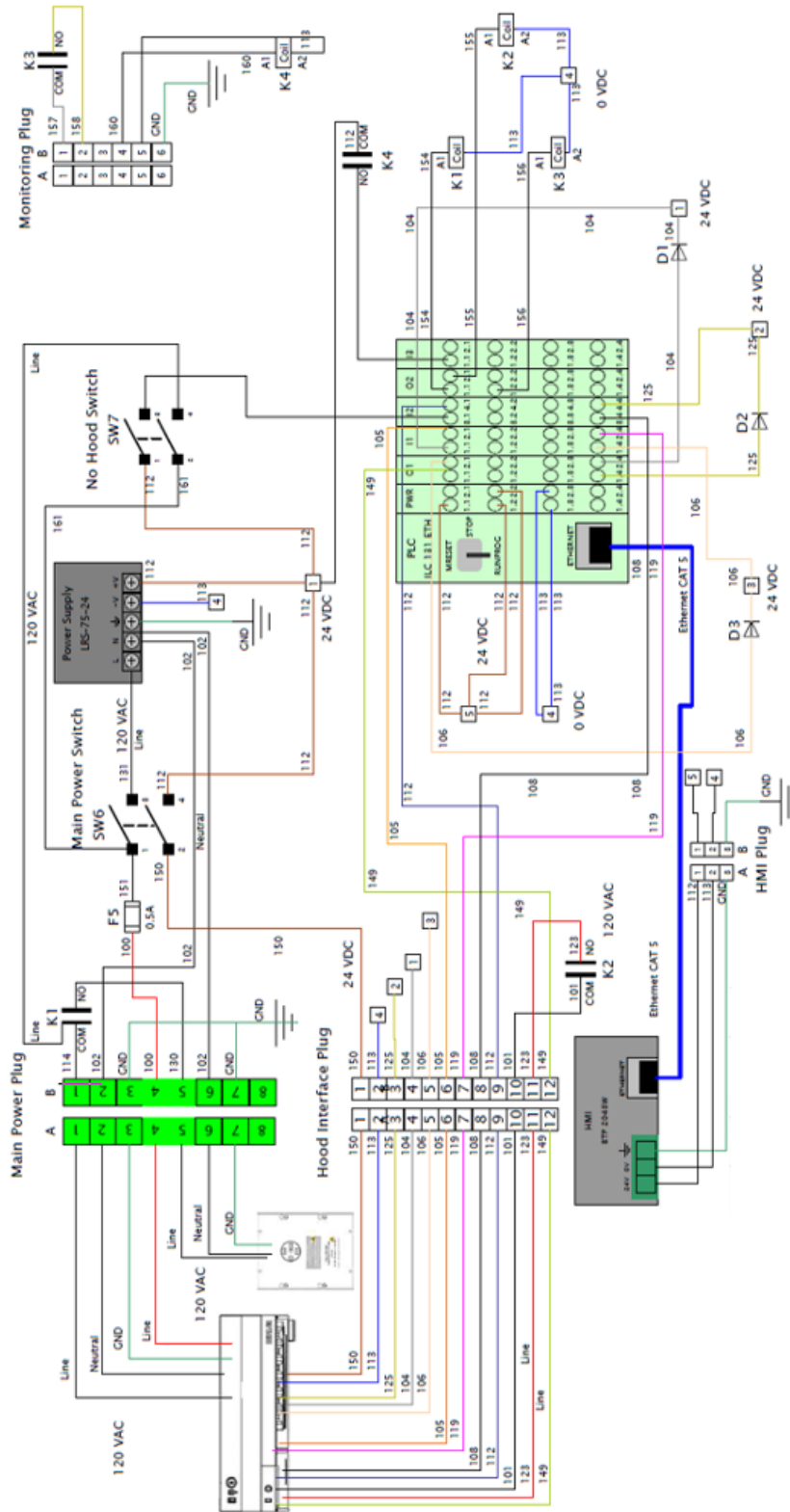
| Two Hour Timer | Password Protected | Adjustable Time | Change Password | ADA Compatible | Language Selection | Input/Output To A Monitoring Station/ Alarm System | Interacts with Hood | Displays User Instructions | Displays Hood Faults | Locks Out if There is a Fault with the Hood |
|----------------|--------------------|-----------------|-----------------|----------------|--------------------|--|---------------------|----------------------------|----------------------|---|
| Y | Y | Y | Y | Y | Y | Y | Y | Y | Y | Y |

UNIT DIMENSIONS



CLOCKBOX PRO™: -CLBX-PRO

SCHEMATIC



MANUAL PULL STATION: -MPK (D1000)

THE D1000-MPK COMES EQUIPPED WITH THE FOLLOWING



1x Enclosure 4" x 1.5"
Octagon Metal Box



1x Manual Pull
Station Face Plate



1x 1/2" ENT
Conduit Connector



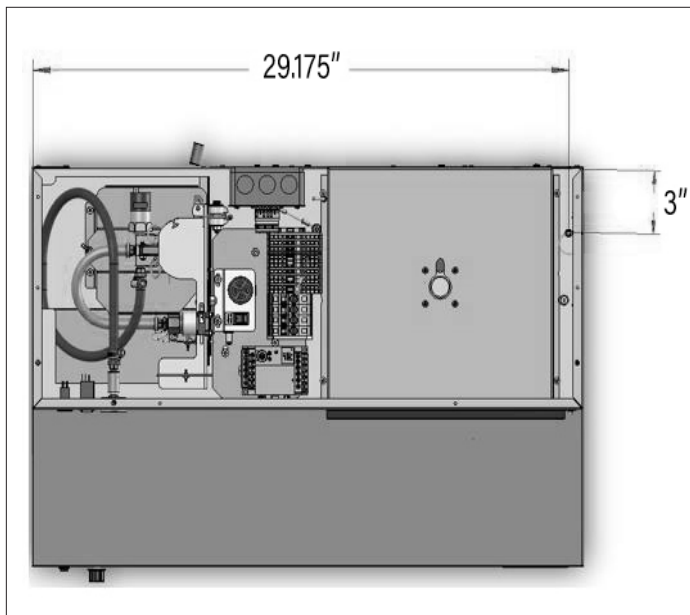
3x 90 Degree
Corner Pulleys



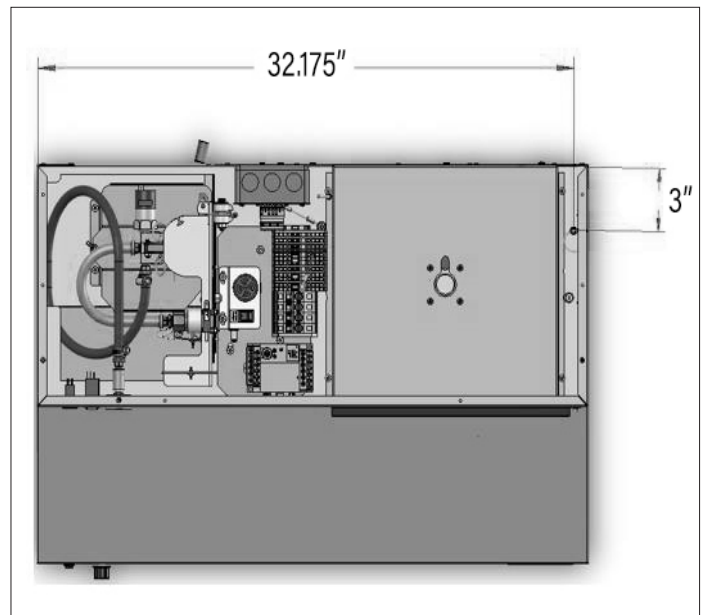
1x 25' Stainless-Steel
Cable with Clevis Pin

The Manual Pull Station (D1000-MPK) is designed to discharge the D1000 Model when a user pulls the tab from the Manual Pull Station Face Plate. The D1000-MPK is provided with 25 feet Stainless-Steel Cable and with three 90 Degree Corner Pulleys. It is required to have 7-10 inches extra Stainless-Steel Cable at the Pull Station Box.

30" MODEL PULL-PIN LOCATION

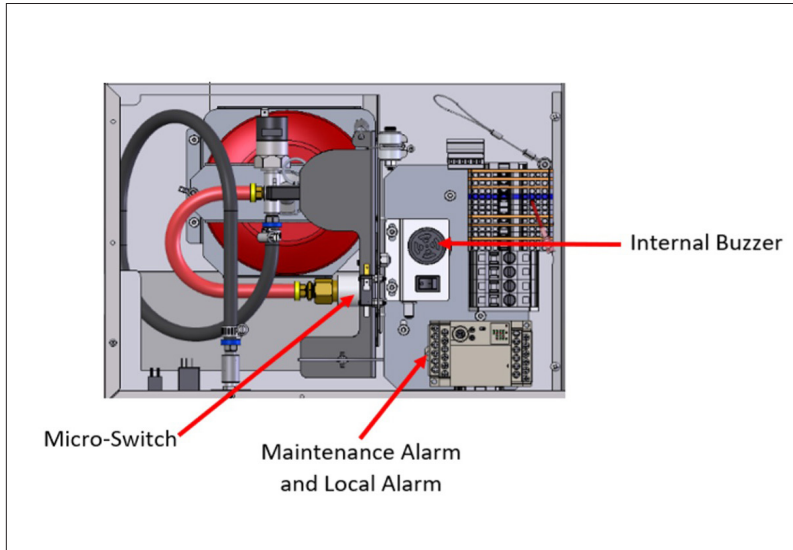


36" MODEL PULL-PIN LOCATION



ALARM: INTEGRATED TO D1000

ALARM LOCATION



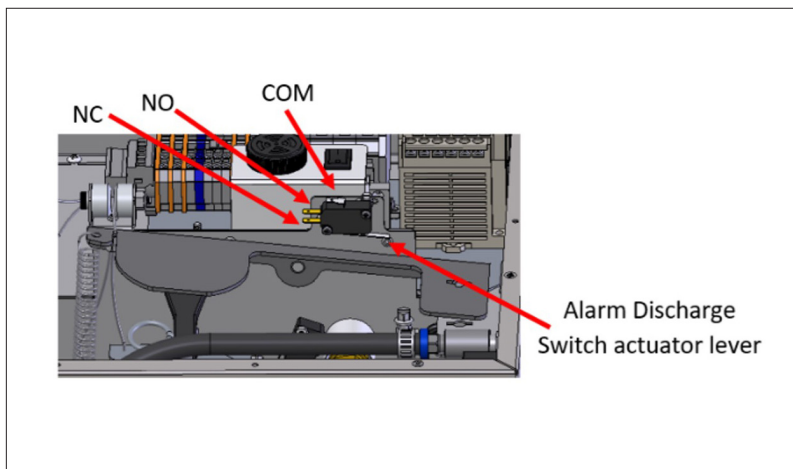
INTERNAL BUZZER SPECIFICATIONS

| | |
|----------------|---|
| Type | Audible |
| Decibels | 90 |
| Location | Top center of main unit |
| Activates upon | Tank discharge hose disconnected, low pressure in tank, or high temp fault (190° F at hood) |

MAINTENANCE ALARM SPECIFICATIONS

| | |
|------------------|---|
| Type | Dry Contact |
| Type of Contacts | Com / NO |
| Contact Amperage | 5 Amps |
| Location | PLC contacts C0 and Y0 |
| Activates upon | Tank discharge hose disconnected, low pressure in tank, or high temp fault (190° F at hood) |

MICRO-SWITCH LAYOUT



LOCAL ALARM SPECIFICATIONS

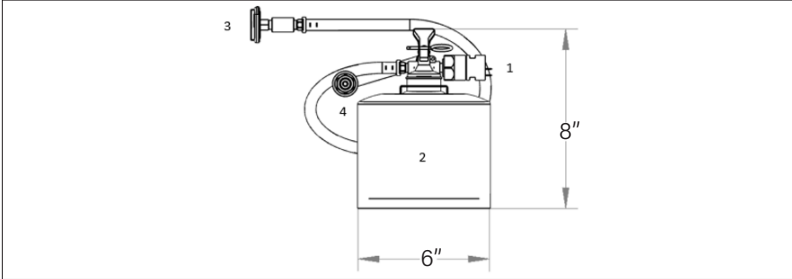
| | |
|------------------|--|
| Type | Dry Contact |
| Type of Contacts | Com / NO |
| Contact Amperage | 5 Amps |
| Location | PLC contacts C1 and Y1 |
| Activates upon | Low pressure in tank, and high temp fault (190° F at hood) |

MICRO-SWITCH SPECIFICATIONS

| | |
|------------------|----------------------------------|
| Type | Dry Contact |
| Type of Contacts | Com / NO / NC |
| Contact Amperage | 15 Amps |
| Location | Above tank actuation paddle |
| Activates upon | Mechanical discharge of the tank |

SUPPRESSION TANK: -TANK-FC/SA (D1000)

UNIT DIMENSIONS

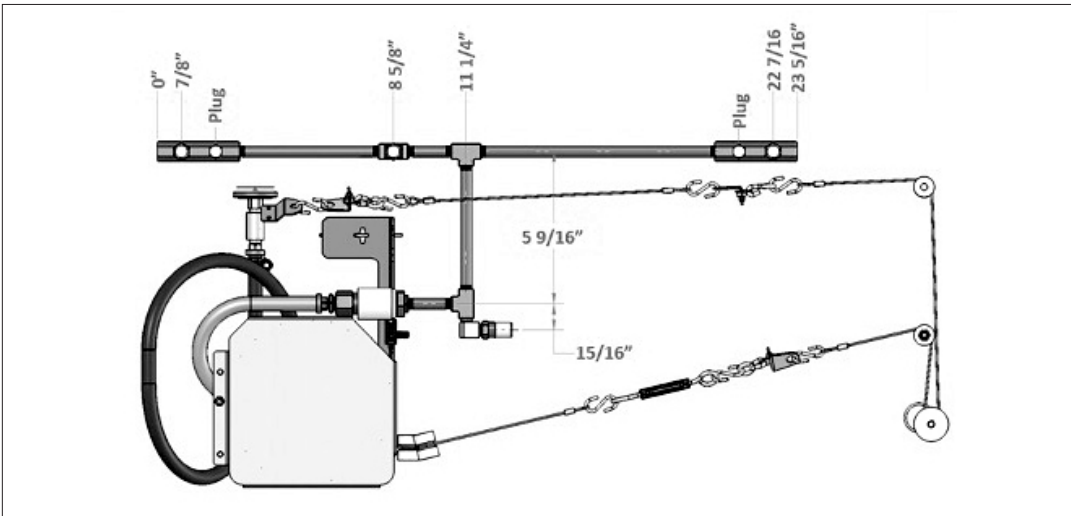


- | | |
|---|---|
| 1 | Tank is Equipped with a Pressure Switch which opens on discharge. |
| 2 | Tank is of Stainless Steel Construction. |
| 3 | Visual Pressure Gauge. |
| 4 | Discharge Hose with Quick Connect fitting attached. |

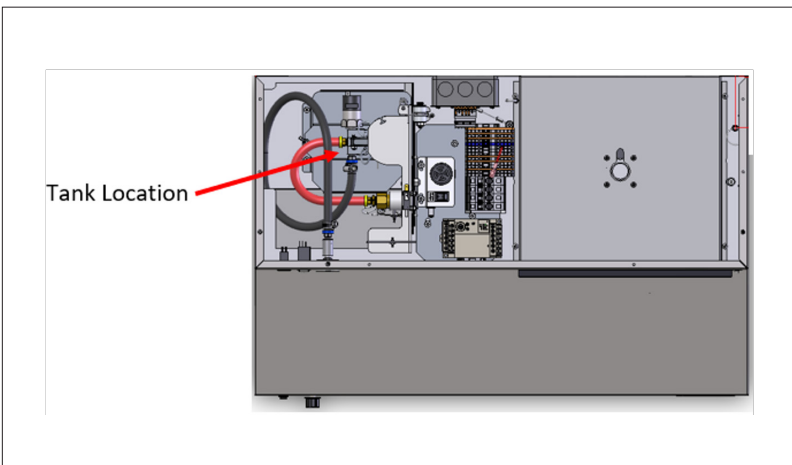
FC SPECIFICATIONS

| | |
|------------------------|--|
| Type | Self Contained Fire Suppression System |
| Compliance | UL-1995 |
| Mounting Configuration | Integral to the hood |
| Weight | 9.4 lbs |
| Vessel | Stainless Steel |
| Chemical Type | Amerex 660 |
| Volume | 1300 mL |
| Chemical Weight | 2.2 lbs |
| Pressure (PSI) +-8% | 102 PSI |
| Height | 8 in |
| Width | 6 in |

NOZZLE PLACEMENT (PRE-INSTALLED IN HOOD)



TANK LOCATION



SA SPECIFICATIONS

| | |
|------------------------|--|
| Type | Self Contained Fire Suppression System |
| Compliance | UL-1995 |
| Mounting Configuration | Integral to the hood |
| Weight | 9.4 lbs |
| Vessel | Stainless Steel |
| Chemical Type | Amerex 660 |
| Volume | 1300 mL |
| Chemical Weight | 2.2 lbs |
| Pressure (PSI) +-8% | Charge to 102 PSI on site |
| Height | 8 in |
| Width | 6 in |