

BASE MODEL: D1030-D-WF-NFPA

Job Name: _____ Date: _____ Mark: _____

Reference: _____ Unit Location: _____ Prepared By: _____

Engineer: _____ Contractor: _____ Approval: _____

Expected Job Date: _____ Notes: _____

MODEL FAN OPTIONS

Integral Fans: **F** - Recirculating **R** - Rear Discharging

Top Discharging External Fans: **FBO** - Fan by Others Module **IF** - Inline Fan **RF** - Roof Mounted Fan **WF** - Wall Mounted Fan

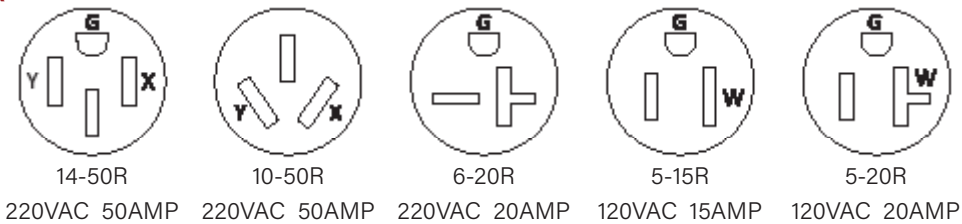
SELECT OPTIONAL ACCESSORIES

- | | |
|--|---|
| <input type="checkbox"/> ADA: ADA Fan/Light Control | <input type="checkbox"/> D1030-TC-D: Top Cover |
| <input checked="" type="checkbox"/> CLBX: ClockBox | <input type="checkbox"/> MACM: Make-Up Air Control Module |
| <input type="checkbox"/> CC: Custom Color - (Stainless Standard) Specify Color: _____ | <input type="checkbox"/> STROBE: Horn and Light Strobe Alarm |
| <input type="checkbox"/> TANK-TEST: Test Tank | <input type="checkbox"/> PD4X: Power Distribution Box |
| <input checked="" type="checkbox"/> MPK: Manual Pull Station | |

RANGE FUEL SOURCE DISCONNECT OPTIONS (CHECK APPROPRIATE RECEPTACLE)

- | | |
|---|--|
| <input type="checkbox"/> G: 3/4" NPT Natural Gas (DED Needed if Electric Components Need to be Controlled on a Gas Range) | <input type="checkbox"/> DED: Dual Element (includes 3/4" NPT Natural Gas and Electric) - ○ 14-50R, 220VAC ○ 5-20R, 120VAC |
| <input checked="" type="checkbox"/> E: Electric - ○ 14-50R, 220VAC ○ 6-20R, 220VAC ○ 10-50R, 220VAC ○ 5-20R, 120VAC ○ 5-15R, 120VAC | <input type="checkbox"/> DRD: Dual Receptacle - ○ 6-20R, 220VAC ○ 5-15R, 120VAC ○ 5-20R, 120VAC |

ELECTRIC NEMA (RECEPTACLE) OPTIONS



Contact factory for any special circumstances

REQUIREMENTS

Hood shall:

- Be D1000 Series by DENLAR Fire Protection
- Be wall mounted so that the bottom of the mounting bracket sits 24" to 30" above the range
- Be of stainless-steel construction (#18 & #20 GA, polished 304) with no sharp edges and brushed finish
- Have factory installed fire suppression system
- Have 212° F degree fusible link (30") which will activate the mechanical fire suppression system
- Have wet chemical extinguishing agent: Low PH Amerex 660 (pressurized potassium citrate / potassium acetate mix)
- Have centrifugal fan with air delivery
- Be ETL listed, tested to UL300A standard
- Fan motor shall be permanently lubricated and meet UL507 standard
- Include a power disconnect for gas and/or electric appliances, deactivated at suppression system discharge
- Automatically disconnect range element once a certain pre-set temperature is reached or under particular predefined events or conditions
- Unit shall have multiple alarm contacts pre-installed (local, remote and trouble alarms) and an audible buzzer
- Lighting shall be by LED bulb

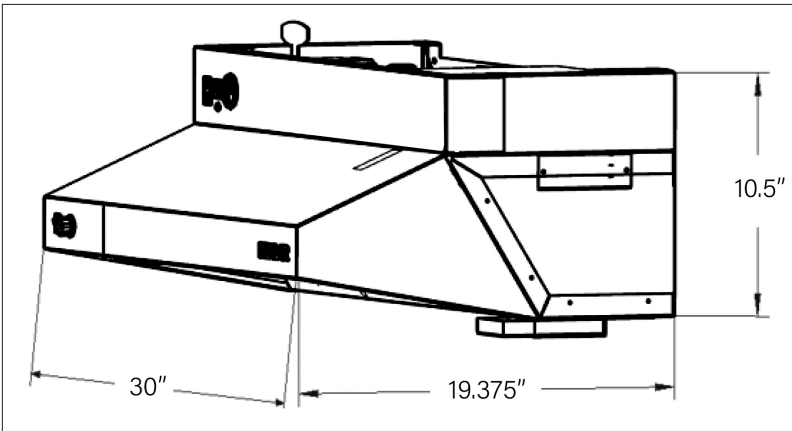
BASE MODEL: D1030-D-WF-NFPA



GENERAL FEATURES

- ETL/CSA listed
- 304 Brushed Stainless Steel
- Fail-Safe mechanical actuation
- Two step pre-suppression
- Plenum nozzle
- Main power switch and reset switch
- Service switch
- Pressure switch
- Pressure gauge
- Temperature switches
- Hard wired fuel source disconnect
- Dry alarm contacts
- On board diagnostics
- Status LED
- Trouble signal
- Service key
- Audible buzzer (90db)
- LED bulb
- Grease baffle with drip tray

UNIT DIMENSIONS



REQUIRED FOR ALL MODELS



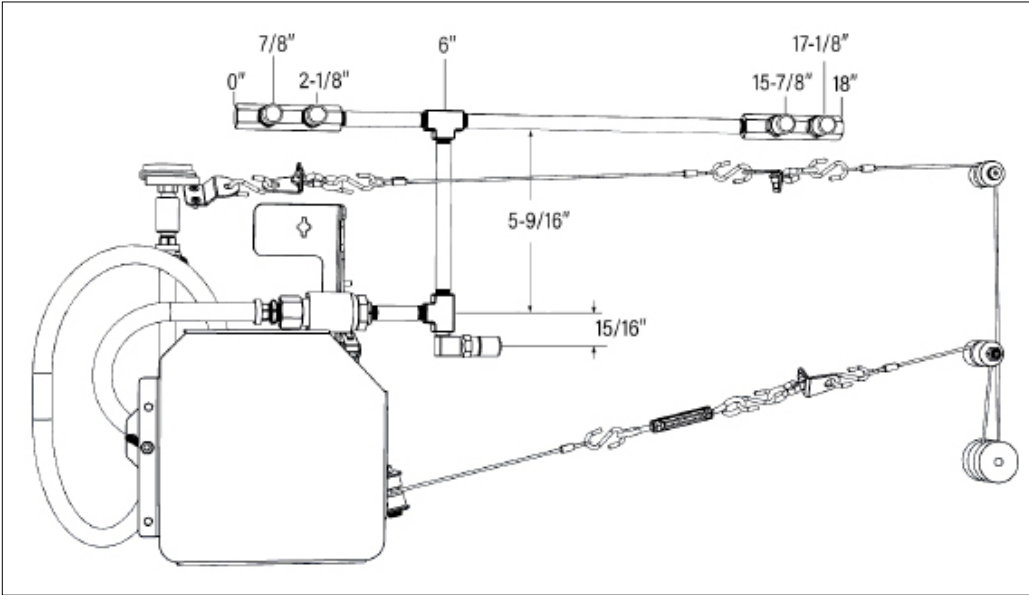
The main unit requires clearance to tilt to a 45° degree angle for maintenance purposes

SPECIFICATIONS

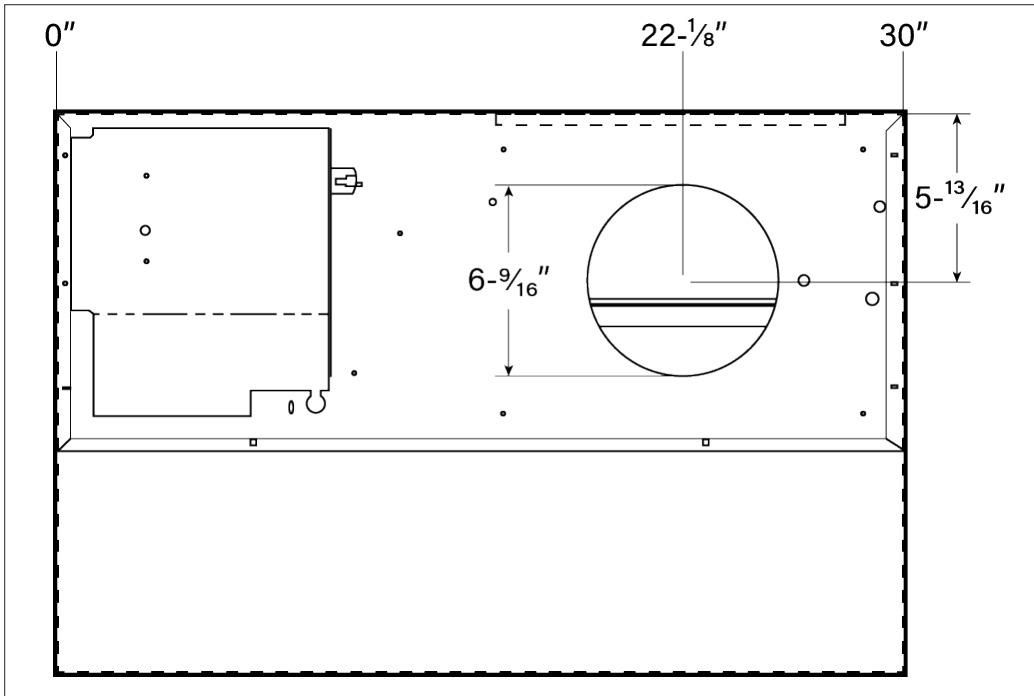
| | |
|---|---|
| Compliance | UL300A, NSF, UL507, and NFPA101 compliant |
| Weight | 53.4 lbs |
| Mounting Configuration | Wall |
| Min / Max Install Height Above Top of Residential Range / Cook Top | 24" - 30" |
| Voltage | 120 AC |
| Phase | 1 |
| Hz | 60 Hz |
| Amps | 4 Amps |
| Circuit Breaker Size | 15-20 Amps |
| Operating Current | 3.7 Amps |
| Fan Operating Current | 3.45 Amps |
| Output Operating Current | 0.25 to 0.5 Amps |
| Input Wiring | Power Cord |
| Output Wiring | 14/2 MC Wire |
| Fan Type | Wall Mounted Fan (Fan is External) |
| MOCP | 15 Amps |
| Duct Type | See Local Codes |
| Fire Control | Programmable Logic Controller |
| Tank Type | Stainless Steel |
| Tank Pressure | 102+/-8% Psi |
| Tank Volume | 1300 mL |
| Suppression Agent | Low pH Wet Chemical Amerex 660 |
| No. of Nozzles / Spray | 5 / 60 Degree Conical |
| Protection Device / Limit | 3 Globe Links / 212° F |

BASE MODEL: D1030-D-WF-NFPA

NOZZLE PLACEMENT

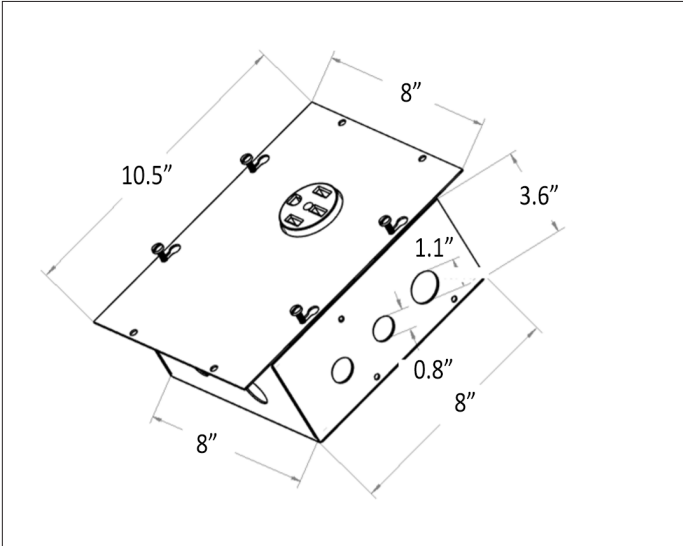


TOP DUCTED EXHAUST



ELECTRIC STOVE POWER SOURCE DISCONNECT: -E (D1000)

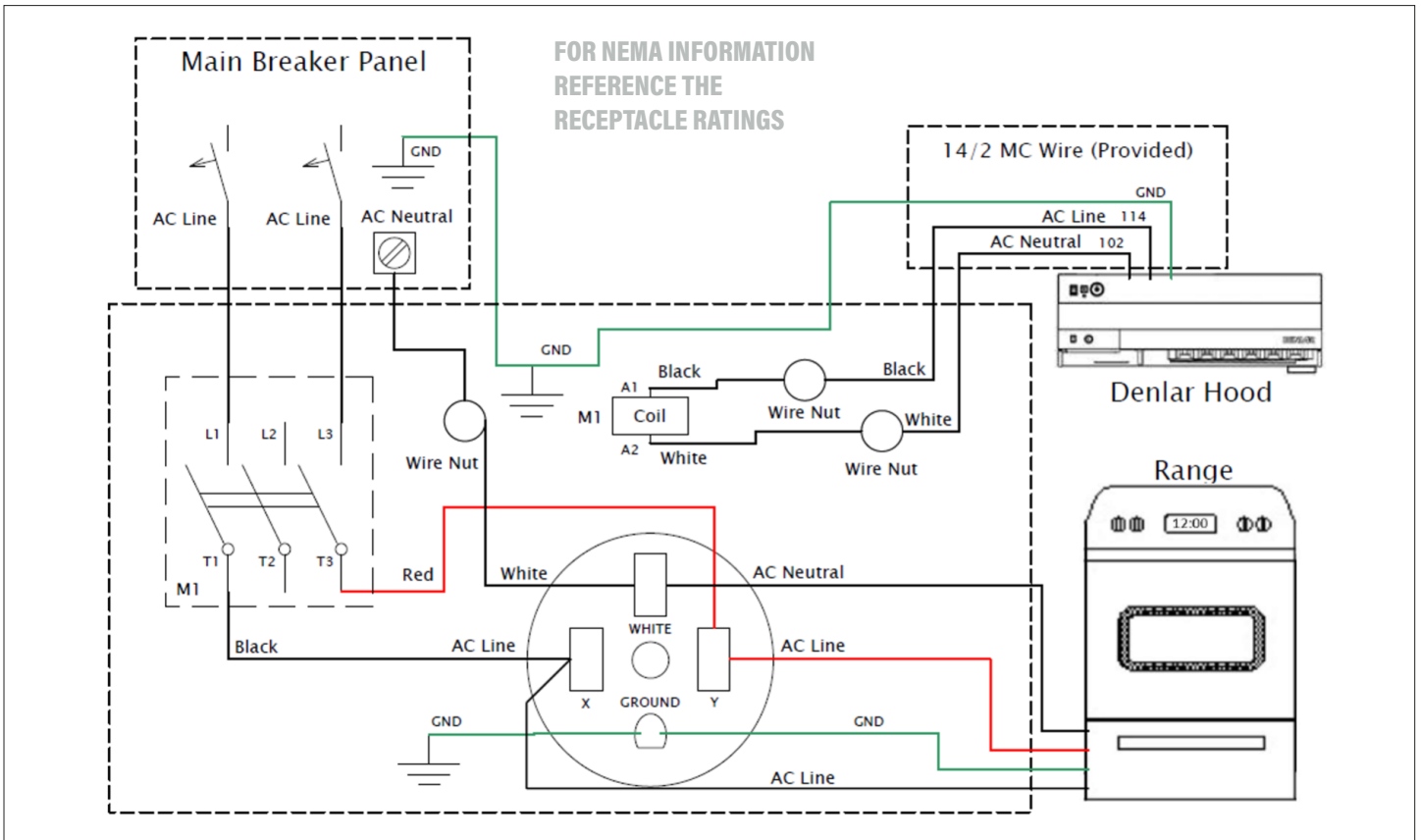
ELECTRIC RECEPTACLE DIMENSIONS



SPECIFICATIONS

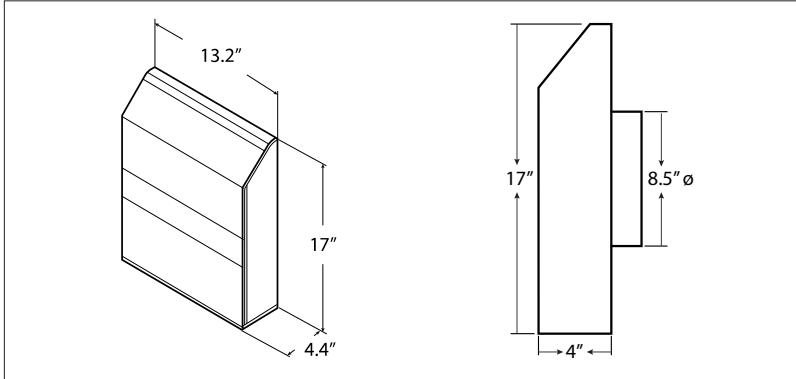
| Models | -E-220 14-50 | -E-220 10-50 | -E 220 6-20 | -E-120 5-20 | -E-120 5-15 |
|-------------------|------------------------|--------------|-------------|-------------|-------------|
| Weight | 5.4 lbs. | | | | |
| NEMA | 14-50R | 10-50R | 6-20R | 5-20R | 5-15R |
| Output Volts | 220 AC | 220 AC | 220 AC | 120 AC | 120 AC |
| Output Current | 50 Amps | 50 Amps | 20 Amps | 20 Amps | 15 Amps |
| Coil Voltage | 120 | | | | |
| Phase | 1 | | | | |
| Frequency | 60 Hz | | | | |
| Fuse | 0.5 Amps | | | | |
| Fuse Type | 5 X 20mm Cartridge | | | | |
| Operating Current | 0.25 Amps | | | | |
| Material | Galvanized | | | | |
| Mounting Type | Surface or flush mount | | | | |
| Mounting Height | See local codes | | | | |

SCHEMATIC



FAN: -D-WF-NFPA (PRO) 30"

NFPA WALL MOUNT DIMENSIONS

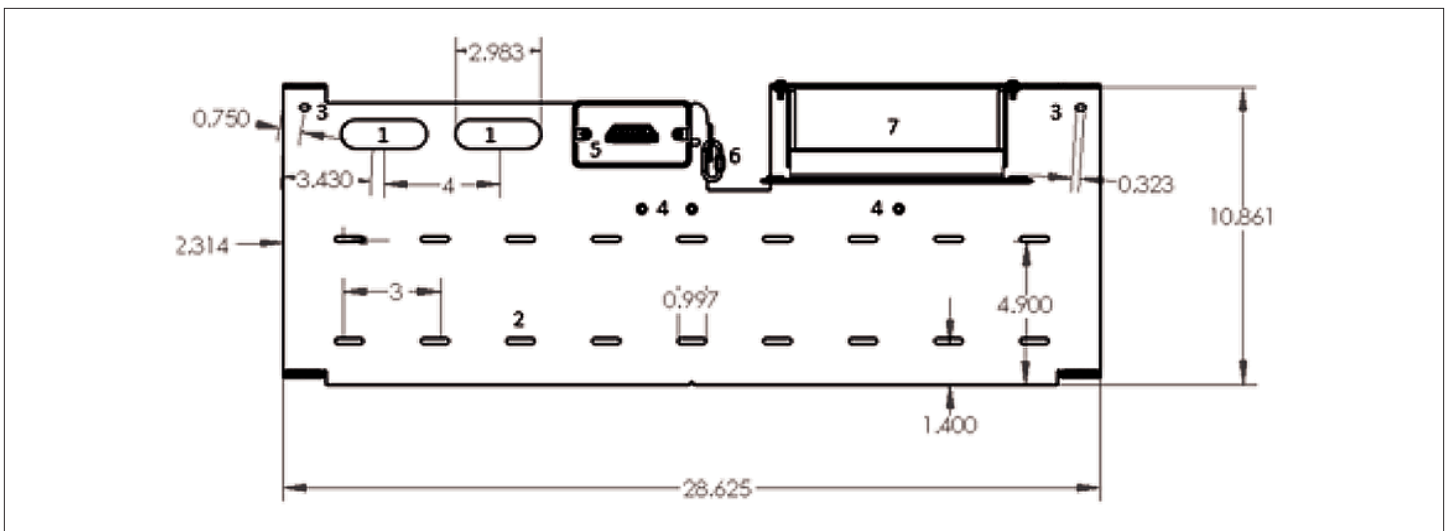


| D1000-BPSI Layout | |
|-------------------|---|
| 1 | Cut-outs for Wire Entry |
| 2 | Mounting Holes |
| 3 | Top Mounting Holes |
| 4 | 1/4-20 Studs for Securing Hoods to D1000-BPSI |
| 5 | Handy box for Power In and Power Out |
| 6 | Quick Link Safety Cable Holder |
| 7 | Collar to Attach Duct Work (7" Dia. X 1" Height) (A Minimum of 6" length of 7" Dia. Duct is required before connecting an Increaser/Adapter) |

SPECIFICATIONS

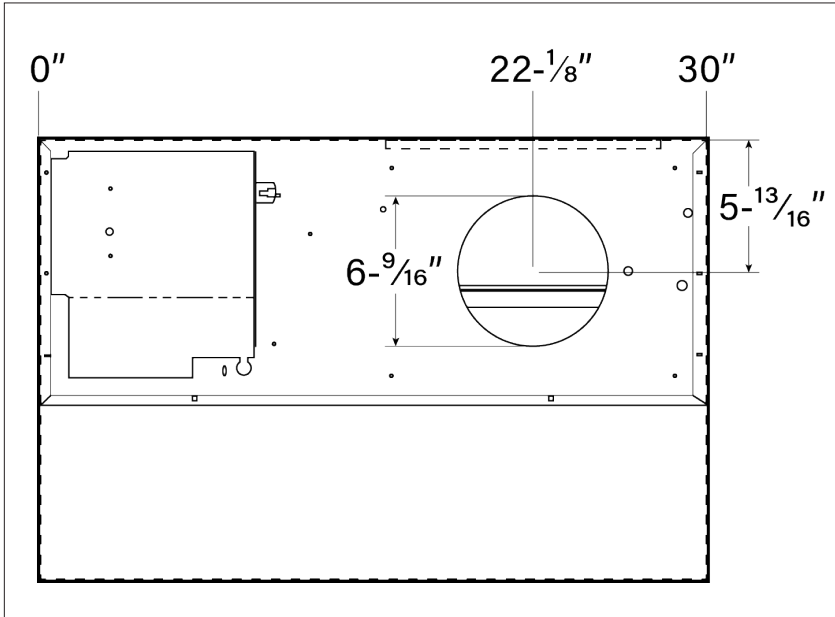
| | |
|-----------------------------|---------------------------------|
| Style | Wall Mount |
| Type | External Wall Ducted |
| Weight | 20.5 lbs |
| Operating Current | 3.1 Amps |
| Voltage | 120 AC |
| Phase | 1 |
| Frequency | 60 Hz |
| CFM + -2.5% (Low-High) | 172 - 522 |
| Pressure (In Water) | -0.10 - -0.66 |
| dB(A) (Low-High) | 60 - 75 |
| Hood Outlet (Length-Height) | 7 in (Dia) |
| Duct | 35 ft |
| Fan Inlet | 8.5 in (Dia) |
| Fan Outlet | 12 in x 3 in |
| Control | Electronic Control Module (ECM) |
| Speeds | Variable |

TOP DISCHARGING MOUNTING BRACKET (D1000-BPSI)

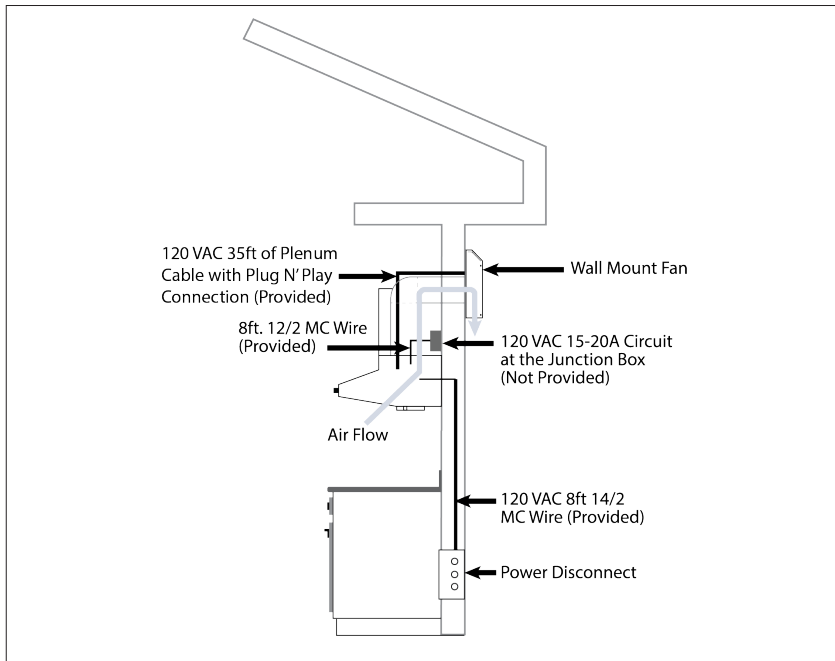


FAN: -D-WF-NFPA (PRO) 30"

DUCT LOCATION



SAMPLE EXHAUST LAYOUT



CLOCKBOX™: -CLBX



SPECIFICATIONS

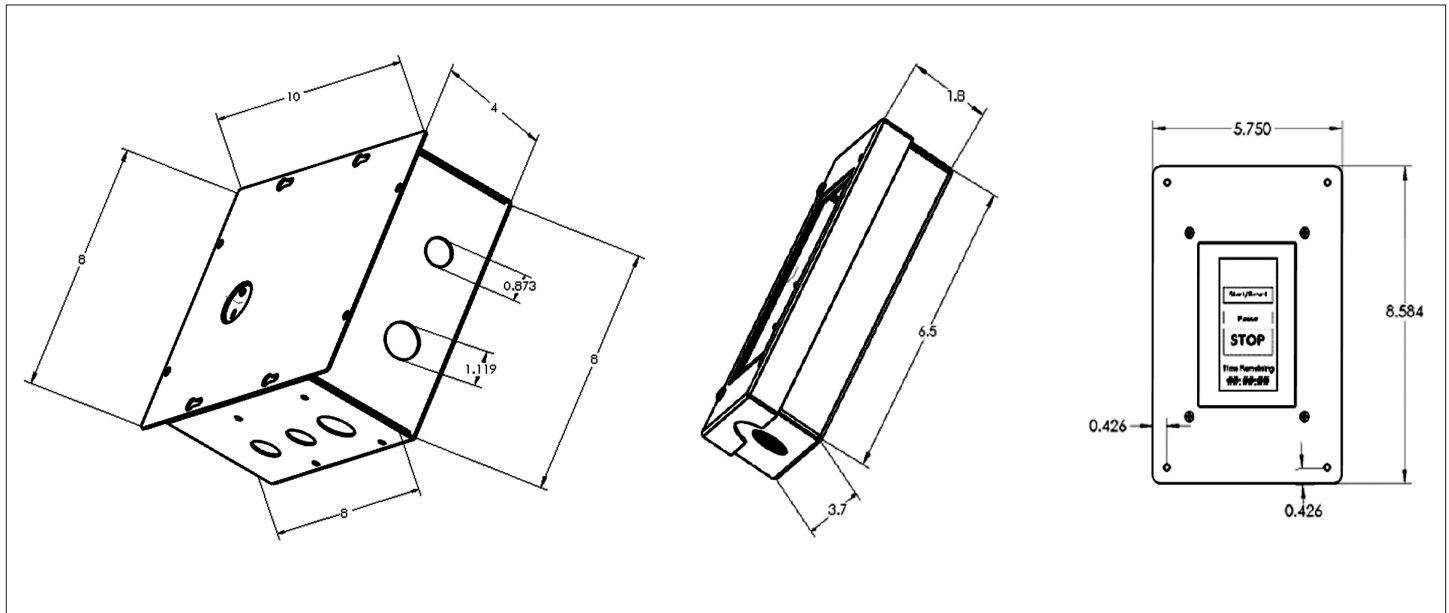
| | |
|------------------------|------------------------------|
| Mounting | Surface Mount or Flush Mount |
| Weight | 14 lbs |
| Voltage | 120 VAC |
| Phase | 1 |
| Frequency | 60 Hz |
| Breaker Size | 15 Amps |
| Operating Current | 0.1 Amps |
| Fuse | 0.5 Amps |
| Touch Screen Voltage | 5 DC |
| Output Current Maximum | 2 Amps |
| Conduit | 25 ft 16 mm ENT Conduit |

FEATURES

| Two Hour Timer | Password Protected | Adjustable Time | Change Password | ADA Compatible | Language Selection | Input/Output To A Monitoring Station/ Alarm System | Interacts with Hood | Displays User Instructions | Displays Hood Faults | Locks Out if There is a Fault with the Hood |
|----------------|--------------------|-----------------|-----------------|----------------|--------------------|--|---------------------|----------------------------|----------------------|---|
| Y | Y | Y | Y | N* | N* | N* | N* | N* | N* | N* |

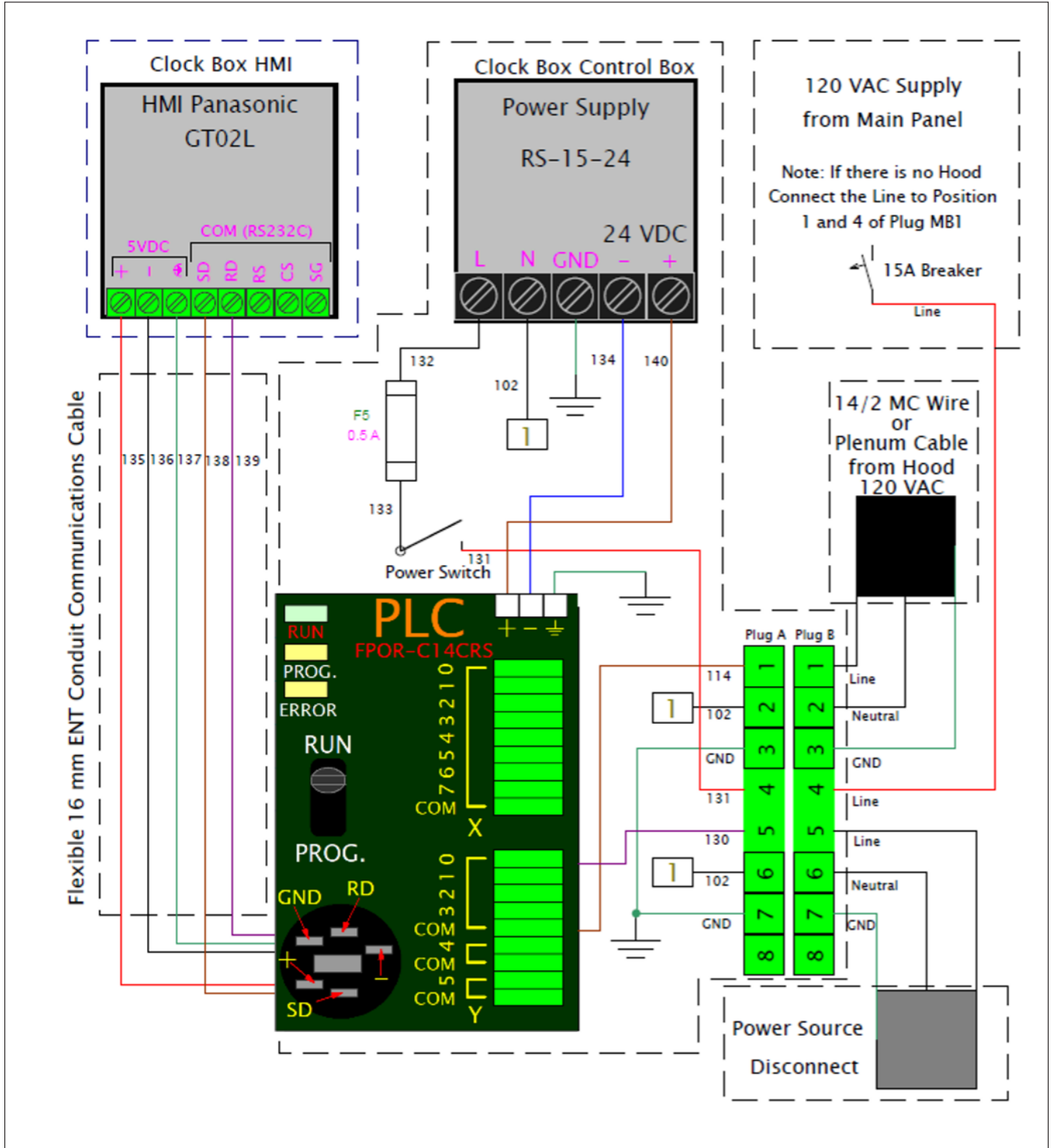
* Available with the ClockBox Pro, information is available in the Accessories Booklet.

DIMENSIONS



CLOCKBOX™: -CLBX

SCHEMATIC



MANUAL PULL STATION: -MPK (D1000)

THE D1000-MPK COMES EQUIPPED WITH THE FOLLOWING



1x Enclosure 4" x 1.5"
Octagon Metal Box



1x Manual Pull
Station Face Plate



1x 1/2" ENT
Conduit Connector



3x 90 Degree
Corner Pulleys



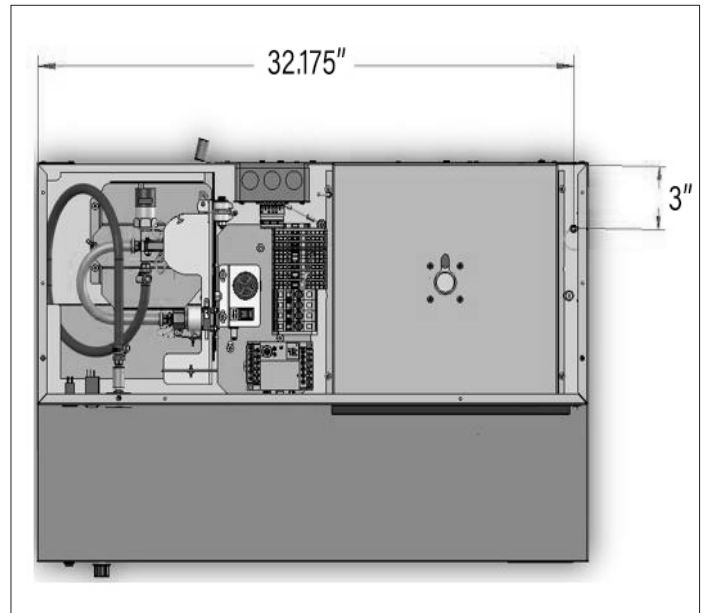
1x 25' Stainless-Steel
Cable with Clevis Pin

The Manual Pull Station (D1000-MPK) is designed to discharge the D1000 Model when a user pulls the tab from the Manual Pull Station Face Plate. The D1000-MPK is provided with 25 feet Stainless-Steel Cable and with three 90 Degree Corner Pulleys. It is required to have 7-10 inches extra Stainless-Steel Cable at the Pull Station Box.

30" MODEL PULL-PIN LOCATION

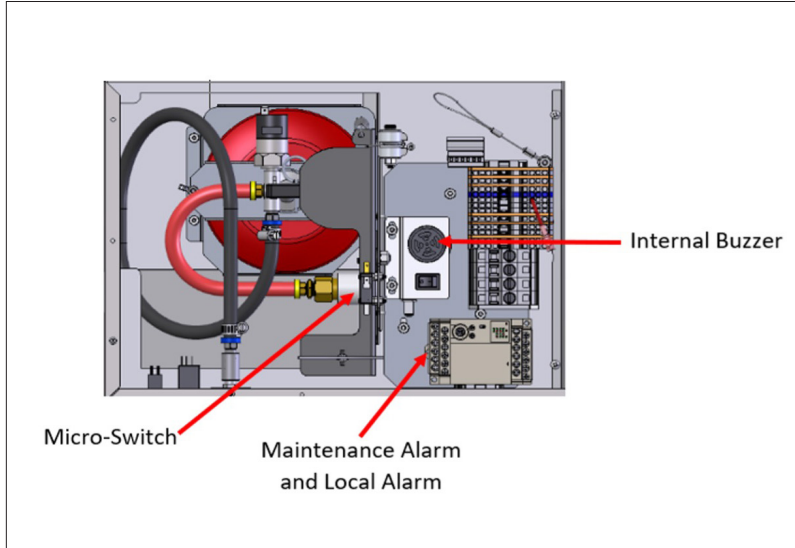


36" MODEL PULL-PIN LOCATION



ALARM: INTEGRATED TO D1000

ALARM LOCATION



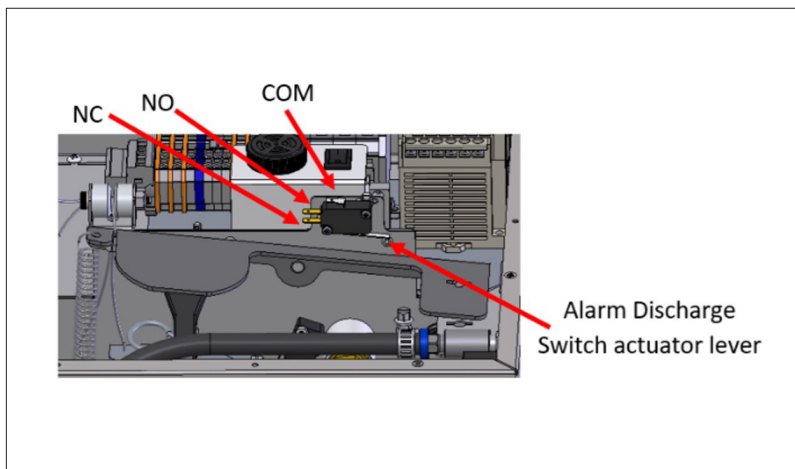
INTERNAL BUZZER SPECIFICATIONS

| | |
|----------------|---|
| Type | Audible |
| Decibels | 90 |
| Location | Top center of main unit |
| Activates upon | Tank discharge hose disconnected, low pressure in tank, or high temp fault (190° F at hood) |

MAINTENANCE ALARM SPECIFICATIONS

| | |
|------------------|---|
| Type | Dry Contact |
| Type of Contacts | Com / NO |
| Contact Amperage | 5 Amps |
| Location | PLC contacts C0 and Y0 |
| Activates upon | Tank discharge hose disconnected, low pressure in tank, or high temp fault (190° F at hood) |

MICRO-SWITCH LAYOUT



LOCAL ALARM SPECIFICATIONS

| | |
|------------------|--|
| Type | Dry Contact |
| Type of Contacts | Com / NO |
| Contact Amperage | 5 Amps |
| Location | PLC contacts C1 and Y1 |
| Activates upon | Low pressure in tank, and high temp fault (190° F at hood) |

MICRO-SWITCH SPECIFICATIONS

| | |
|------------------|----------------------------------|
| Type | Dry Contact |
| Type of Contacts | Com / NO / NC |
| Contact Amperage | 15 Amps |
| Location | Above tank actuation paddle |
| Activates upon | Mechanical discharge of the tank |

SUPPRESSION TANK: -TANK-FC/SA (D1000)

UNIT DIMENSIONS

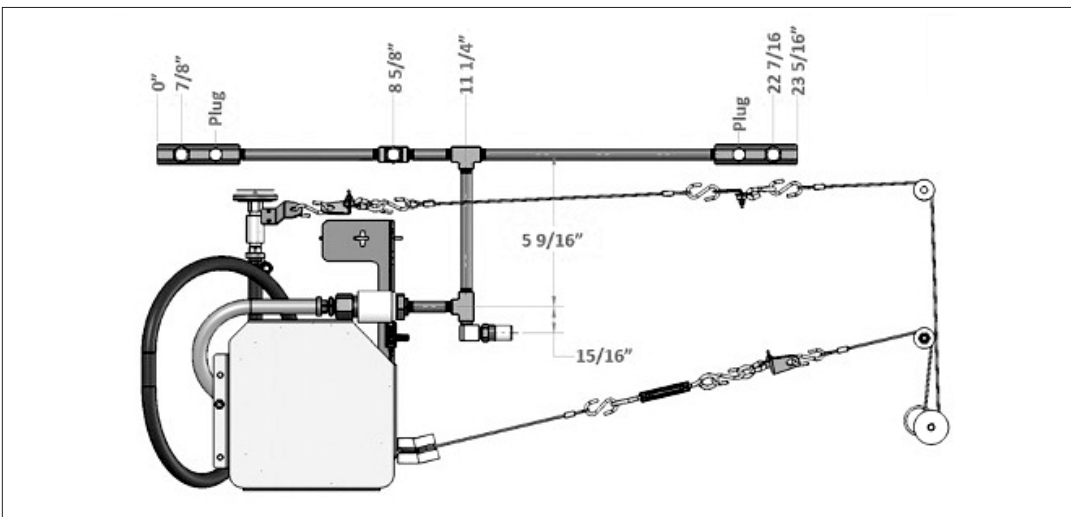


- | | |
|---|---|
| 1 | Tank is Equipped with a Pressure Switch which opens on discharge. |
| 2 | Tank is of Stainless Steel Construction. |
| 3 | Visual Pressure Gauge. |
| 4 | Discharge Hose with Quick Connect fitting attached. |

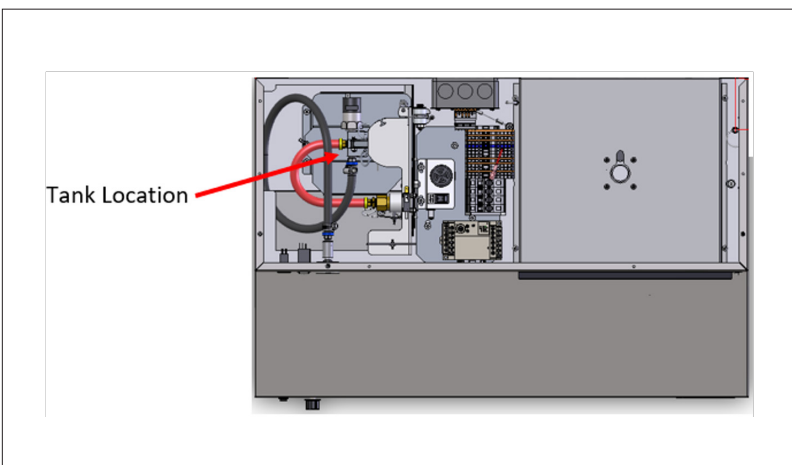
FC SPECIFICATIONS

| | |
|------------------------|--|
| Type | Self Contained Fire Suppression System |
| Compliance | UL-1995 |
| Mounting Configuration | Integral to the hood |
| Weight | 9.4 lbs |
| Vessel | Stainless Steel |
| Chemical Type | Amerex 660 |
| Volume | 1300 mL |
| Chemical Weight | 2.2 lbs |
| Pressure (PSI) +-8% | 102 PSI |
| Height | 8 in |
| Width | 6 in |

NOZZLE PLACEMENT (PRE-INSTALLED IN HOOD)



TANK LOCATION



SA SPECIFICATIONS

| | |
|------------------------|--|
| Type | Self Contained Fire Suppression System |
| Compliance | UL-1995 |
| Mounting Configuration | Integral to the hood |
| Weight | 9.4 lbs |
| Vessel | Stainless Steel |
| Chemical Type | Amerex 660 |
| Volume | 1300 mL |
| Chemical Weight | 2.2 lbs |
| Pressure (PSI) +-8% | Charge to 102 PSI on site |
| Height | 8 in |
| Width | 6 in |