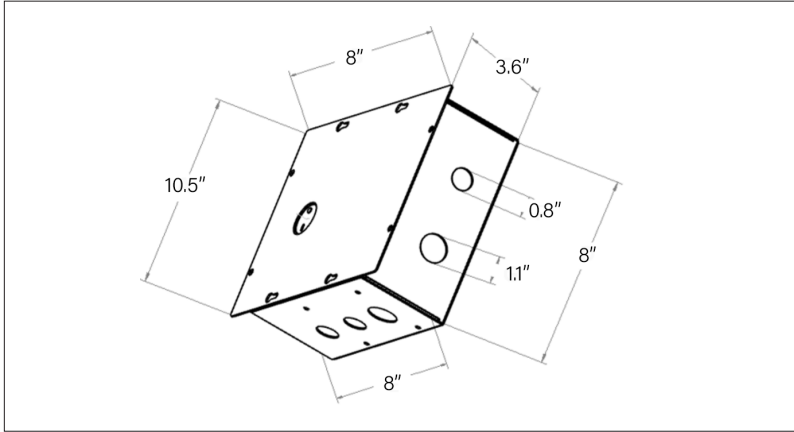


POWER DISTRIBUTION BOX: -PD4X (D1000)

UNIT DIMENSIONS



SPECIFICATIONS

| Electrical Specifications | |
|---------------------------|------------------------|
| Coil Voltage | 120 AC |
| Phase | 1 |
| Frequency | 60 Hz |
| Fuse | 0.5 Amps |
| Operating Current | 0.25 Amps |
| Input Volts | 120 AC |
| Output Volts | 120 AC |
| Material Information | |
| Weight | 5.4 lbs |
| Material | Galvanized |
| Mounting Type | Surface or Flush Mount |
| Mounting Height | See Local Codes |

SCHEMATIC

