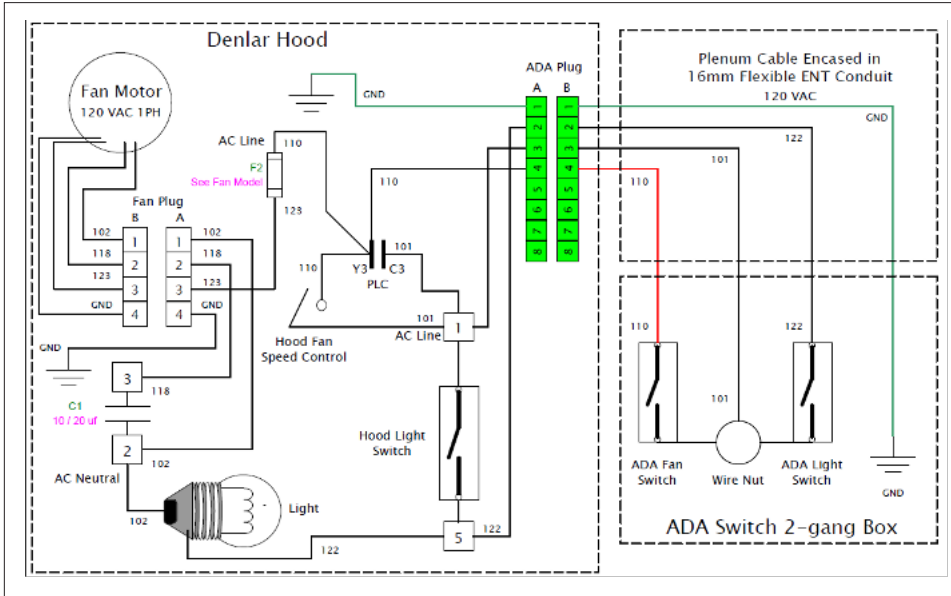


HANDICAP ACCESSIBLE FAN AND LIGHT CONTROLS: -ADA (D1000)

D1000-ADA SCHEMATIC



SPECIFICATIONS

Electrical Information	
Voltage	120 AC
Fuse	See Fan Model
Operating Current	See Fan Model
Phase	1
Frequency	60 Hz
Material Information	
Weight	1.5 lbs
Length	3.75 in
Depth	2.5 in
Height	3 in
Material	Plastic and Steel
Mounting Configuration	Surface Mount or Flush Mount
Mounting Height	See Local Codes
Conduit Value	15 ft 16 mm Flexible ENT Conduit Value

ADA FAN AND LIGHT CONTROLS



NOTE: Fan will power to high only when ADA is in use.