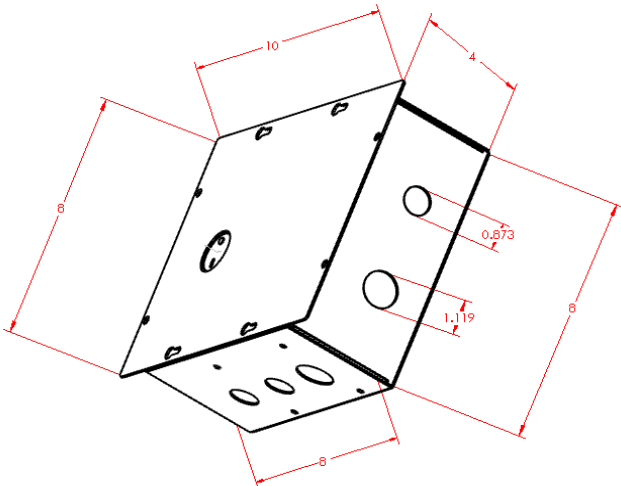
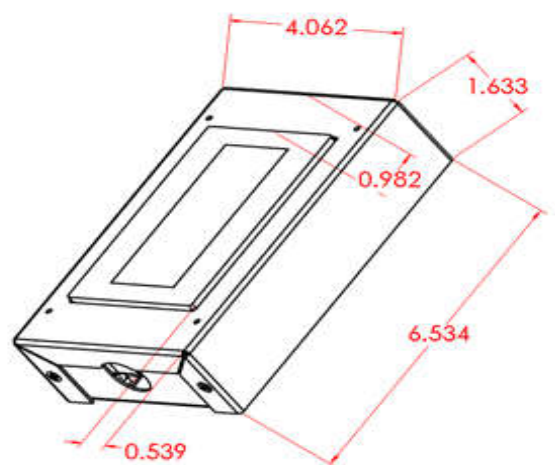
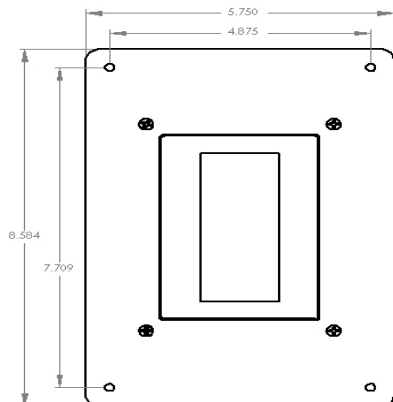


CLBX DATASHEET

CLBX ASY-200047																					
MATERIAL INFORMATION																					
TYPE	QTY	BRAND	MODEL	COMPLIANCE	COLORS AVAILABLE	MOUNTING CONFIG.	MATERIAL SPECIFICATIONS					COMPONENT INFORMATION									
							LENGTH (In.)	DEPTH (In.)	HEIGHT (In.)	WEIGHT (Lbs.)	MATERIAL	MOUNTING HEIGHT	VOLTAGE	PHASE	BREAKER SIZE (Amp)	CONTINUOUS OPERATING CURRENT (Amp)	DISCONNECT FOR APPLIANCE				
																	D1000-E	D1000-G	D1000-DED-220	D1000-DED-120	D1000-DRD
Option	1	DENLAR	CLBX		Stainless Steel	Surface Mount or Flush Mount	Control Box: 8 Touch Screen:4	Control Box: 8 Touch Screen:1.6	Control Box: 4 Touch Screen:8.5	14	Galvanized and 304 SS	See Local Codes	110 VAC	1	15	0.1	Specify NEMA 14-50R, 6-20R, 6-15R, or 5-15R	SOLENOID 3/4" NPT	D1000-E-220 (Specify NEMA) and D1000-G	D1000-E-120 (Specify NEMA) and D1000-G	Two Receptacles (Specify voltage and NEMA)

CLBX ASY-200047	
CLBX-PLC ASY-300020	HMI, Screen for ClkBx
	<div style="display: flex; justify-content: space-around;"> <div style="text-align: center;"> <p><i>Surface Mount</i></p>  </div> <div style="text-align: center;"> <p><i>Surface Mount</i></p>  </div> </div>
<p>NOTES:</p> <p>1 Enclosure can be Flush or Surface mounted.</p> <p>2 A 120 VAC Plug connection coming from the Hood or Clock Box is needed to be plugged in (Refer to Devices Flow Chart LAB-</p>	

DENLAR
FIRE PROTECTION
PRE-ENGINEERED RANGE HOODS
 The World's Only Fail-Safe UL300A Hood