

Date: \_\_\_\_\_ Job Name: \_\_\_\_\_ Mark: \_\_\_\_\_  
 Reference: \_\_\_\_\_ Unit Location: \_\_\_\_\_ Prepared By: \_\_\_\_\_  
 Engineer: \_\_\_\_\_ Contractor: \_\_\_\_\_ Approval: \_\_\_\_\_  
 Expected Job Date: \_\_\_\_\_ Notes: \_\_\_\_\_

**UNIT OPTIONS:**

- |   |   |
|---|---|
| <input type="checkbox"/> ADA Fan/Light Control                    | <input checked="" type="checkbox"/> Manual Pull Station |
| <input type="checkbox"/> ClockBox                                 | <input checked="" type="checkbox"/> ClockBox Pro        |
| <input type="checkbox"/> Custom Color <b>Specify Color:</b> _____ | <input type="checkbox"/> Top Cover                      |
| <input type="checkbox"/> Test Tank                                | <input type="checkbox"/> Make-Up Air Control Module     |
| <input type="checkbox"/> Strobe -Light & Annunciator              | <input type="checkbox"/> Limiting Speed Control Module  |
| <input type="checkbox"/> Power Distribution Block Module          | <input type="checkbox"/> Relay Control Module           |

**DISCONNECT OPTIONS:**

- 3/4" NPT Natural Gas (*DED Needed if Electric Components Need to be Controlled on a Gas Range*)
- Electric **\*Specify NEMA: 220VAC** =  14-50R  6-20R  10-50R **120VAC** =  5-15R  5-20R
- Dual Element (includes 3/4" NPT Natural Gas and Electric)
- \*Specify NEMA: 220VAC** =  14-50R  6-20R  10-50R **120VAC** =  5-15R  5-20R
- Dual Receptacle **\*Specify NEMA: 220VAC** =  6-20R **120VAC** =  5-15R  5-20R

**ELECTRIC NEMA (RECEPTACLE) OPTIONS**



**GENERAL FEATURES:**

- Wall Mounted
- Pre-Engineered Fire Suppression System
- Variable Fan Speed Control
- Two Step Pre-Suppression
- Plenum Nozzle
- MAIN Power Switch
- Reset Switch
- Light Switch
- Pressure Gauge
- Temperature Switches Triggering Pre-emptive Shutdown
- Hard Wired Fuel Source Disconnect
- Dry Alarm Contacts
- On Board Diagnostics
- Status LED
- Trouble Signal
- Service Key
- Audible Buzzer (90dB)
- Service Switch
- Pressure Switch
- Grease Baffle w/ Drip Tray
- ETL/CSA Listed
- Permanently Lubricated Centrifugal Fan Motor listed to UL507
- Local, Remote and Trouble Alarms
- Shatter-Proof or LED Bulb

FEATURES	DESCRIPTION
Compliance	UL300A NSF UL507 NFPA101
Canopy Width	36 Inches
Dimensions In.	35-7/8 x 19-3/8 x 10-1/2
Weight Lbs.	56.8
Voltage / Hz / Amps	120 / 60 / 4
MOCP	15A
Fire Control	Programmable Logic Controller
Tank Type / Pressure / Volume	Stainless Steel / 102+-8% Psi / 1.84 Liters
Venting / Fan Type / Speed	Ducted / In-line / Variable Speed
CFM	297 ~ 545
Min / Max Installation Height	30 / 36 Inches
Duct Collar (In. / mm)	7 / 177.8
Sound Rating	60 / 70 dB
Finish	18 & 20 GA 304 Brushed Stainless Steel
Lighting	(1) LED Bulb medium base
Suppression Agent	Low pH Wet Chemical Amerex 660
No. of Nozzles / Spray	4 / 60 Degree Conical
Actuation Type	Mechanical Fail-Safe
Protection Device / Limit	3 Globe Links / 280°F

# Model

# D1036-D-IF-NFPA101

Technical Data Book

**DENLAR**  
**FIRE PROTECTION**  
**PRE-ENGINEERED RANGE HOODS**

Not responsible for typographical errors. Continuing research results in product improvement, therefore specifications are subject to change without notice. For the most updated information, please consult factory directly.

LAB-110265 REV12202021

# Table of Contents

## **D1036-D-IF-NFPA101(NFPA101-PRO) Model Information**

[Model Identification](#)

[D1000 Dimensions and Weights](#)

[Electrical Specifications](#)

[Fan Specifications and Dimensions](#)

[Exhaust Layout](#)

[Duct Location](#)

[Back Plate Support Layout](#)

[D1000 Nozzle Placement](#)

[D1000 Tank Information](#)

## **Accessories**

[Alarm Information](#)

[Manual Pull Station](#)

[ClockBox Specifications and Dimensions](#)

[Electric Disconnect](#)

[Gas Disconnect](#)

[Dual Receptacle Disconnect](#)

[Dual Element Disconnect](#)

[Tank Fully Charged](#)

[Tank with Amerex Only](#)

[Tank Test-Nitrogen Only](#)

[Tank Not Charged](#)

[Horn and Strobe](#)

[Fan by Others](#)

[Make Up Air Fan Control Module/Damper Control](#)

[CFM Limiting Speed Control](#)

[Handicap Accessible Controls](#)

[Top Cover](#)

## **Part Number**

D1000-MPK

CLBX & CLBX-PRO

D1000-E

D1000-G

D1000-DRD

D1000-DED

D1000-TANK-FC

D1000-TANK-SA

D1000-TANK-TEST

D1000-TANK-E

D1000-STROBE

D1000-FBO

D1000-MACM

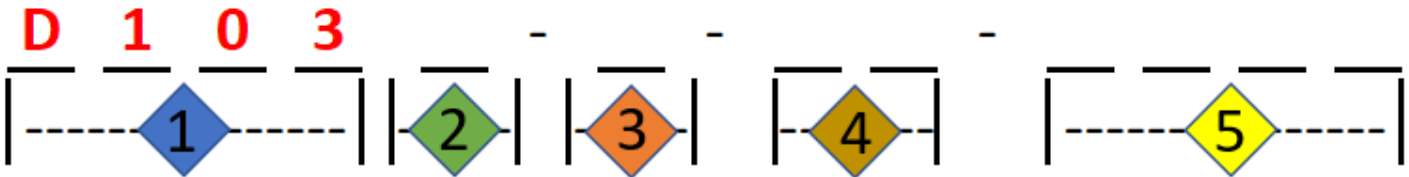
D1000-LSC

D1000-ADA

D1036-TCI

# Model Identification

## Model Identification



<b>ID</b>	
<b>Label</b>	<b>Model</b>
D103	Denlar

<b>ID</b>	
<b>Label</b>	<b>Size</b>
0	30" Model
6	36" Model

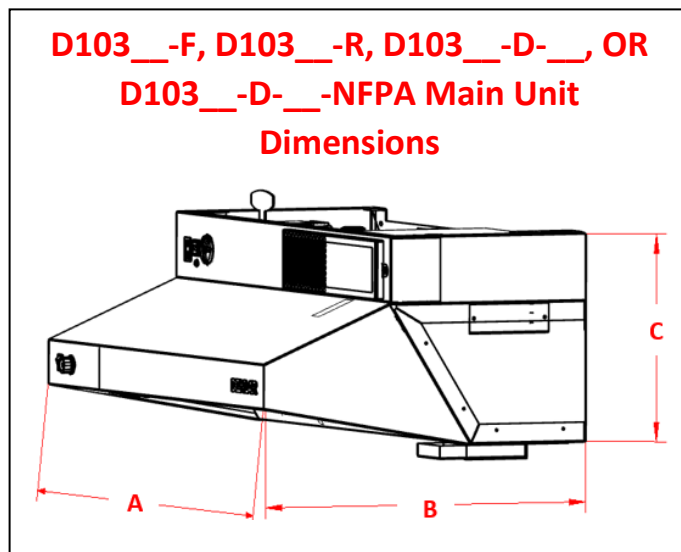
<b>ID</b>	
<b>Label</b>	<b>Exhaust Type</b>
F	Front Exhaust
R	Rear Exhaust
D	Top Ducted Exhaust

<b>ID</b>	
<b>Label</b>	<b>Top Ducted Fan Type</b>
IF	Inline Fan
RF	Roof Fan
WF	Wall Mount Fan

<b>ID</b>	
<b>Label</b>	<b>NFPA Compliant</b>
NFPA	Includes High Performance Fan, Manual Pull Station, Timer Lock Out System

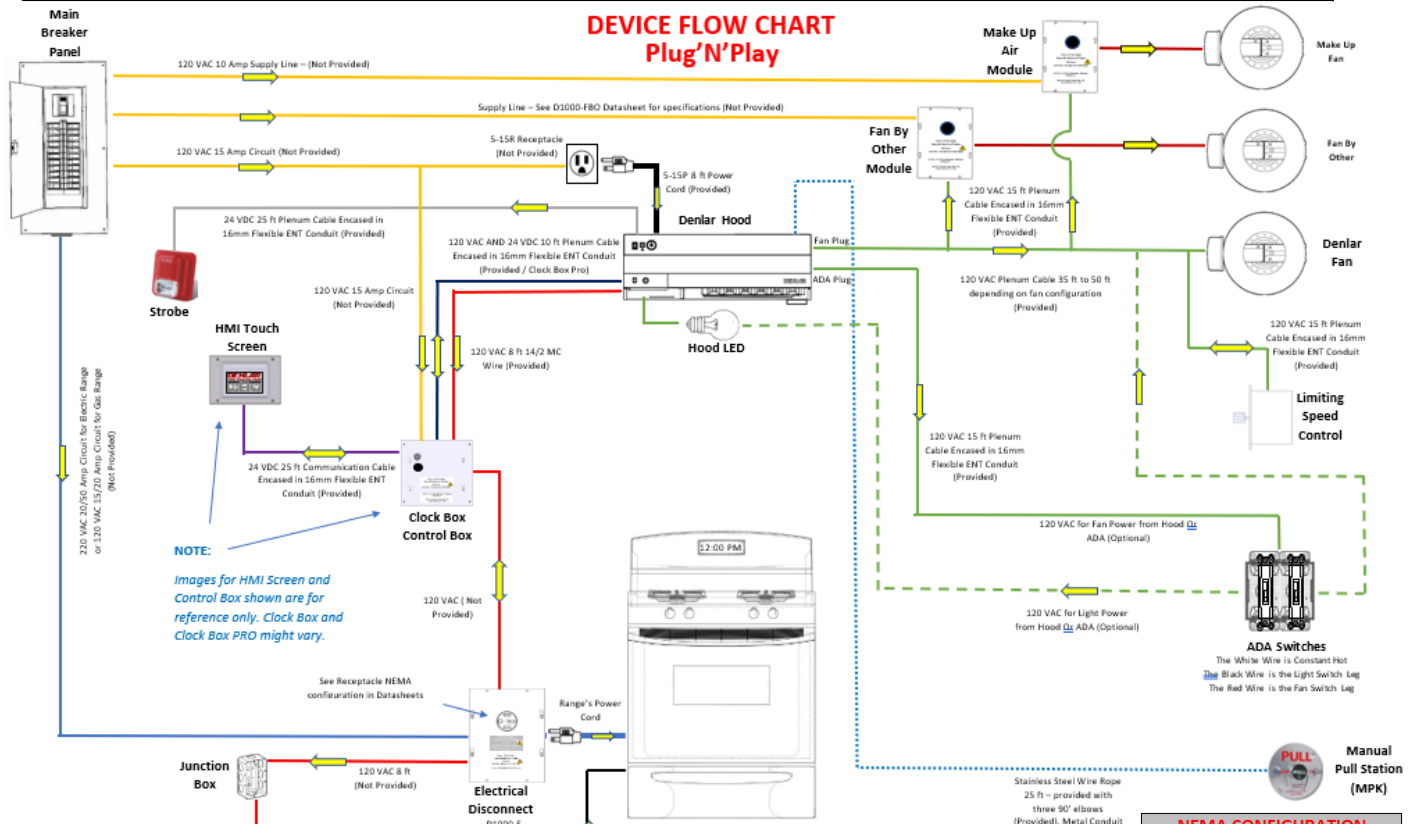
# D1000 Dimensions and Weights

Model Dimensions and Weight										
MODEL	MOUNTING CONFIG.	MOUNTING HEIGHT (In.)	LENGTH (In.)(A)	DEPTH (In.)(B)	HEIGHT (In.)(C)	WEIGHT (Lbs.)				
D1030-F		MIN:24 MAX:30	30		10.5	53.4				
D1030-F-NFPA					14.8	75				
D1030-R					10.5	53.4				
D1030-R-NFPA					14.8	75				
D1030-D-IF					WALL	19.375			10.5	53.4
D1030-D-IF-NFPA										
D1030-D-RF										
D1030-D-RF-NFPA										
D1030-D-WF										
D1030-D-WF-NFPA										
D1036-F		MIN:30 MAX:36	36		10.5	56.8				
D1036-F-NFPA					14.8	78.8				
D1036-R					10.5	56.8				
D1036-R-NFPA					14.8	78.8				
D1036-D-IF					10.5	56.8				
D1036-D-IF-NFPA										
D1036-D-RF										
D1036-D-RF-NFPA										
D1036-D-WF										
D1036-D-WF-NFPA										



# Electrical Specifications

Electrical Information									
MODEL	VOLATGE (AC)	PHASE	FREQUENCY (Hz.)	CIRCUIT BREAKER SIZE (AMPS)	OPERATING CURRENT (AMPS)	FAN OPERATING CURRENT (AMPS)	OUTPUT OPERATING CURRENT (AMPS)	INPUT WIRING	OUTPUT WIRING
D1030-F	120	1	60	15-20	1.38	0.8	0.25 to 0.5	12/2 MC WIRE	14/2 MC WIRE
D1030-F-NFPA					3.7	3.1			
D1030-R					1.38	0.8			
D1030-R-NFPA					3.7	3.1			
D1030-D-IF					2.4	1.8			
D1030-D-IF-NFPA					3.1	2.5			
D1030-D-RF					4.6	4			
D1030-D-RF-NFPA					5.6	5			
D1030-D-WF					1.38	0.8			
D1030-D-WF-NFPA					3.7	3.1			
D1036-F					1.38	0.8			
D1036-F-NFPA					3.7	3.1			
D1036-R					1.38	0.8			
D1036-R-NFPA					3.7	3.1			
D1036-D-IF					2.4	1.8			
D1036-D-IF-NFPA					3.1	2.5			
D1036-D-RF					4.6	4			
D1036-D-RF-NFPA	5.6	5							
D1036-D-WF	1.38	0.8							
D1036-D-WF-NFPA	3.7	3.1							



**NOTE:**  
Images for HMI Screen and Control Box shown are for reference only. Clock Box and Clock Box PRO might vary.

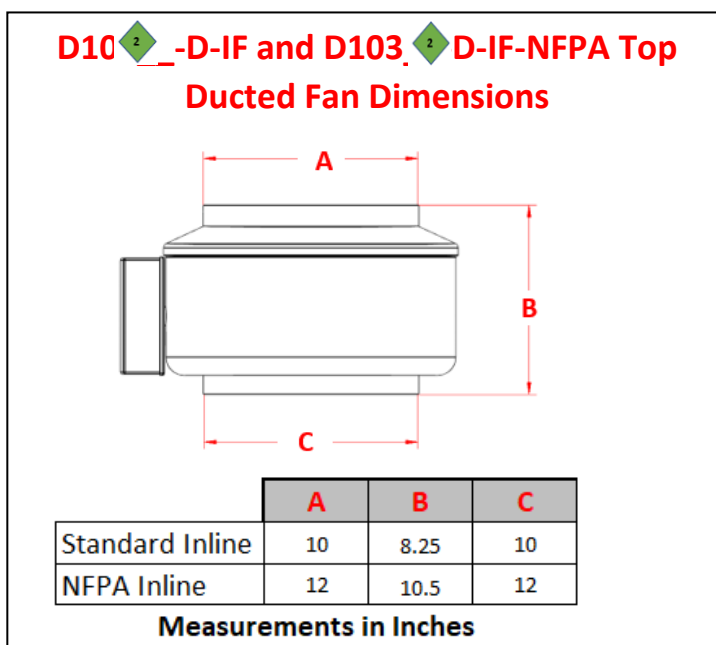
NEMA CONFIGURATION			
VOLTS (AC)	CURRENT (AMPS-AC)	NEMA	
120	15	5-15R	
	20	5-20R	
		6-20R	
220	50	10-50R	
			14-50R



# Fan Specifications

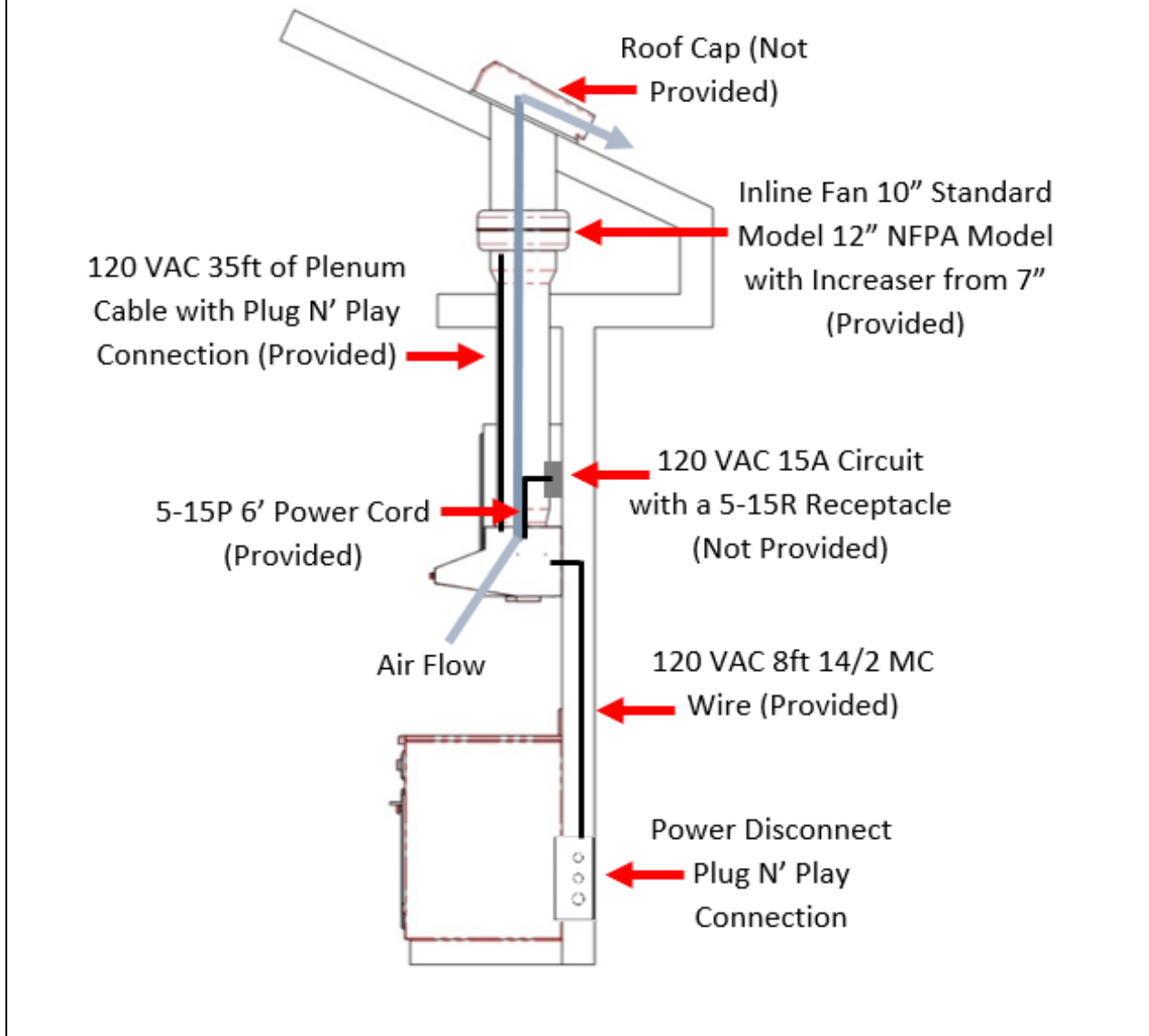
Fan Ratings																
MODEL	STYLE	TYPE	WEIGHT (Lbs.)	OPERATING CURRENT (AMPS)	VOLATGE (AC)	PHASE	FREQUENCY (Hz.)	CFM +2.5% (LOW-HIGH)	PRESSURE (In. WATER)	DBA (LOW-HIGH)	HOOD OUTLET (In.)(LxH)	DUCT	FAN INLET	FAN OUTLET	CONTROL	SPEEDS
D1030-F	Front	Integral to Hood	6.25	0.8	120	1	60	174 ~ 276	-0.09 ~ -0.18	62 ~ 70	12 X 3	N/A	6.5 (Dia.)	12 X 3	Electronic Control Module (ECM)	Variable
D1030-F-NFPA	Discharge		22	3.1				216 ~ 514	-0.26 ~ -1.38	60 ~ 84	30 x 4		4- 24 In.	9.8 x 9.7		
D1030-R	Rear	6.25	0.8	139 ~ 279				-0.09 ~ -0.17	62 ~ 70	12 X 3	6.5 (Dia.)			12 X 3		
D1030-R-NFPA	Discharge	22	3.1	174 ~ 519				-0.25 ~ -1.35	60 ~ 80	10 X 4.25	7 (Dia.)	35 ft.	9.8 x 9.7	10 X 4.25		
D1030-D-IF	Inline	Ducted	10.5	1.8				283 ~ 474	-0.23 ~ -0.61	57 ~ 69			10 (Dia.)	10 (Dia.)		
D1030-D-IF-NFPA			13.5	2.5				297 ~ 545	-0.29 ~ -0.89	60 ~ 70			12 (Dia.)	12 (Dia.)		
D1030-D-RF	Inline Ducted Roof Mount	Roof w/Curb adapter (Without physical curb)	35	4				357 ~ 499	-0.40 ~ -0.84	61 ~ 73	7 (Dia.)	50 ft.	10 (Dia.)	20-13/16 (Dia.)		
D1030-D-RF-NFPA		5		326 ~ 548				-0.39 ~ -1.09	63 ~ 75	9 7/8			20 (Dia.)			
D1030-D-WF	Wall Mount	External Wall Ducted	13.5	0.8				208 ~ 281	-0.14 ~ -0.28	56 ~ 60	7 (Dia.)	35 ft.	6.5 (Dia.)	14 x 3		
D1030-D-WF-NFPA			20.5	3.1				172 ~ 522	-0.10 ~ -0.66	60 ~ 75			8.5 (Dia.)	12 X 3		
D1036-F	Front	Integral to Hood	6.25	0.8				174 ~ 276	-0.09 ~ -0.18	62 ~ 70			12 X 3	N/A		
D1036-F-NFPA	Discharge		22	3.1				216 ~ 514	-0.26 ~ -1.38	60 ~ 84	30 x 4	9.8 x 9.7	30 x 4			
D1036-R	Rear	6.25	0.8	139 ~ 279	-0.09 ~ -0.17	62 ~ 70	12 X 3	4- 24 In.	6.5 (Dia.)	12 X 3						
D1036-R-NFPA	Discharge	22	3.1	174 ~ 519	-0.25 ~ -1.35	60 ~ 80	10 X 4.25		9.8 x 9.7	10 X 4.25						
D1036-D-IF	Inline	Ducted	10.5	1.8	283 ~ 474	-0.23 ~ -0.61	57 ~ 69	7 (Dia.)	35 ft.	10 (Dia.)	10 (Dia.)					
D1036-D-IF-NFPA			13.5	2.5	297 ~ 545	-0.29 ~ -0.89	60 ~ 70			12 (Dia.)	12 (Dia.)					
D1036-D-RF	Inline Ducted Roof Mount	Roof w/Curb adapter (Without physical curb)	35	4	357 ~ 499	-0.40 ~ -0.84	61 ~ 73			7 (Dia.)	50 ft.	10 (Dia.)	20-13/16 (Dia.)			
D1036-D-RF-NFPA		5		326 ~ 548	-0.39 ~ -1.09	63 ~ 75	9 7/8	20 (Dia.)								
D1036-D-WF	Wall Mount	External Wall Ducted	13.5	0.8	208 ~ 281	-0.14 ~ -0.28	56 ~ 60	7 (Dia.)	35 ft.	6.5 (Dia.)	14 x 3					
D1036-D-WF-NFPA			20.5	3.1	172 ~ 522	-0.10 ~ -0.66	60 ~ 75			8.5 (Dia.)	12 X 3					

## Fan Dimensions

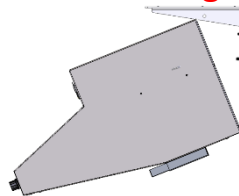


# Exhaust Layout

## D103\_\_-D-IF AND D103\_\_-D-IF-NFPA Inline Layout

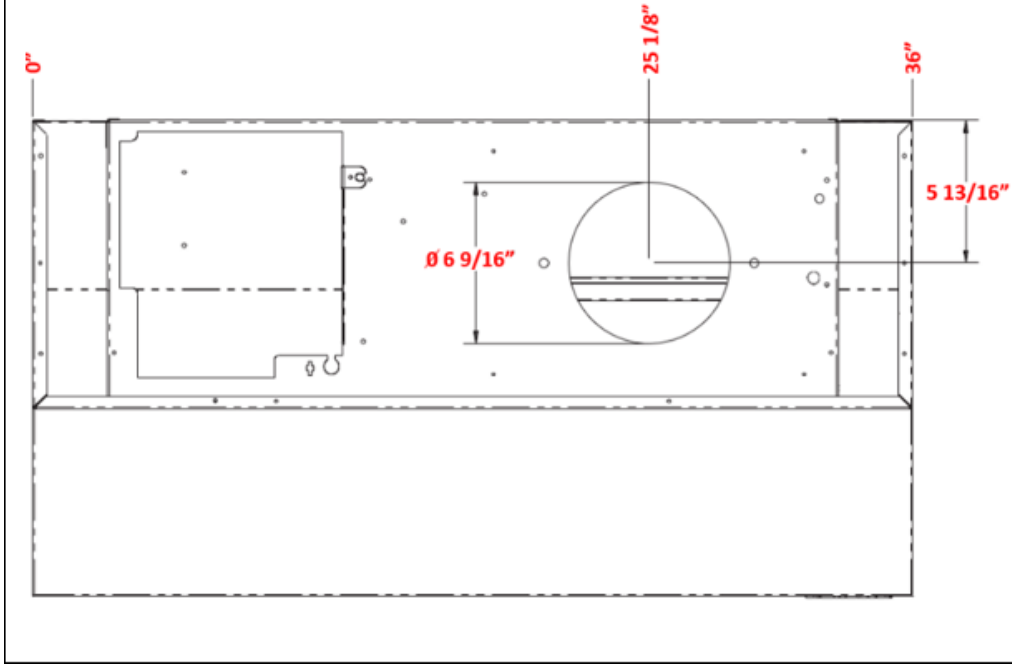


**The Main Unit needs clearance to tilt to a 45 Degree Angle for Maintenance Purposes**

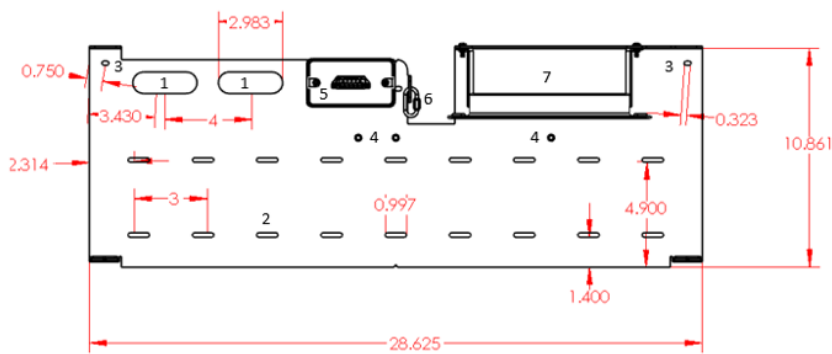


# Duct Location

## D1036-D-4 and D1036-D-4-NFPA Models Top Ducted Exhaust Cutout Location



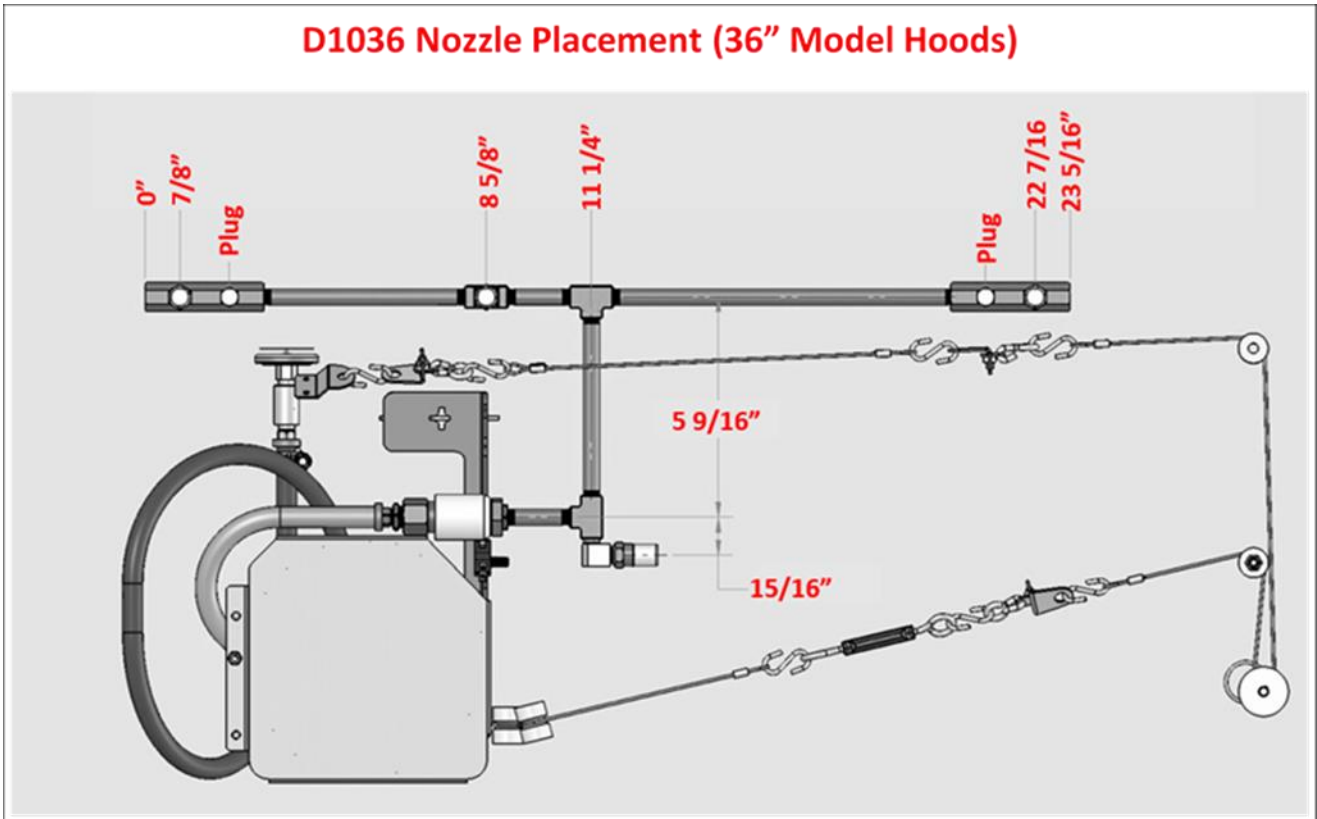
## Back Plate for D1034-D-4 and D1034-D-4-NFPA Top Ducted Models



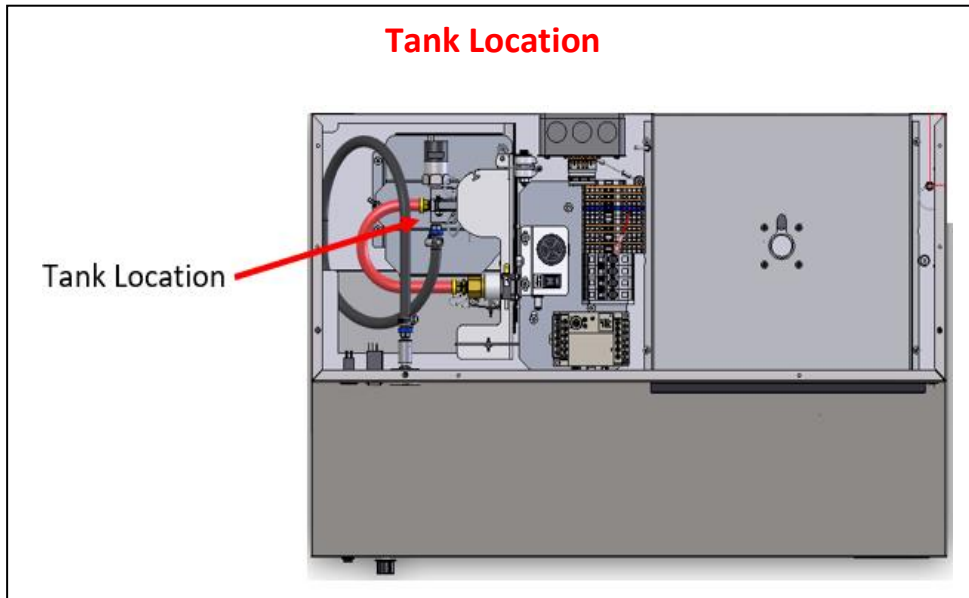
Back Plate Support Layout	
1	Cut-outs for Wire Entry
2	Mounting Holes
3	Top Mounting Holes
4	1/4-20 Studs for Securing Hood to D1000-BPS
5	Handy Box for Power In and Power Out
6	Quick Link Safety Cable Holder
7	Collar to Attach Duct Work (7" Dia. X 1" Height) (A Minimum 6" length of 7" Dia. Duct is required before connecting an Increaser/Adapter)

# D1000 Nozzle Placement

## D1036 Nozzle Placement (36" Model Hoods)



## Tank Location

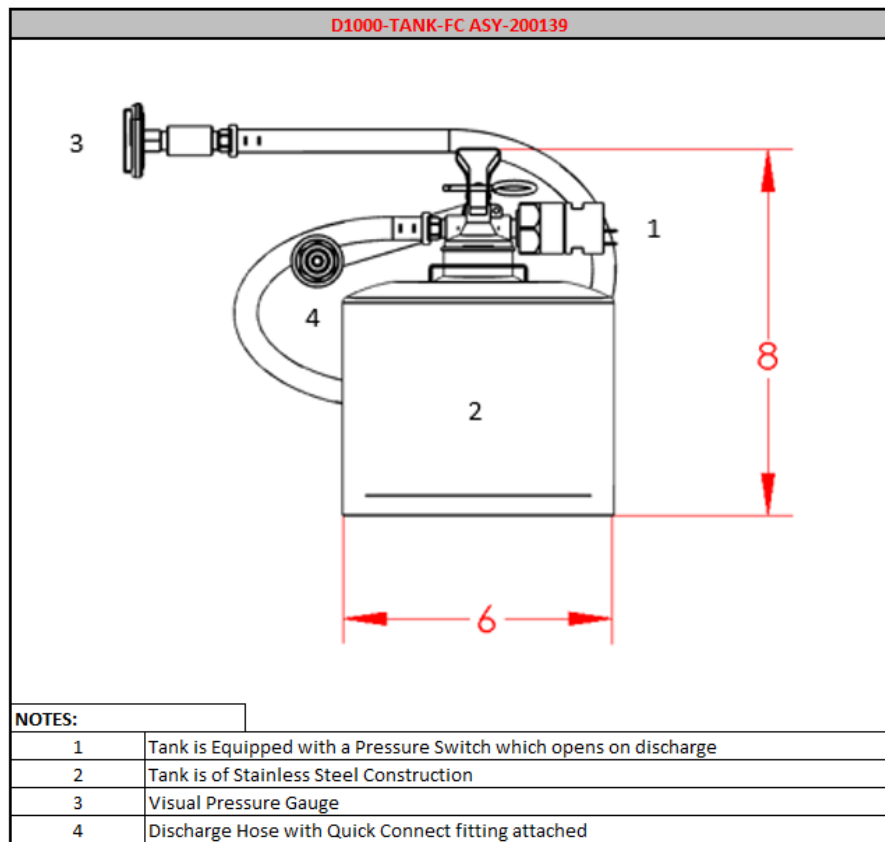


# D1000-Tank Information

## D1000-TANK-FC

**(Integral to all D1000 Hood Models)**

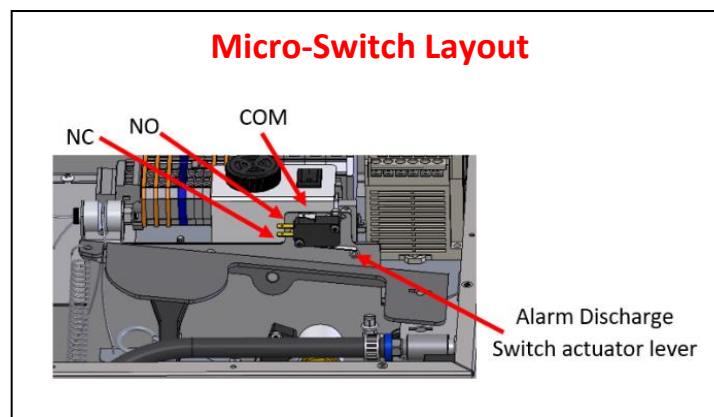
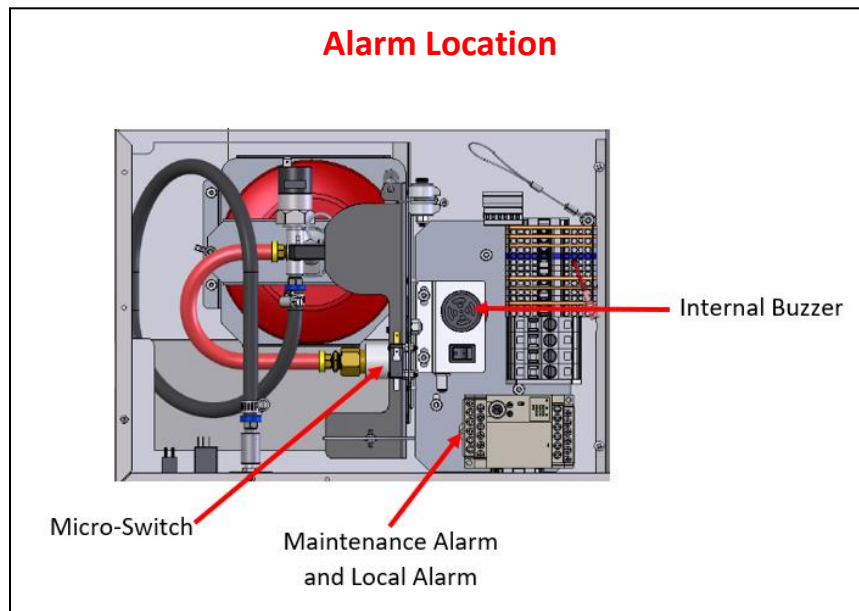
Tank Information												
	TYPE	COMPLIANCE	MOUNTING CONFIGURATION	LENGTH (In.)	DEPTH (In.)	HEIGHT (In.)	WEIGHT (Lbs.)	VESSEL	CHEMICAL TYPE	VOLUME (mL.)	CHEMICAL WEIGHT (Lbs.)	PRESSURE (PSI)+8%
D1000-TANK-FC	Self Contained Fire Suppression System	UL-1995	Integral to the Hood	N/A	6	8	9.4	Stainless Steel	Amerex 660	1300	2.2	102



# Alarm Information

## (Integral to all D1000 Models)

Alarm Ratings						
	TYPE	TYPE OF CONTACTS	CONTACT AMPERAGE (AC)	DECIBLES	LOCATION	Activates Upon
Internal Buzzer	Audible	None	None	90	Top Center of the Main Unit	Tank Discharge Hose Disconnected, Low Pressure in the Tank, or High Temperature Fault (190°F Deg. At the Hood)
Maintenance Alarm	Dry Contact	Com / NO	5	None	PLC Contacts C0 and Y0	
Local Alarm					PLC Contacts C1 and Y1	Low Pressure in the Tank and High Temperature Fault (190°F Deg. At the Hood)
Micro-Switch	Dry Contacts	Com / NO / NC	15		Micro-Switch above Tank Actuation Paddle	Mechanical Discharge of the Tank



# Manual Pull Station Data

## D1000-MPK

### (Included in NFPA Models)

The Manual Pull Station (D1000-MPK) is designed to discharge the D1000 Model when a user pulls the tab from the Manual Pull Station Face Plate. The D1000-MPK is provided with 25 feet Stainless-steel Cable and with three 90 Degree Corner Pulleys. It is required to have 7-10 inches extra of the Stainless-steel Cable at the Pull Station Box.

The D1000-MPK comes equipped with the following:

- 1x Enclosure 4" x 1.5" Octagon Metal Box
- 1x Manual Pull Station Face Plate
- 1x 1/2" ENT Conduit Connector
- 3x 90 Degree Corner Pulleys
- 1x 25' Stainless-steel Cable with Clevis Pin



1x Enclosure 4" x 1.5"  
Octagon Metal Box



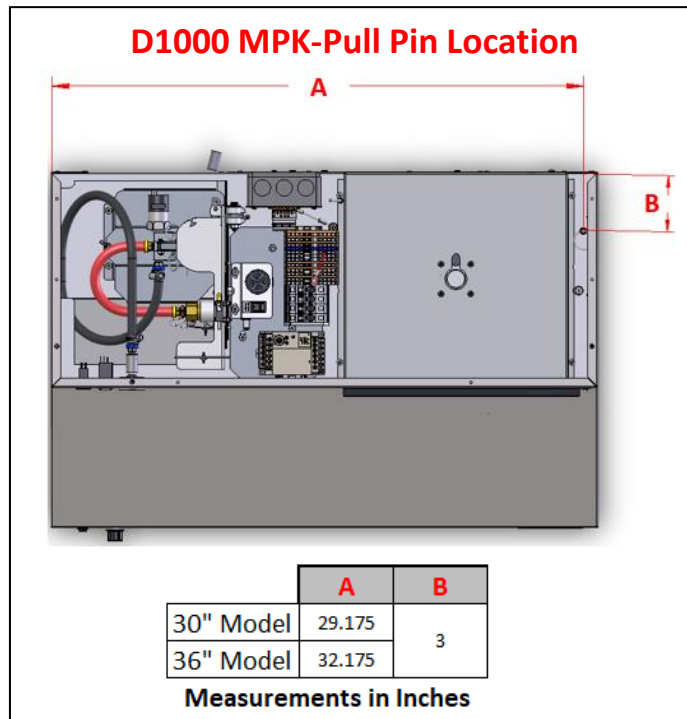
1x Manual Pull station  
Face Plate



1x 1/2" ENT Conduit  
Connector



3x 90' Degree Corner  
Pulleys



# ClockBox Specifications and Dimensions

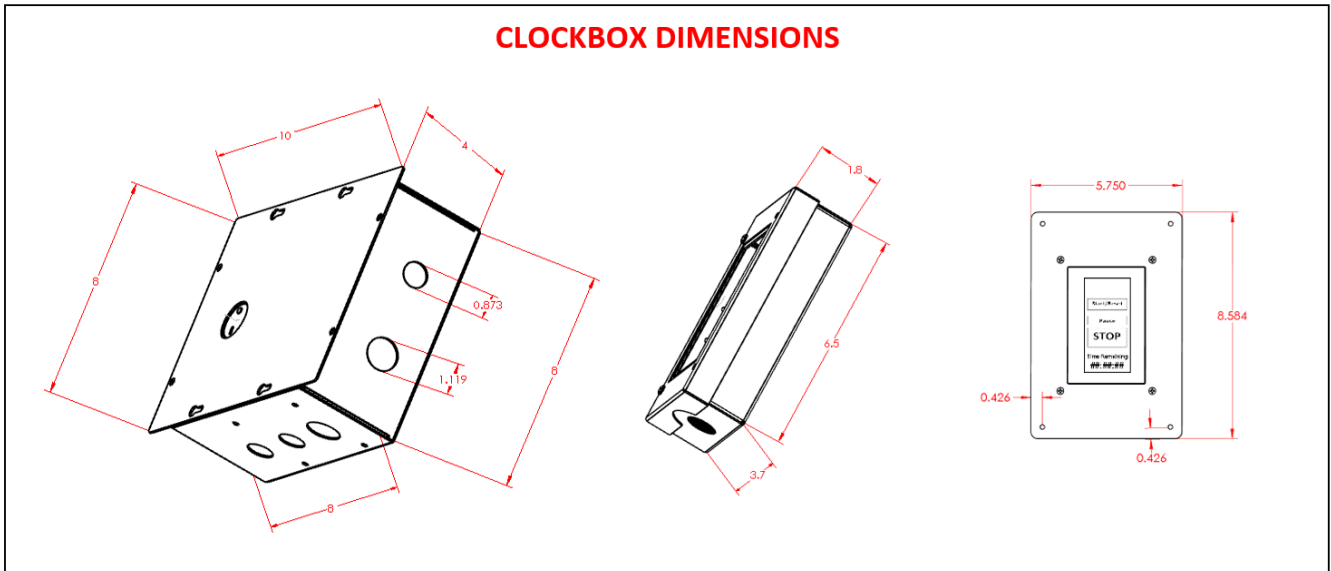
## CLBX/CLBX-PRO

(Included in NFPA Models)

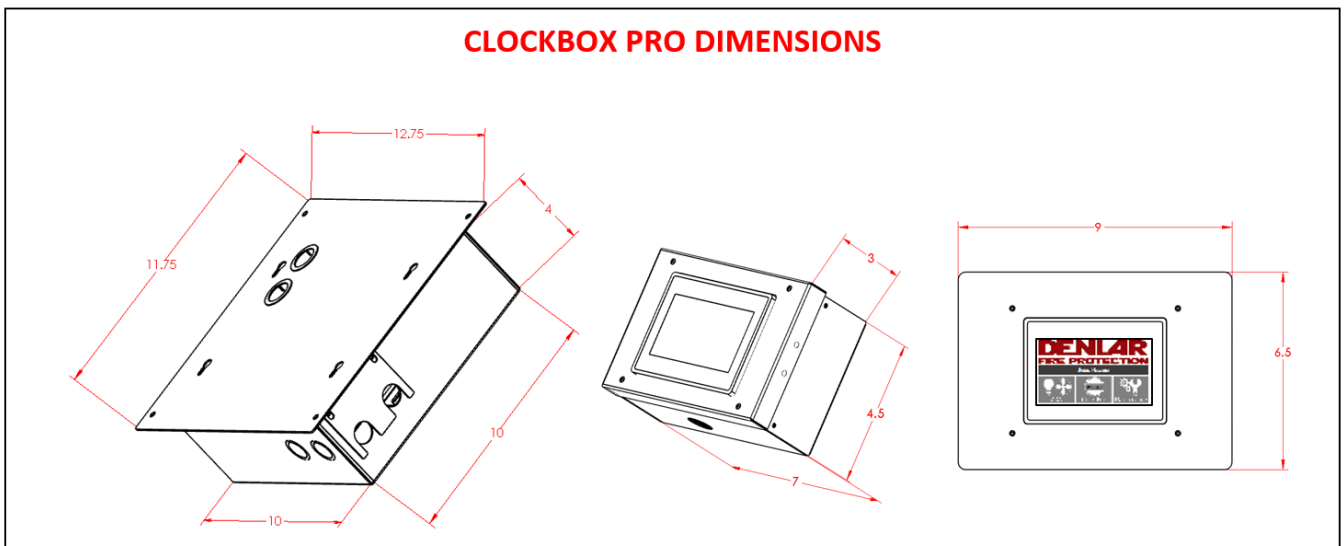
CLOCKBOX INFORMATION								
	MOUNTING	WEIGHT (Lbs.)	VOLATGE (AC)	PHASE	FREQUENCY (Hz.)	BREAKE SIZE (AMPS)	OPERATING CURRENT (AMPS)	Touch Screen Voltage (DC)
Clockbox Standard	Surface Mount or Flush	14	120	1	60	15	0.1	5
Clockbox Pro		18						24

CLOCKBOX FREATURES											
	TWO HOUR TIMER	PASSWORD PROTECTED	ADJUSTABLE TIMER	CHANGE PASSWORD	ADA COMPATIBLE	LANGUAGE SELECTION	INPUT / OUTPUT TO A MONITORING STATION / ALARM SYSTEM	INTERACTS WITH THE HOOD	DISPLAYS USER INSTRUCTIONS	DISPLAYS HOOD FAULTS	LOCKS OUT IF THERE IS A FAULT WITH THE HOOD
Clockbox Standard	Y	Y	Y	Y	N	N	N	N	N	N	N
Clockbox Pro	Y	Y	Y	Y	Y	Y	Y	Y	Y	Y	Y

### CLOCKBOX DIMENSIONS



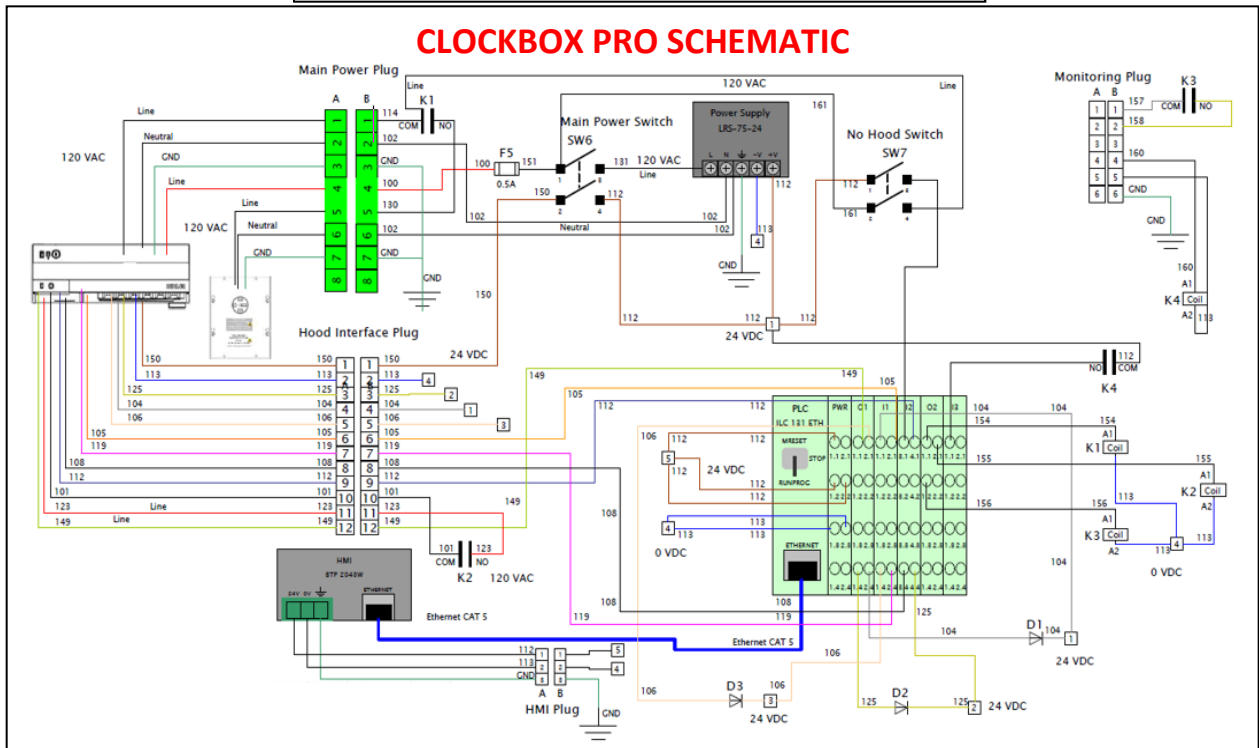
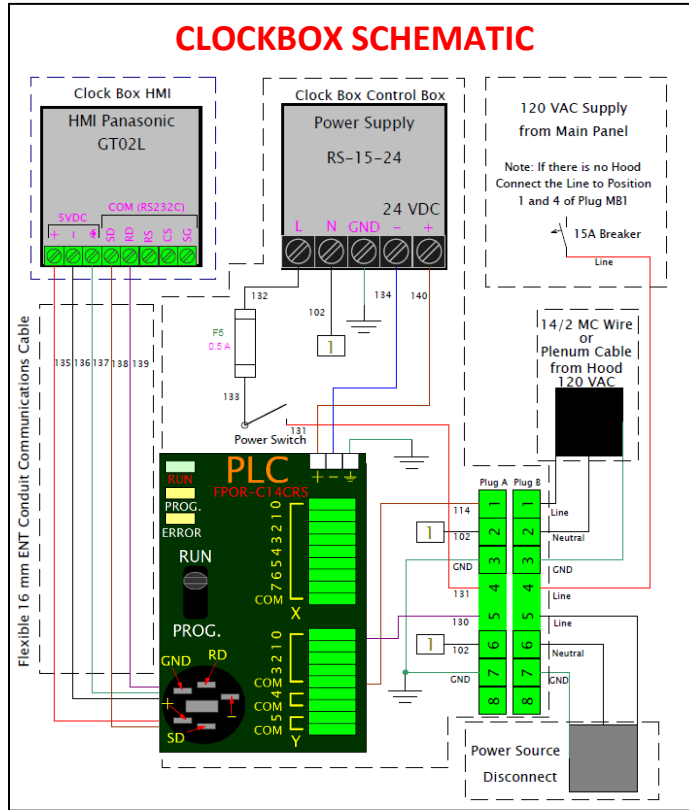
### CLOCKBOX PRO DIMENSIONS



# CLOCKBOX

## CLBX/CLBX-PRO

(Included in NFPA Models)

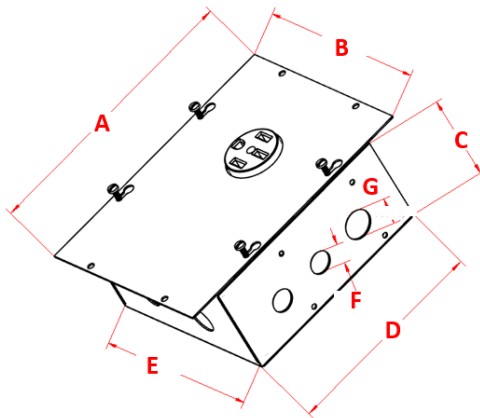


# ELECTRICAL DISCONNECT

## D1000-E

		ELECTRICAL SPECIFICATIONS								
		RECEPTACLE RATINGS			COIL RATINGS					
MODEL	PART NUMBER	NEMA	OUTPUT VOLTS (AC)	OUTPUT CURRENT (AMPS)	COIL VOLTAGE (AC)	PHASE	FREQUENCY (Hz.)	FUSE (AMPS)	FUSE TYPE	OPERATING CURRENT (AMPS)
D1000-E-120 5-15	ASY-300068	5-15R	120	15	120	1	60	0.5	5X20mm CARTRIDGE	0.25
DS-E-120 5-15	ASY-300071									
D1000-E-120 5-20	ASY-300035									
DS-E-120 5-20	ASY-300038	5-20R	20							
D1000-E-220 6-20	ASY-300067									
DS-E-220 6-20	ASY-300070	6-20R	220	50						
D1000-E-220 10-50	ASY-300055	10-50R								
DS-E-220 10-50	ASY-300069	14-50R								
D1000-E-220 14-50	ASY-200074									
DS-E-220 14-50	ASY-200178									

### DIMENSIONS AND WEIGHT

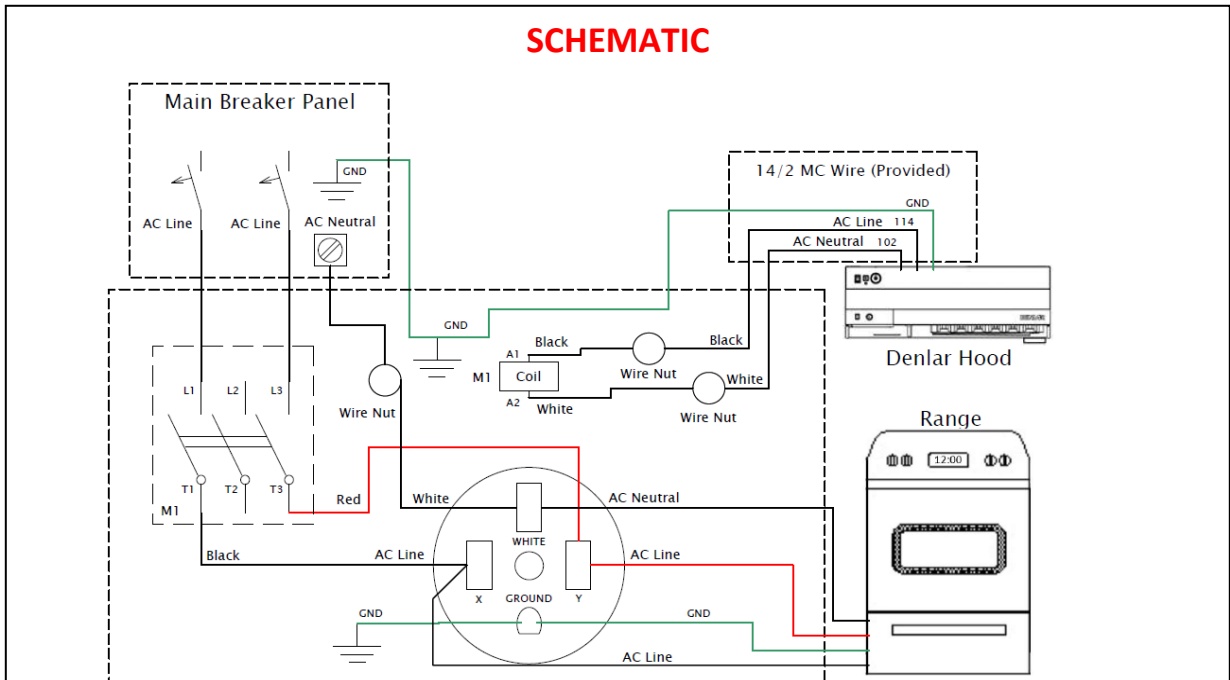


A	B	C	D	E	F	G
10.5	8	3.6	8	8	0.8	1.1

Measurements in Inches

MATERIAL INFORMATION			
WEIGHT (Lbs.)	MATERIAL	MOUNTING TYPE	MOUNTING HEIGHT
5.4	GALVANIZED	SURFACE OR FLUSH MOUNT	SEE LOCAL CODES

### SCHEMATIC

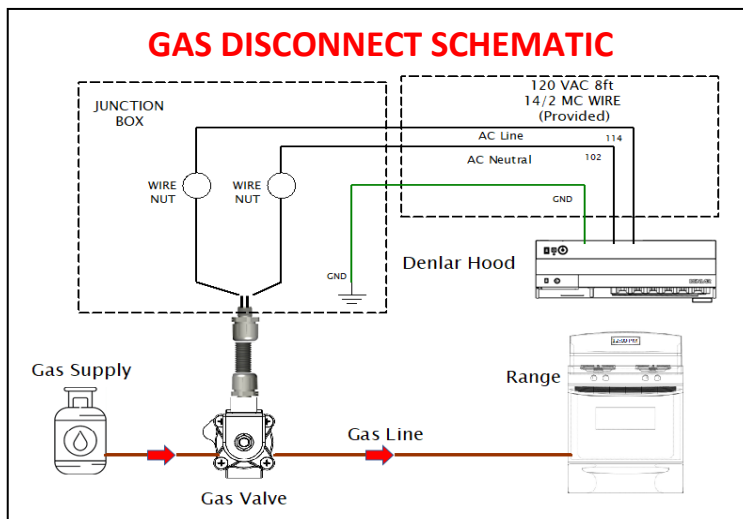
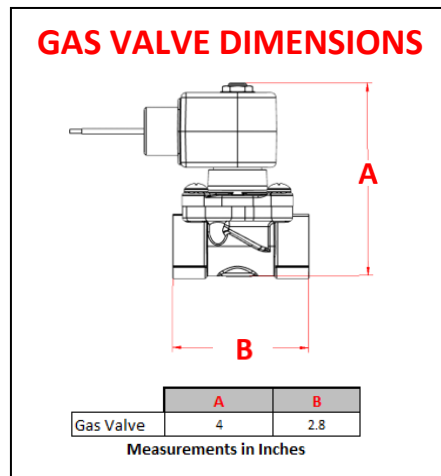


# GAS DISCONNECT

## D1000-G

GAS VALVE ELECTRICAL SPECIFICATIONS										
MODEL	PART NUMBER	COIL VOLTAGE (AC)	PHASE	FREQUENCY (Hz.)	FUSE (AMPS)	OPERATING CURRENT (AMPS)	VALVE TYPE	FUNCTION	ACTUATION TYPE	COIL TYPE
D1000-G	ASY-200094	120	1	60	0.5	0.25	2-WAY	NORMALLY CLOSED	DIRECT LIFT	1/2" NPT CONDUIT, 18' LEADS, CLASS F, NEMA 4X
DS-G	ASY-200184									

MATERIAL INFORMATION											
BODY MATERIAL	SEAL MATERIAL	ORIFICE SIZE	PORT SIZE	NUMBER OF PORTS	PORT TYPE	MEDIA	MINIMUM PRESSURE DIFFERENTIAL	MAXIMUM PRESSURE DIFFERENTIAL	MINIMUM FLUID TEMPERATURE	MAXIMUM FLUID TEMPERATURE	FLOW COEFFICIENT
BRASS	NBR	7/16"	3/4"	2	NPT	GENERAL PURPOSE FOR AIR, LIQUIDS, AND GASES	0 PSI	100 PSI (AC) PSI	0° F	185° F	5 Cv

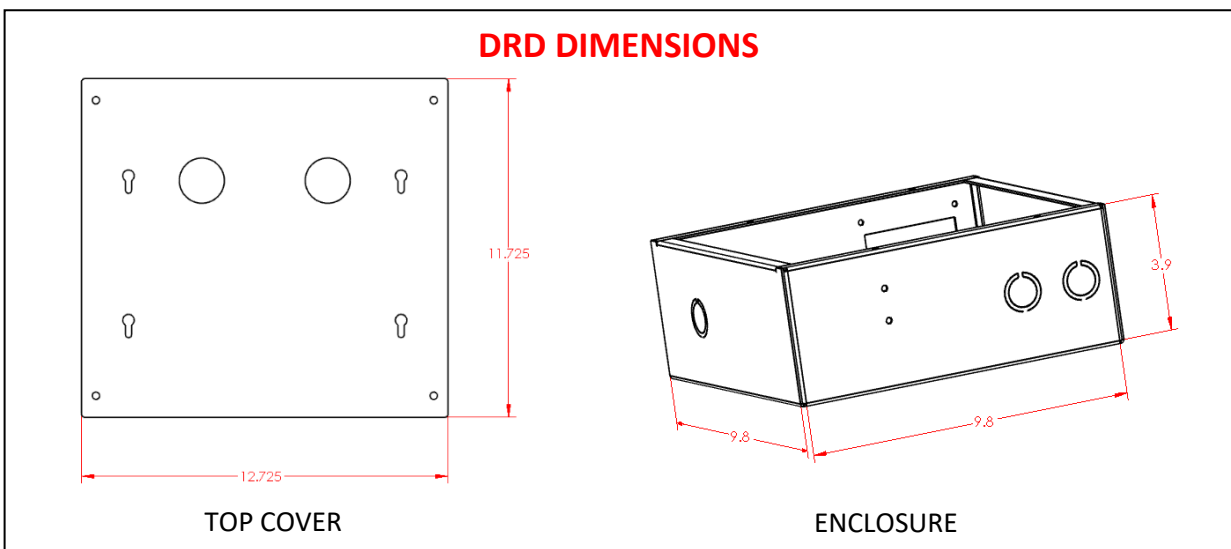


# DUAL RECEPTACLE DISCONNECT

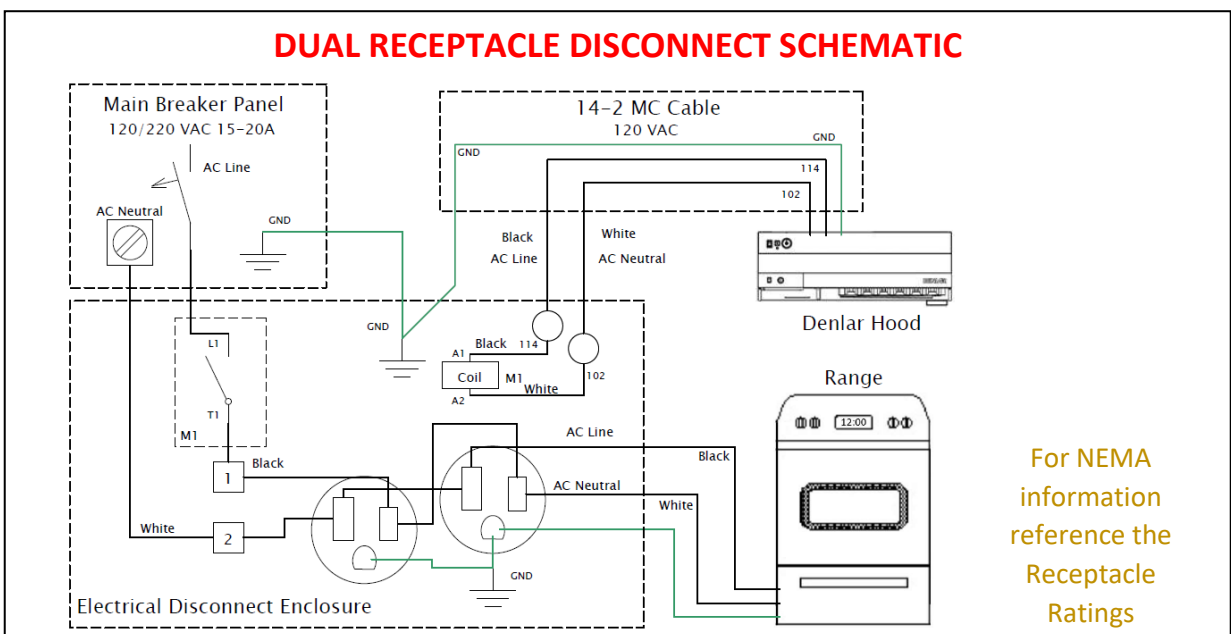
## D1000-DRD

MODEL	PART NUMBER	ELECTRICAL SPECIFICATIONS								
		RECEPTACLE RATINGS			COIL RATINGS					
		NEMA	OUTPUT VOLTS (AC)	OUTPUT CURRENT (AMPS)	COIL VOLTAGE (AC)	PHASE	FREQUENCY (Hz.)	FUSE (AMPS)	FUSE TYPE	OPERATING CURRENT (AMPS)
D1000-DRD-120 5-15	ASY-300025	5-15R	120	15	120	1	60	0.5	5X20mm CARTRIDGE	0.25
DS-DRD-120 5-15										
D1000-DRD-120 5-20	ASY-300026	5-20R	120	20	120	1	60	0.5	5X20mm CARTRIDGE	0.25
DS-DRD-120 5-20										
D1000-DRD-220 6-20	ASY-300027	6-20R	220	20	120	1	60	0.5	5X20mm CARTRIDGE	0.25
DS-DRD-220 6-20										

### DRD DIMENSIONS



### DUAL RECEPTACLE DISCONNECT SCHEMATIC



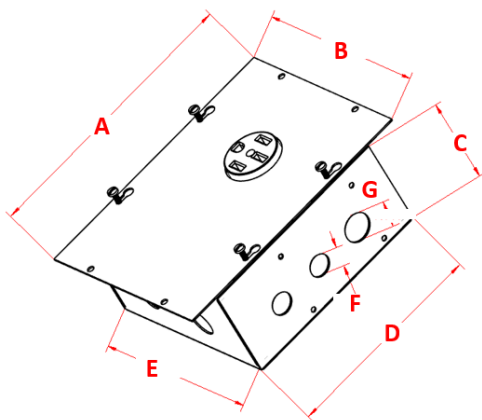
For NEMA information reference the Receptacle Ratings

# DUAL ELEMENT DISCONNECT

## D1000-DED

		ELECTRICAL SPECIFICATIONS								
		RECEPTACLE RATINGS			COIL RATINGS					
MODEL	PART NUMBER	NEMA	OUTPUT VOLTS (AC)	OUTPUT CURRENT (AMPS)	COIL VOLTAGE (AC)	PHASE	FREQUENCY (Hz.)	FUSE (AMPS)	FUSE TYPE	OPERATING CURRENT (AMPS)
D1000-DED-120 5-15	ASY-300036	5-15R	120	15	120	1	60	0.5	5X20mm CARTRIDGE	0.25
DS-DED-120 5-15	ASY-300037									
D1000-DED-120 5-20	ASY-300036	5-20R	20							
DS-DED-120 5-20	ASY-300037									
D1000-DED-220 6-20	ASY-200068	6-20R	220	50						
DS-DED-220 6-20	ASY-300070									
D1000-DED-220 10-50	ASY-200068	10-50R	50							
DS-DED-220 10-50	ASY-300070									
D1000-DED-220 14-50	ASY-200068	14-50R	50							
DS-DED-220 14-50	ASY-300070									

### DIMENSIONS AND WEIGHT



A	B	C	D	E	F	G
10.5	8	3.6	8	8	0.8	1.1

Measurements in Inches

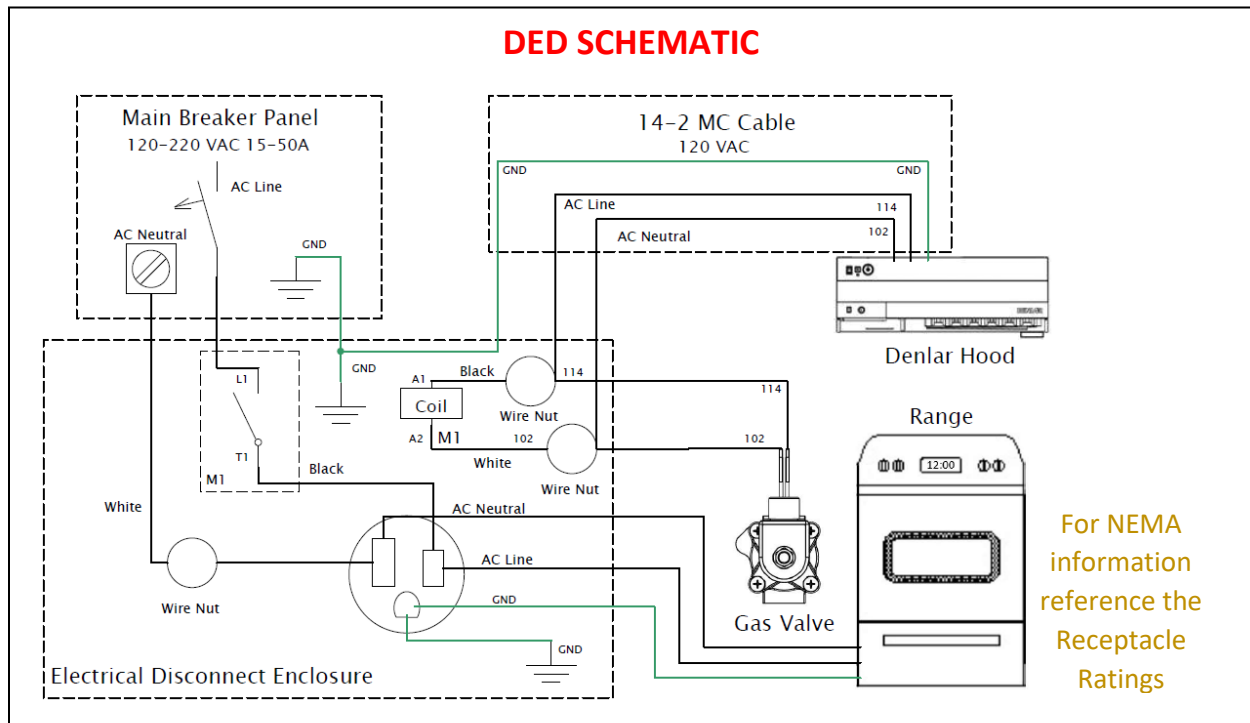
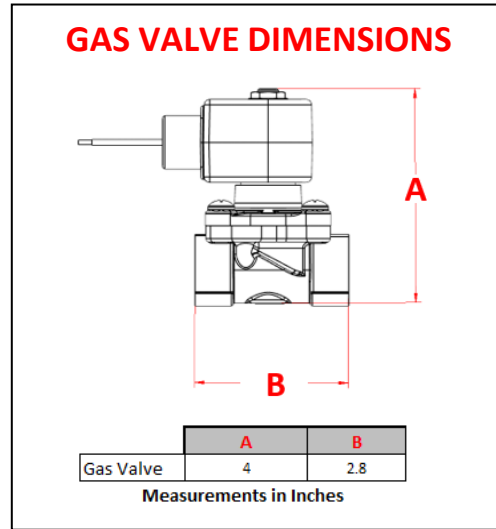
MATERIAL INFORMATION			
WEIGHT (Lbs.)	MATERIAL	MOUNTING TYPE	MOUNTING HEIGHT
5.4	GALVANIZED	SURFACE OR FLUSH MOUNT	SEE LOCAL CODES

GAS VALVE ELECTRICAL SPECIFICATIONS										
MODEL	PART NUMBER	COIL VOLTAGE (AC)	PHASE	FREQUENCY (Hz.)	FUSE (AMPS)	OPERATING CURRENT (AMPS)	VALVE TYPE	FUNCTION	ACTUATION TYPE	COIL TYPE
D1000-DED-120	ASY-300036	120	1	60	0.5	0.25	2-WAY	NORMALLY CLOSED	DIRECT LIFT	1/2" NPT CONDUIT, 18' LEADS, CLASS F, NEMA 4X
DS-DED-120	ASY-300037									
D1000-DED-220	ASY-200068									
DS-DED-220	ASY-300070									

MATERIAL INFORMATION											
BODY MATERIAL	SEAL MATERIAL	ORIFICE SIZE	PORT SIZE	NUMBER OF PORTS	PORT TYPE	MEDIA	MINIMUM PRESSURE DIFFERENTIAL	MAXIMUM PRESSURE DIFFERENTIAL	MINIMUM FLUID TEMPERATURE	MAXIMUM FLUID TEMPERATURE	FLOW COEFFICIENT
BRASS	NBR	7/16"	3/4"	2	NPT	GENERAL PURPOSE FOR AIR, LIQUIDS, AND GASES	0 PSI	100 PSI (AC) PSI	0° F	185° F	5 Cv

# DUAL ELEMENT DISCONNECT

*D1000-DED*

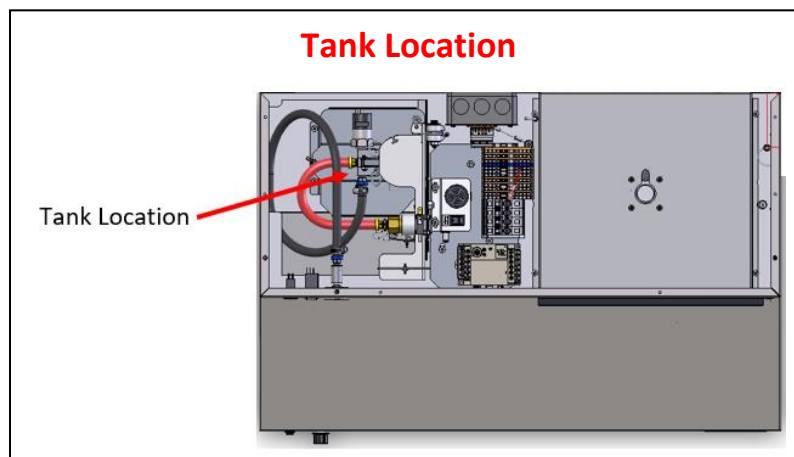
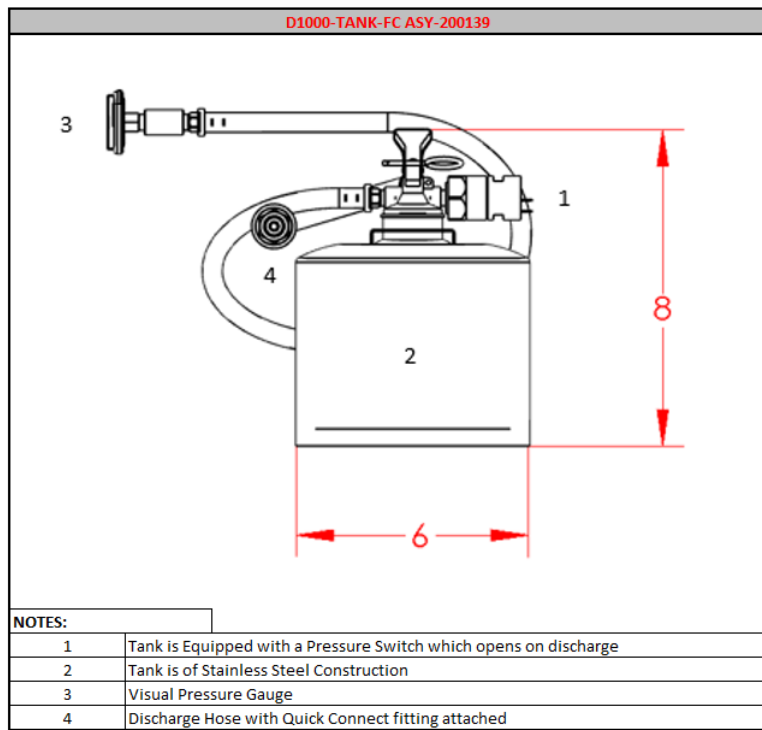


# TANK FULLY CHARGED

## D1000-TANK-FC

(Integral to all D1000 Hood Models)

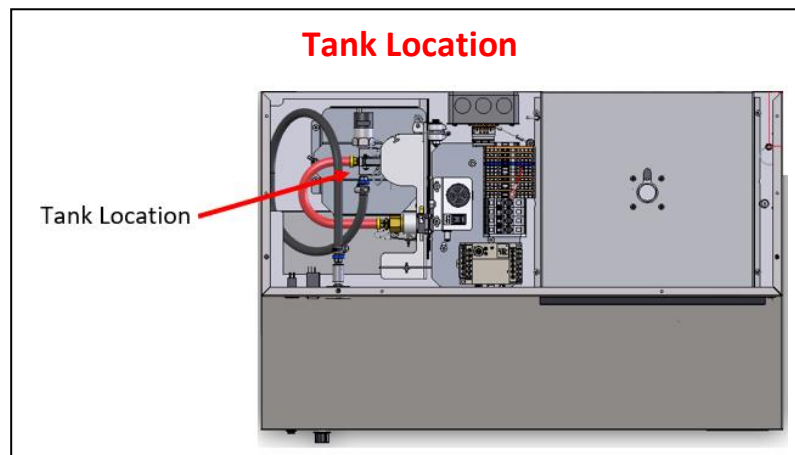
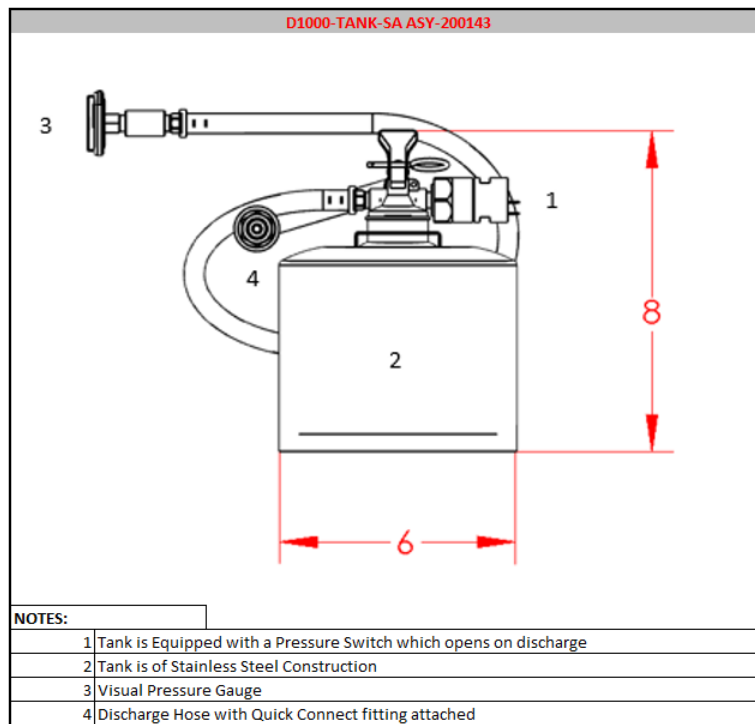
Tank Information													
MODEL	PART NUMBER	TYPE	COMPLIANCE	MOUNTING CONFIGURATION	LENGTH (In.)	DEPTH (In.)	HEIGHT (In.)	WEIGHT (Lbs.)	VESSEL	CHEMICAL TYPE	VOLUME (mL.)	CHEMICAL WEIGHT (Lbs.)	PRESSURE (PSI)+8%
D1000-TANK-FC	ASY-200139	Self Contained Fire Suppression System	UL-1995	Integral to the Hood	N/A	6	8	9.4	Stainless Steel	Amerex 660	1300	2.2	102



# TANK WITH AMEREX AND NOT CHARGED

## D1000-TANK-SA

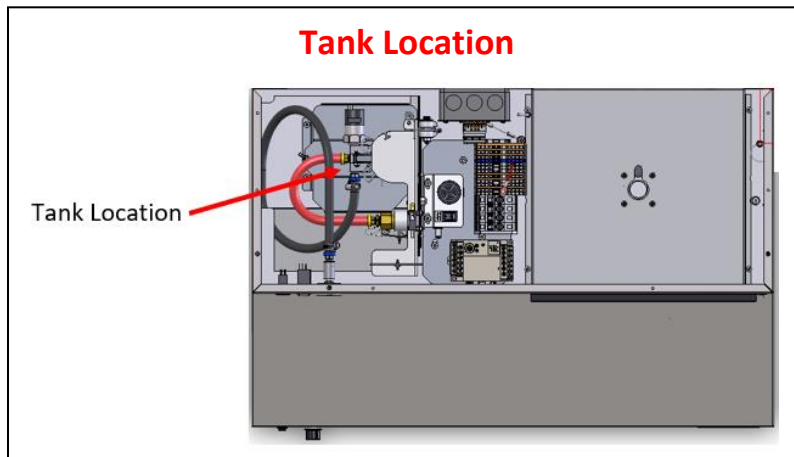
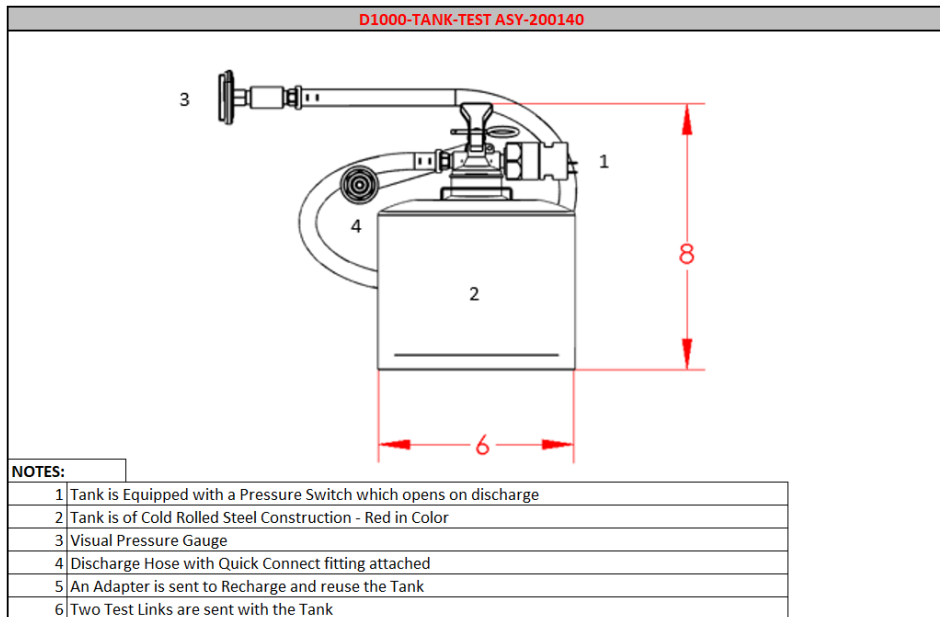
Tank Information													
MODEL	PART NUMBER	TYPE	COMPLIANCE	MOUNTING CONFIGURATION	LENGTH (In.)	DEPTH (In.)	HEIGHT (In.)	WEIGHT (Lbs.)	VESSEL	CHEMICAL TYPE	VOLUME (mL)	CHEMICAL WEIGHT (Lbs.)	PRESSURE (PSI)+8%
D1000-TANK-SA	ASY-200143	Self Contained Fire Suppression System	UL-1995	Integral to the Hood	N/A	6	8	6	Stainless Steel	Amerex 660	1300	2.2	(Charge to 102 on location)



# TANK TEST – NITROGEN CHARGED ONLY

## D1000-TANK-TEST

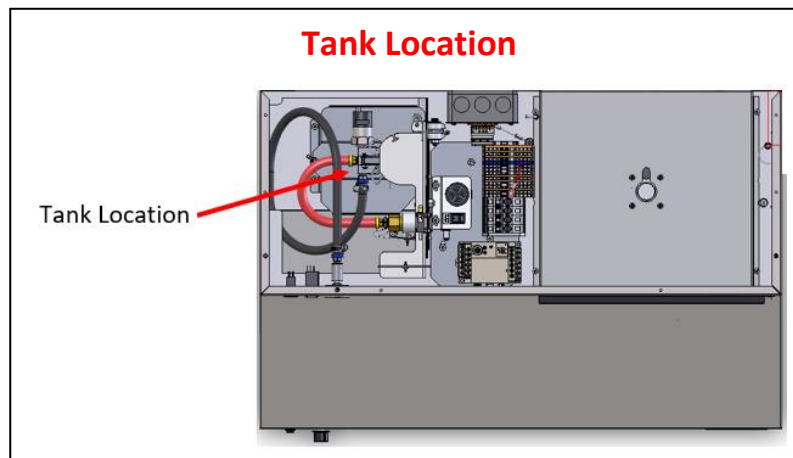
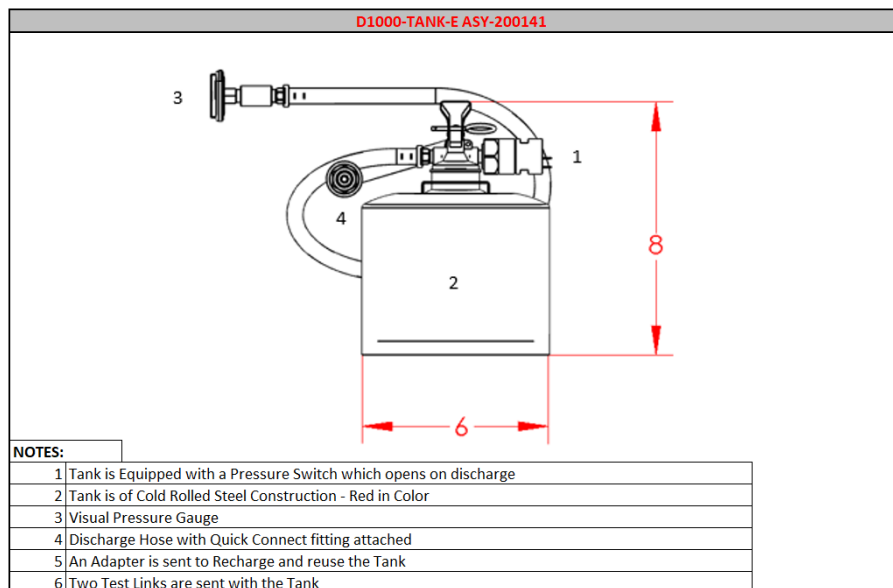
MODEL	PART NUMBER	Tank Information											
		TYPE	COMPLIANCE	MOUNTING CONFIGURATION	LENGTH (In.)	DEPTH (In.)	HEIGHT (In.)	WEIGHT (Lbs.)	VESSEL	CHEMICAL TYPE	VOLUME (mL.)	CHEMICAL WEIGHT (Lbs.)	PRESSURE (PSI)+8%
D1000-TANK-TEST	ASY-200140	Self Contained Fire Suppression Test System with Nitrogen	UL-1995	Integral to the Hood	N/A	6	8	6	CRS	None	0	None	102



# TANK NOT CHARGED

## D1000-TANK-E

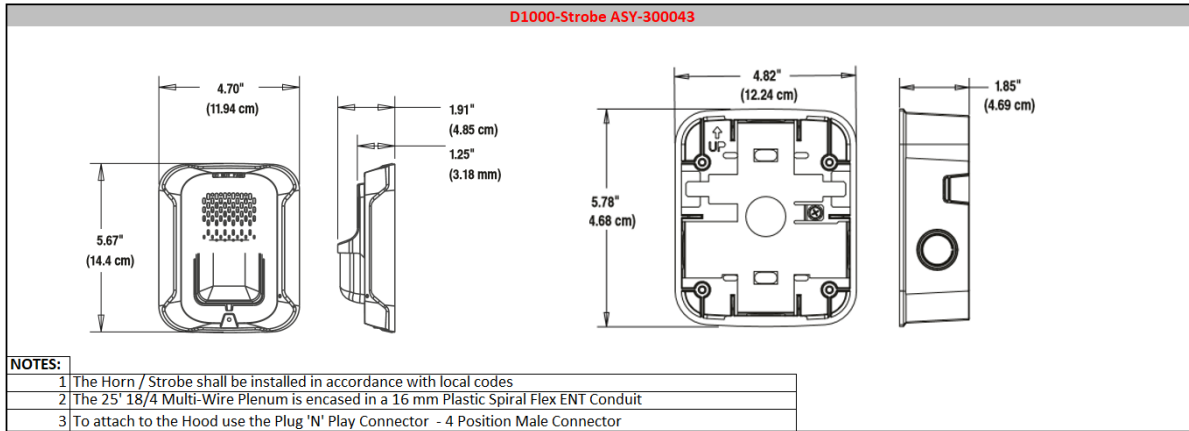
Tank Information													
MODEL	PART NUMBER	TYPE	COMPLIANCE	MOUNTING CONFIGURATION	LENGTH (In.)	DEPTH (In.)	HEIGHT (In.)	WEIGHT (Lbs.)	VESSEL	CHEMICAL TYPE	VOLUME (mL.)	CHEMICAL WEIGHT (Lbs.)	PRESSURE (PSI)+8%
D1000-TANK-E	ASY-200141	Self Contained Fire Suppression Test System	UL-1995	Integral to the Hood	N/A	6	8	6	CRS	None	0	None	(Charge to 102 on location)



# HORN AND STROBE

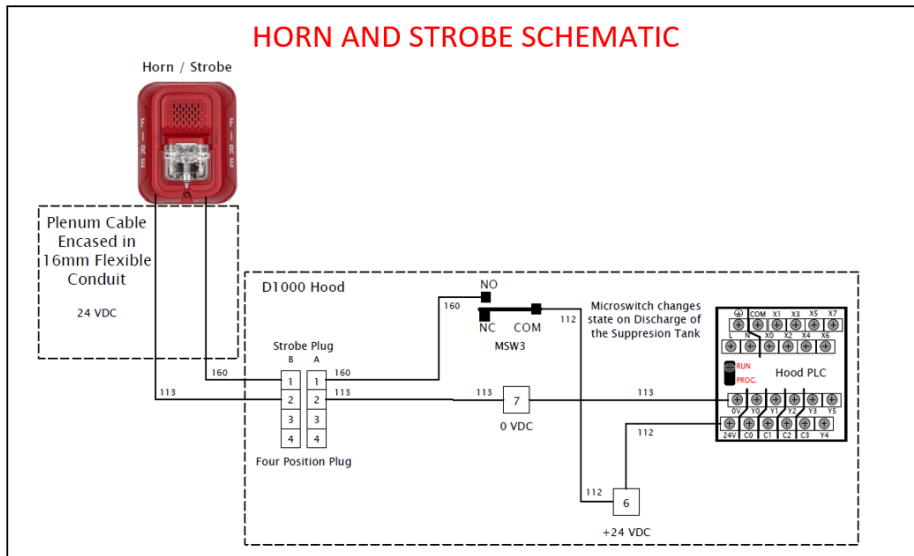
## D1000-STROBE

D1000-STROBE SPECIFICATIONS										
MODEL	PART NUMBER	VOLTAGE (DC)	WEIGHT (Lbs.)	LENGTH (In.)	DEPTH (In.)	HEIGHT (In.)	MATERIAL	MOUNTING CONFIGURATION	MOUNTING HEIGHT (IN.)	Approvals
D1000-STROBE	ASY-300043	24	2.4	4.82	3.77	5.78	PLASTIC	SURFACE MOUNT OR FLUSH MOUNT	SEE LOCAL CODES	UL, FM, State of California State Fire Marshal



Horn Output (dBA)			
Switch Position	Sound Pattern	dB Setting	dB
1	Temporal	High	89
		Low	83
	Non-Temporal	High	90
		Low	84
	3.15 KHz Temporal	High	88
		Low	82
	3.15 KHz Non-Temporal	High	89
		Low	83

Light Output horizontal Dispersion	
Degrees	Percent of Rating
0	100
5 to 25	90
30 to 45	75
50	55
55	45
60	40
65	35
70	35
75	30
80	30
85	25
90	25
Compound 45 to the left	24
Compound 45 to the right	24



Vertical Dispersion – Wall to Floor	
Degrees	Percent of Rating
0	100
5 to 30	90
35	65
40	46
45	34
50	27
55	22
60	18
65	16
70	15
75	13
80	12
85	12
90	12

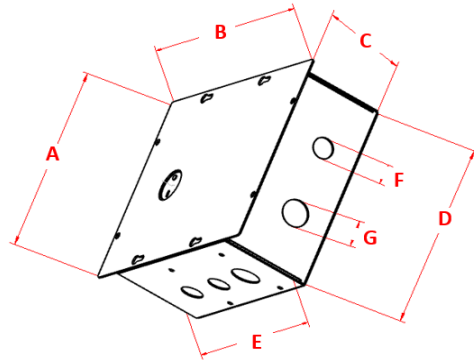
# FAN BY OTHERS

## D10000-FBO

MODEL	PART NUMBER	COIL RATINGS						MATERIAL INFORMATION			
		COIL VOLTAGE (AC)	PHASE	FREQUENCY (Hz.)	FUSE (AMPS)	FUSE TYPE	OPERATING CURRENT (AMPS)	WEIGHT (Lbs.)	MATERIAL	MOUNTING CONFIGURATION	MOUNTING HEIGHT (IN.)
D1000-FBO	ASY-300041	120	1	60	0.5	5X20mm CARTRIDGE	0.25	6.4	PLASTIC	SURFACE MOUNT OR FLUSH MOUNT	SEE LOCAL CODES

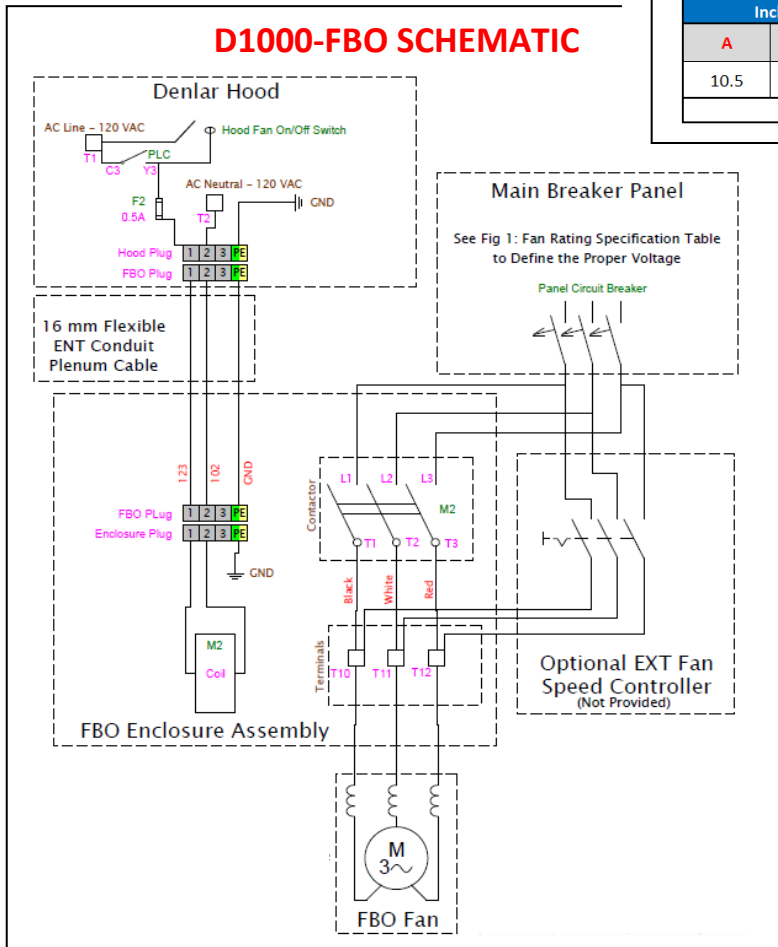
Fan Rating Specification			
Phase	Voltage	HP	Amps
1 PH	120	2	24
1 PH	240	3	17
3 PH	200-208	7.5	25.3
3 PH	220-240	7.5	22
3 PH	440-480	15	21
3 PH	550-600	20	22

### D1000-FBO DIMENSIONS



Includes a 15' 16mm Flexibe ENT Conduit with Plenum Cable						
A	B	C	D	E	F	G
10.5	8	3.6	8	8	0.8	1.1
Measurements in Inches						

### D1000-FBO SCHEMATIC



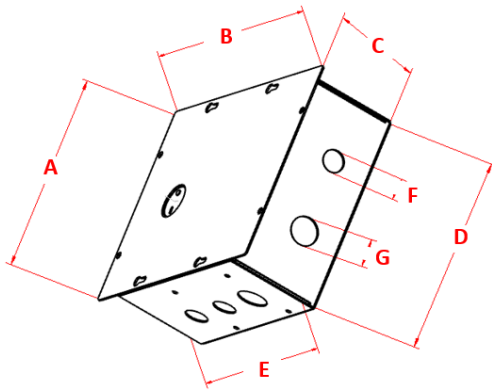
# MAKE-UP AIR FAN CONTROL MODULE

## D1000-MACM

### (Or Damper Control)

MODEL	PART NUMBER	COIL RATINGS						RELAY CONTACT INFORMATION			
		COIL VOLTAGE (AC)	PHASE	FREQUENCY (Hz.)	FUSE (AMPS)	FUSE TYPE	OPERATING CURRENT (AMPS)	FUSE (AMPS)	RELAY CONTACT RATING (AMPS)	OPERATING CURRENT (AMPS)	OUTPUT VOLTS (AC)
D1000-MACM	ASY-300040	120	1	60	0.5	5X20mm CARTRIDGE	0.25	10	10	SEE FAN MODEL	SEE FAN MODEL

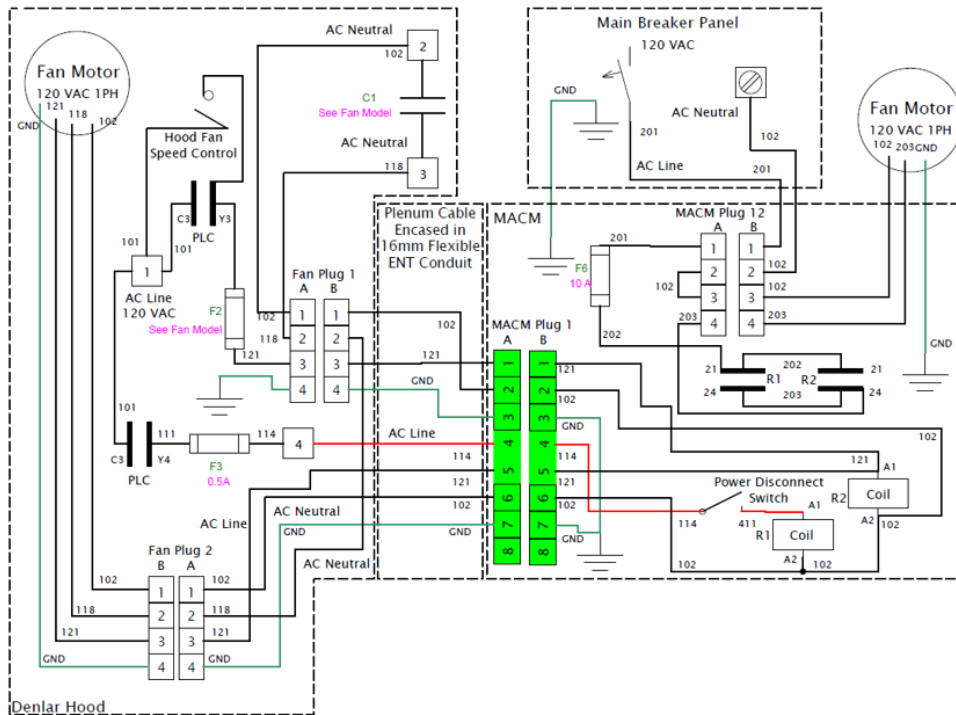
### D1000-MACM DIMENSIONS



Includes a 15' 16mm Flexibe ENT Conduit with Plenum Cable						
A	B	C	D	E	F	G
10.5	8	3.6	8	8	0.8	1.1
Measurements in Inches						

MATERIAL INFORMATION			
WEIGHT (Lbs.)	MATERIAL	MOUNTING TYPE	MOUNTING HEIGHT
6.4	GALVANIZED	SURFACE OR FLUSH MOUNT	SEE LOCAL CODES

### D1000-MACM SCHEMATIC

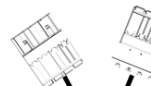
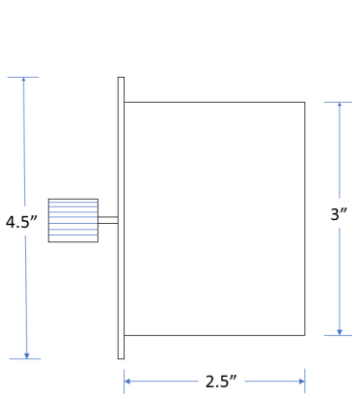


# CFM LIMITING SPEED CONTROL

## D1000-LSC

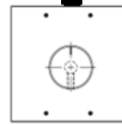
MODEL	PART NUMBER	ELECTRICAL					MATERIAL INFORMATION				
		VOLTAGE (AC)	FUSE (AMPS)	OPERATING CURRENT (AMPS)	PHASE	FREQUENCY (Hz.)	WEIGHT (Lbs.)	MATERIAL	MOUNTING CONFIGURATION	MOUNTING HEIGHT (IN.)	CONDUIT
D1000-LSC	ASY-300034	120	SEE FAN MODEL	SEE FAN MODEL	1	60	2.4	PLASTIC AND STEEL	SURFACE MOUNT OR FLUSH MOUNT	SEE LOCAL CODES	15FT. 16mm FLEXIBLE ENT CONDUIT

### D1000-LSC DIMENSIONS



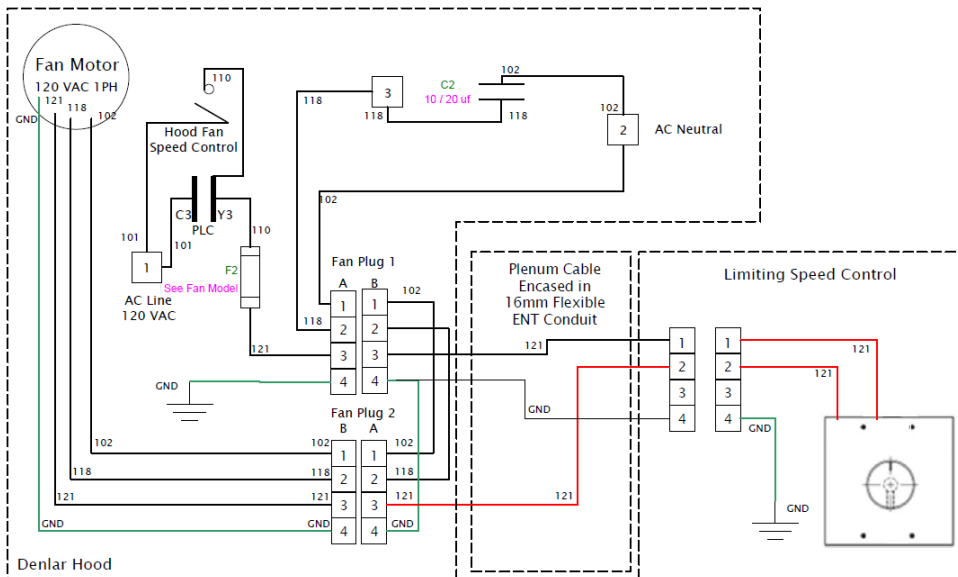
MALE AND FEMALE  
PLUG 'N' PLAY  
CONNECTORS

15' of PLENUM CABLE  
ENCASED IN 16mm  
FLEXIBLE ENT CONDUIT



SPEED CONTROLLER IN A  
2-GANG STEEL BOX WITH  
PLASTIC WALL PLATE

### D1000-LSC SCHEMATIC

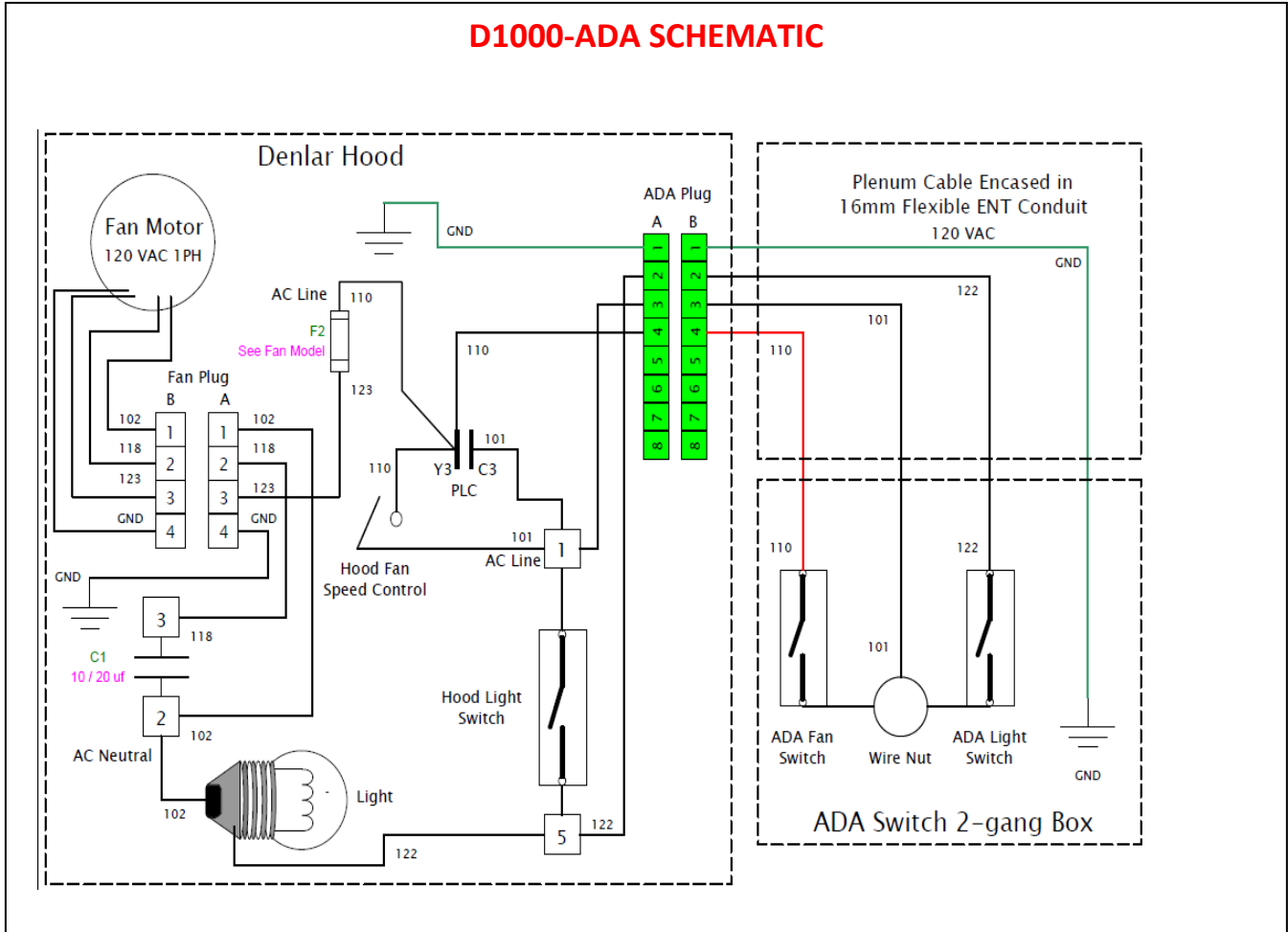


# HANDICAP ACCESSIBLE CONTROLS

## D1000-ADA

MODEL	PART NUMBER	ELECTRICAL INFORMATION					MATERIAL INFORMATION							
		VOLTAGE (AC)	FUSE (AMPS)	OPERATING CURRENT (AMPS)	PHASE	FREQUENCY (Hz.)	WEIGHT (Lbs.)	LENGTH (In.)	DEPTH (In.)	HEIGHT (In.)	MATERIAL	MOUNTING CONFIGURATION	MOUNTING HEIGHT (In.)	CONDUIT
D1000-ADA	ASY-200055	120	SEE FAN MODEL	SEE FAN MODEL	1	60	1.5	3.75	2.5	3	PLASTIC AND STEEL	SURFACE MOUNT OR FLUSH MOUNT	SEE LOCAL CODES	15FT. 16mm FLEXIBLE ENT CONDUIT
DS-ADA	ASY-200175													

### D1000-ADA SCHEMATIC



# TOP COVER

*D1036-TCI*

**(D1000 Only)**

