




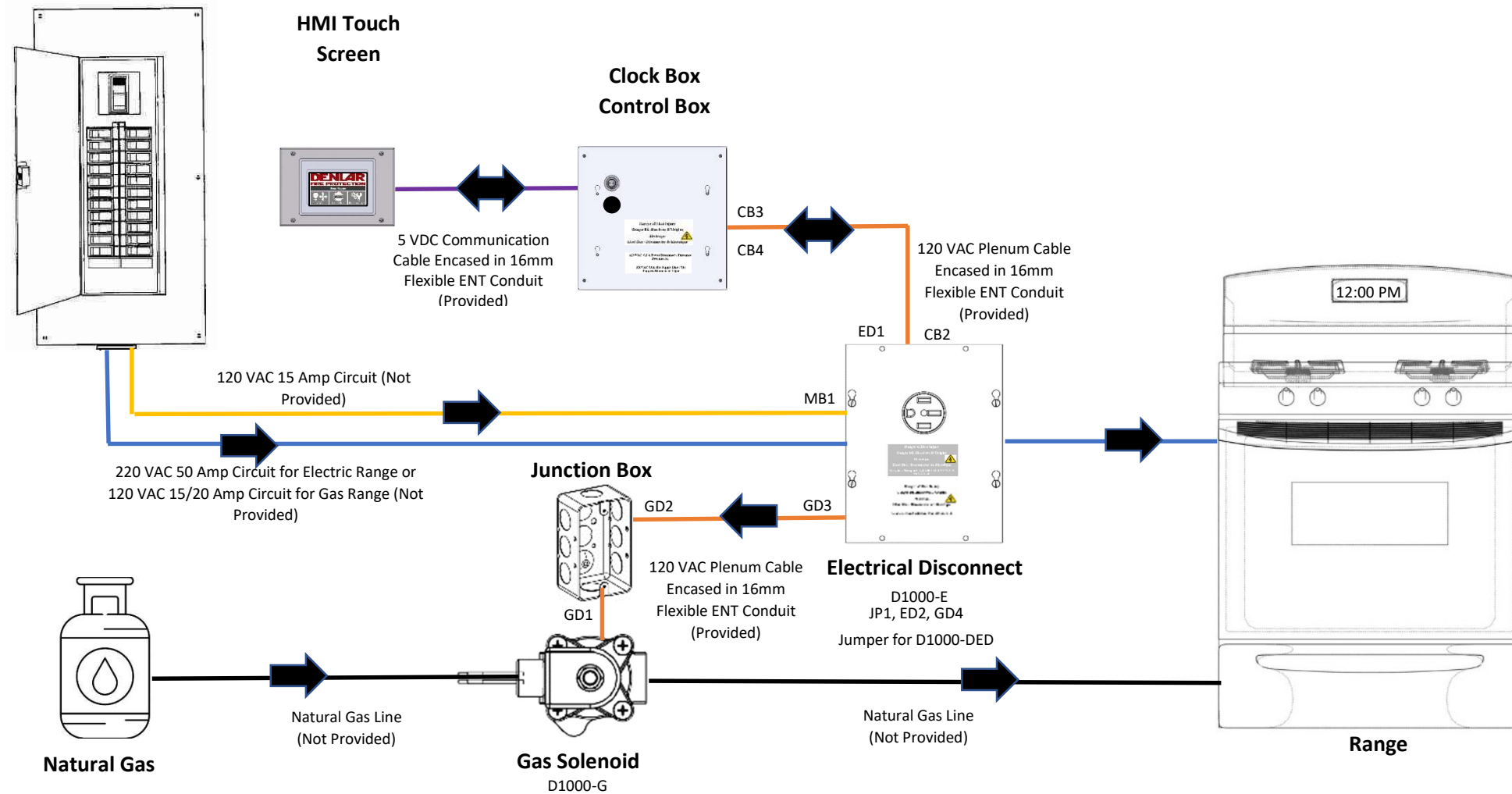


Device Flow Chart

Plug'N'Play Connector					
ID	Description	From	To Mating Configuration depending on model		
			Clock Box and D1000-E	Clock Box and D1000-G	Clock Box and D1000-DED
MB1	Main Breaker Panel 120 VAC	Main Breaker Panel	CB1	CB1	CB1
CB1	Clock Box Input	ClockBox	MB1	MB1	MB1
CB2	Clock Box Output	ClockBox	ED1	GD1	JP1
JP1	Jumper Plug Input	DED Jumper	X	X	CB2
GD1	Gas Disconnect Input	Gas Disconnect Valve	X	CB2	GD2
GD2	Jumper Plug Output	DED Jumper	X	X	GD1
ED1	Electrical Disconnect Input	Electrical Disconnect Coil	CB2	X	ED2
ED2	Jumper Plug Output	DED Jumper	X	X	ED1

Legend

-  The Orange Color Lines represents the Main 120 VAC Power from the Main Breaker Panel to the Hood and Clock Box (Optional).
-  The Blue Color Lines represent the Main 220 VAC 50 Amp Circuit for an Electric Range or the 120 VAC for a Gas Range Igniters and miscellaneous Electrical Components.
-  The Black Lines represents the Natural Gas Line.
-  The Purple Lines represents the 5VDC Communication Cable for the Clock Box Control Box to the HMI Touch Screen.
-  The Brown Lines represents the Input / Output of the Clock Box to the Power Source Disconnect.



DENLAR
FIRE PROTECTION
PRE-ENGINEERED RANGE HOODS
 The World's Only Fail-Safe UL300A Hood