

DENLAR

FIRE PROTECTION

PRE-ENGINEERED RANGE HOODS



DESIGNER SERIES DATASHEET ACCESSORIES

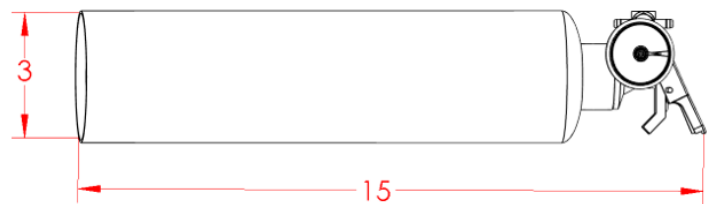
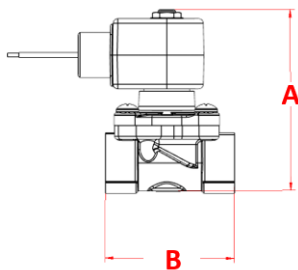
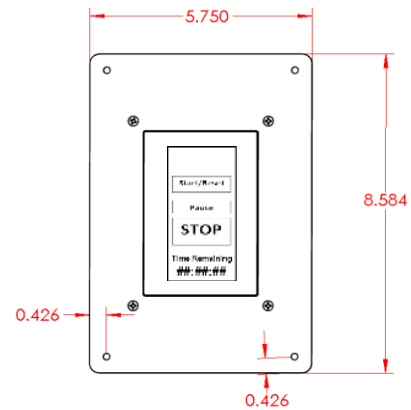
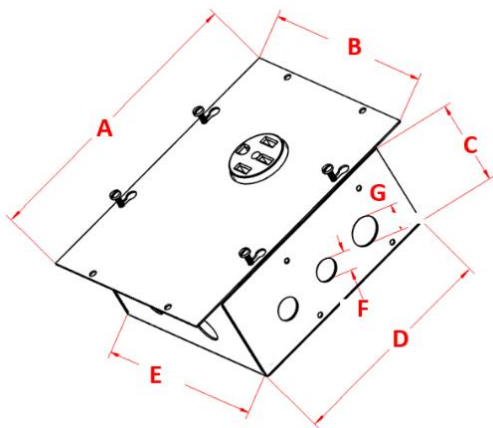


TABLE OF CONTENTS

Title	Page
ELECTRICAL DISCONNECT	2
GAS DISCONNECT	3
DUAL RECEPTACLE DISCONNECT	4
DUAL ELEMENT DISCONNECT	5-6
DESIGNER SERIES TANK – CHARGED	7
DESIGNER SERIES MEDIA TANK - NOT CHARGED	8
DESIGNER SERIES TEST TANK – CHARGED	9
DESIGNER SERIES TEST TANK – NOT CHARGED	10
CLOCK BOX	11
MANUAL PULL KIT	12
AMERICANS WITH DISABILITIES CONTROLS (ADA)	13

For the Warranty Statement please visit <https://www.denlarhoods.com/>.

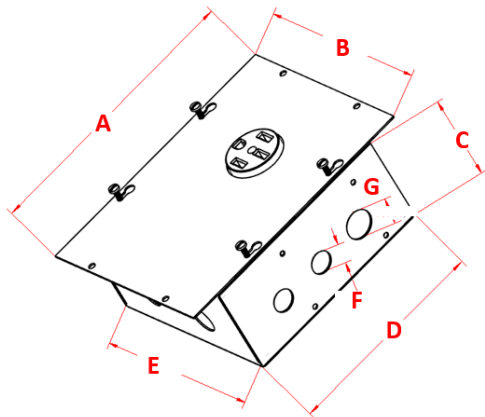
For installation or service calls please contact Denlar Service at 860-526-9846 or at service@denlarhoods.com.

For sales questions, please contact Denlar Sales at 860-526-9846 or at sales@denlarhoods.com.

ELECTRICAL DISCONNECT

		ELECTRICAL SPECIFICATIONS								
		RECEPTACLE RATINGS			COIL RATINGS					
MODEL	PART NUMBER	NEMA	OUTPUT VOLTS (AC)	OUTPUT CURRENT (AMPS)	COIL VOLTAGE (AC)	PHASE	FREQUENCY (Hz.)	FUSE (AMPS)	FUSE TYPE	OPERATING CURRENT (AMPS)
D1000-E-120 5-15	ASY-300068	5-15R	120	15	120	1	60	0.5	5X20mm CARTRIDGE	0.25
DS-E-120 5-15	ASY-300071			20						
D1000-E-120 5-20	ASY-300035	5-20R	120	20	120	1	60	0.5	5X20mm CARTRIDGE	0.25
DS-E-120 5-20	ASY-300038			20						
D1000-E-220 6-20	ASY-300067	6-20R	220	50	120	1	60	0.5	5X20mm CARTRIDGE	0.25
DS-E-220 6-20	ASY-300070	20								
D1000-E-220 10-50	ASY-300055	10-50R	220	50	120	1	60	0.5	5X20mm CARTRIDGE	0.25
DS-E-220 10-50	ASY-300069	50								
D1000-E-220 14-50	ASY-200074	14-50R	220	50	120	1	60	0.5	5X20mm CARTRIDGE	0.25
DS-E-220 14-50	ASY-200178									

DIMENSIONS AND WEIGHT

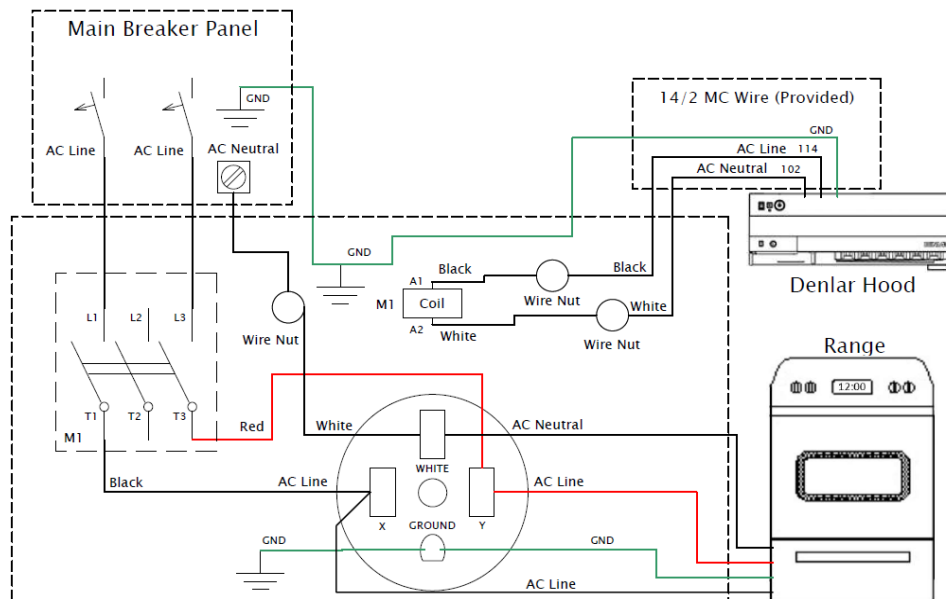


A	B	C	D	E	F	G
10.5	8	3.6	8	8	0.8	1.1

Measurements in Inches

MATERIAL INFORMATION			
WEIGHT (Lbs.)	MATERIAL	MOUNTING TYPE	MOUNTING HEIGHT
5.4	GALVANIZED	SURFACE OR FLUSH MOUNT	SEE LOCAL CODES

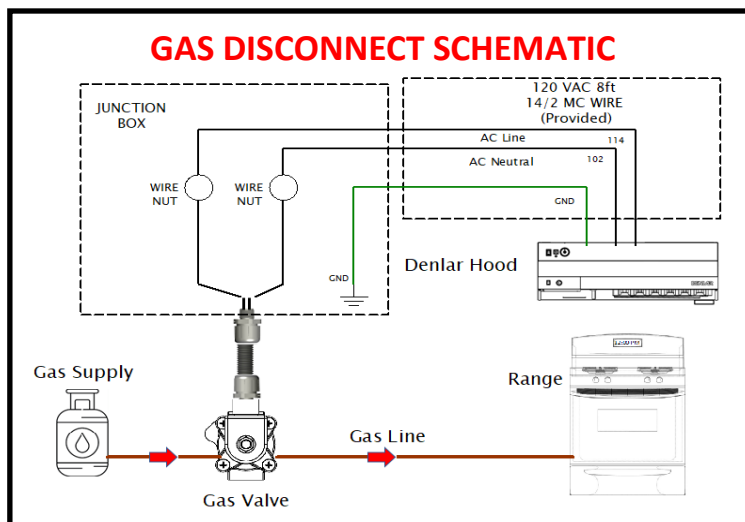
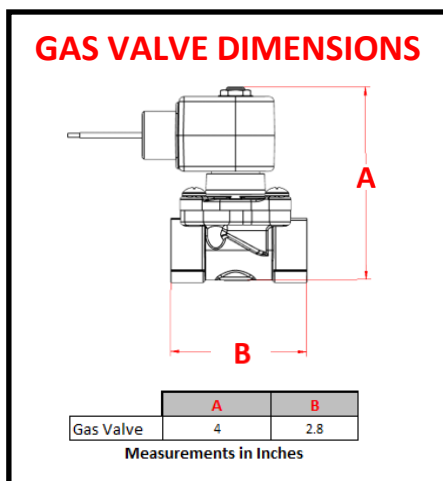
SCHEMATIC



GAS DISCONNECT

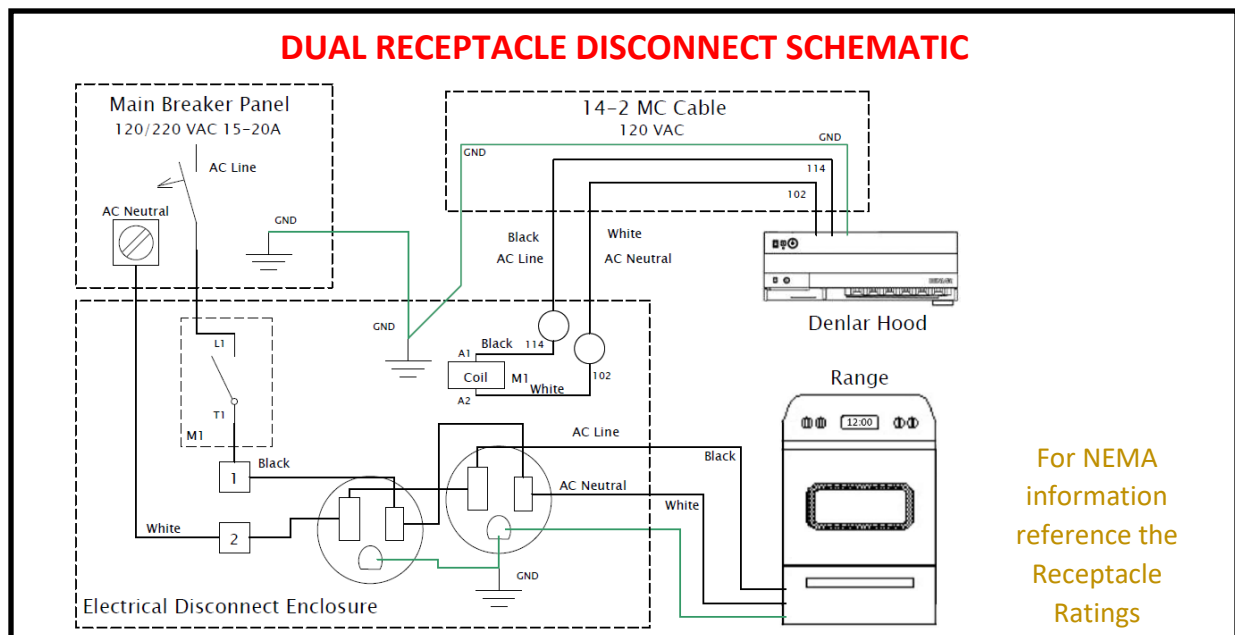
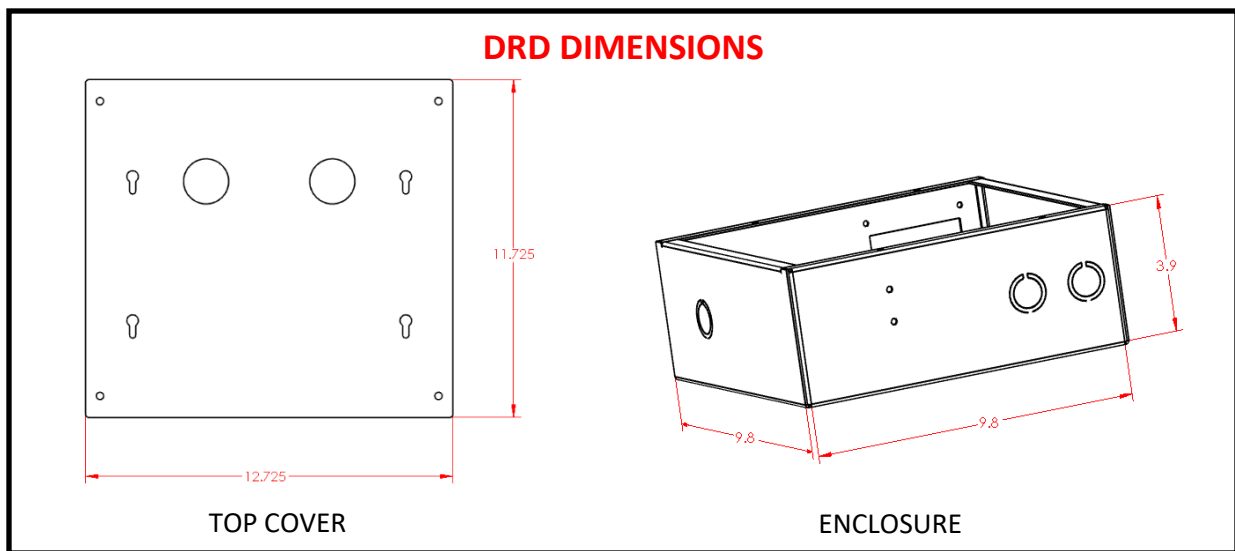
GAS VALVE ELECTRICAL SPECIFICATIONS										
MODEL	PART NUMBER	COIL VOLTAGE (AC)	PHASE	FREQUENCY (Hz.)	FUSE (AMPS)	OPERATING CURRENT (AMPS)	VALVE TYPE	FUNCTION	ACTUATION TYPE	COIL TYPE
D1000-G	ASY-200094	120	1	60	0.5	0.25	2-WAY	NORMALLY CLOSED	DIRECT LIFT	1/2" NPT CONDUIT, 18' LEADS, CLASS F, NEMA 4X
DS-G	ASY-200184									

MATERIAL INFORMATION												
BODY MATERIAL	SEAL MATERIAL	ORIFICE SIZE	PORT SIZE	NUMBER OF PORTS	PORT TYPE	MEDIA	MINIMUM PRESSURE DIFFERENTIAL	MAXIMUM PRESSURE DIFFERENTIAL	MINIMUM FLUID TEMPERATURE	MAXIMUM FLUID TEMPERATURE	FLOW COEFFICIENT	
BRASS	NBR	7/16"	3/4"	2	NPT	GENERAL PURPOSE FOR AIR, LIQUIDS, AND GASES	0 PSI	100 PSI (AC) PSI	0° F	185° F	5 Cv	



DUAL RECEPTACLE DISCONNECT

		ELECTRICAL SPECIFICATIONS								
		RECEPTACLE RATINGS			COIL RATINGS					
MODEL	PART NUMBER	NEMA	OUTPUT VOLTS (AC)	OUTPUT CURRENT (AMPS)	COIL VOLTAGE (AC)	PHASE	FREQUENCY (Hz.)	FUSE (AMPS)	FUSE TYPE	OPERATING CURRENT (AMPS)
D1000-DRD-120 5-15	ASY-300025	5-15R	120	15	120	1	60	0.5	5X20mm CARTRIDGE	0.25
DS-DRD-120 5-15				20						
D1000-DRD-120 5-20	ASY-300026	5-20R	120	15	120	1	60	0.5	5X20mm CARTRIDGE	0.25
DS-DRD-120 5-20				20						
D1000-DRD-220 6-20	ASY-300027	6-20R	220	15	120	1	60	0.5	5X20mm CARTRIDGE	0.25
DS-DRD-220 6-20				20						



For NEMA information reference the Receptacle Ratings

DUAL ELEMENT DISCONNECT

MODEL	PART NUMBER	ELECTRICAL SPECIFICATIONS								
		RECEPTACLE RATINGS			COIL RATINGS					
		NEMA	OUTPUT VOLTS (AC)	OUTPUT CURRENT (AMPS)	COIL VOLTAGE (AC)	PHASE	FREQUENCY (Hz.)	FUSE (AMPS)	FUSE TYPE	OPERATING CURRENT (AMPS)
D1000-DED-120 5-15	ASY-300036	5-15R	120	15	120	1	60	0.5	5X20mm CARTRIDGE	0.25
DS-DED-120 5-15	ASY-300037			20						
D1000-DED-120 5-20	ASY-300036	5-20R	120	20	120	1	60	0.5	5X20mm CARTRIDGE	0.25
DS-DED-120 5-20	ASY-300037			50						
D1000-DED-220 6-20	ASY-200068	6-20R	220	20	120	1	60	0.5	5X20mm CARTRIDGE	0.25
DS-DED-220 6-20	ASY-300070			50						
D1000-DED-220 10-50	ASY-200068	10-50R	220	50	120	1	60	0.5	5X20mm CARTRIDGE	0.25
DS-DED-220 10-50	ASY-300070			20						
D1000-DED-220 14-50	ASY-200068	14-50R	220	20	120	1	60	0.5	5X20mm CARTRIDGE	0.25
DS-DED-220 14-50	ASY-300070			50						

DIMENSIONS AND WEIGHT

A	B	C	D	E	F	G
10.5	8	3.6	8	8	0.8	1.1

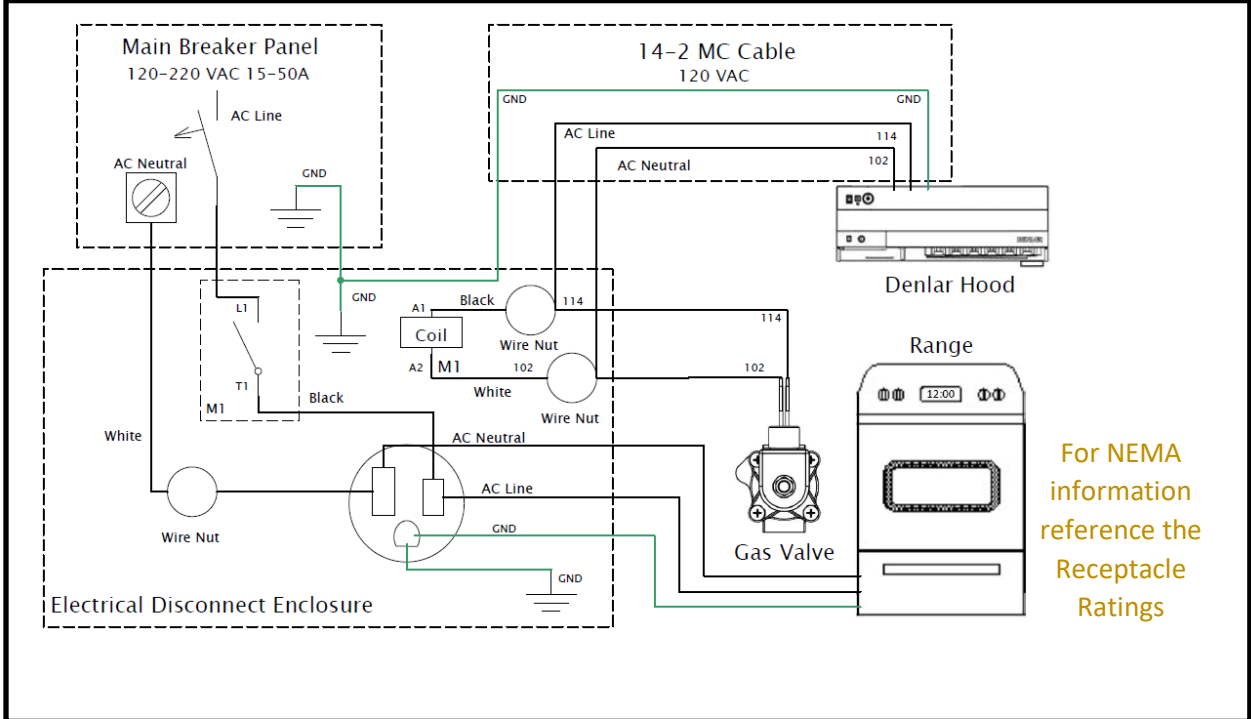
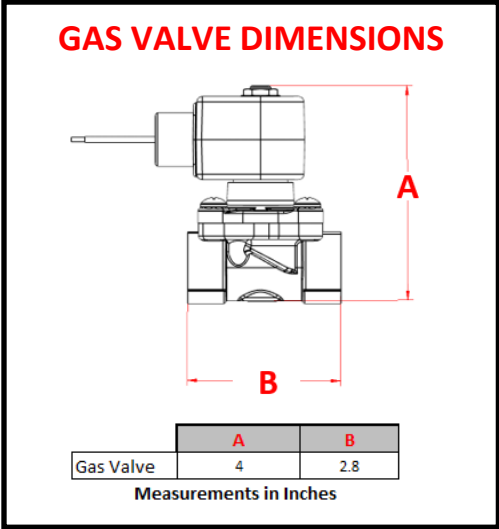
Measurements in Inches

MATERIAL INFORMATION			
WEIGHT (Lbs.)	MATERIAL	MOUNTING TYPE	MOUNTING HEIGHT
5.4	GALVANIZED	SURFACE OR FLUSH MOUNT	SEE LOCAL CODES

GAS VALVE ELECTRICAL SPECIFICATIONS										
MODEL	PART NUMBER	COIL VOLTAGE (AC)	PHASE	FREQUENCY (Hz.)	FUSE (AMPS)	OPERATING CURRENT (AMPS)	VALVE TYPE	FUNCTION	ACTION TYPE	COIL TYPE
D1000-DED-120	ASY-300036	120	1	60	0.5	0.25	2-WAY	NORMALLY CLOSED	DIRECT LIFT	1/2" NPT CONDUIT, 18' LEADS, CLASS F, NEMA 4X
DS-DED-120	ASY-300037									
D1000-DED-220	ASY-200068									
DS-DED-220	ASY-300070									

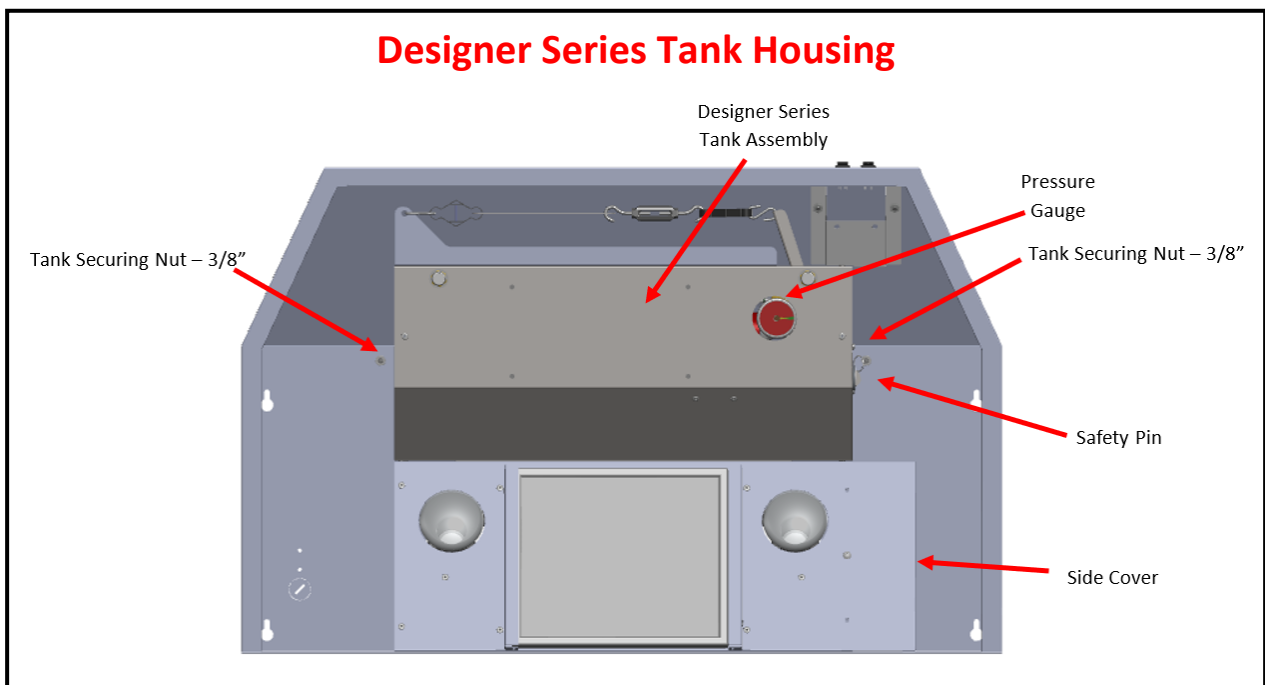
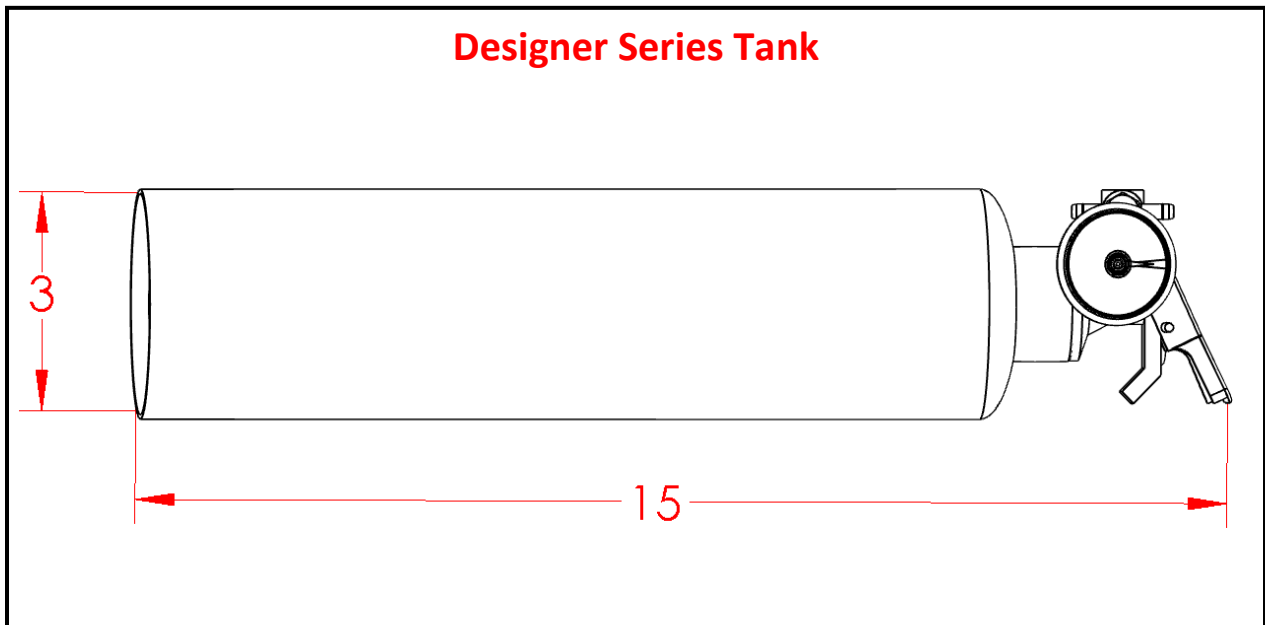
MATERIAL INFORMATION											
BODY MATERIAL	SEAL MATERIAL	ORIFICE SIZE	PORT SIZE	NUMBER OF PORTS	PORT TYPE	MEDIA	MINIMUM PRESSURE DIFFERENTIAL	MAXIMUM PRESSURE DIFFERENTIAL	MINIMUM FLUID TEMPERATURE	MAXIMUM FLUID TEMPERATURE	FLOW COEFFICIENT
BRASS	NBR	7/16"	3/4"	2	NPT	GENERAL PURPOSE FOR AIR, LIQUIDS, AND GASES	0 PSI	100 PSI (AC) PSI	0° F	185° F	5 Cv

DUAL ELEMENT DISCONNECT



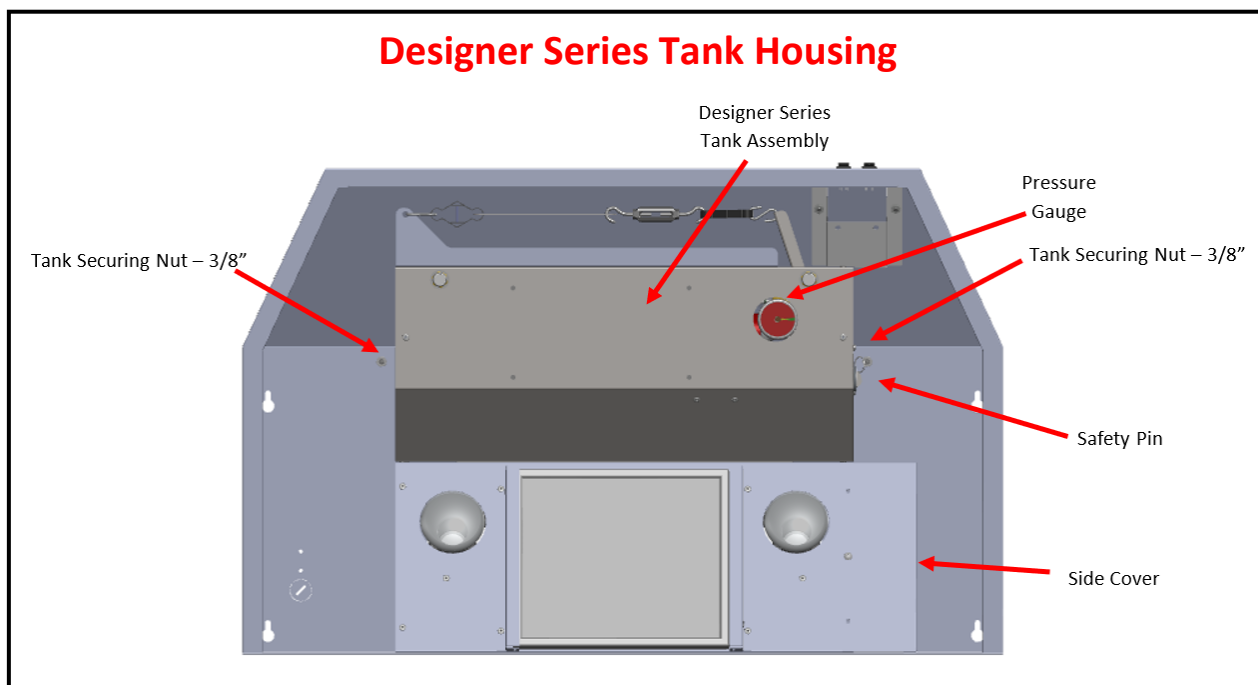
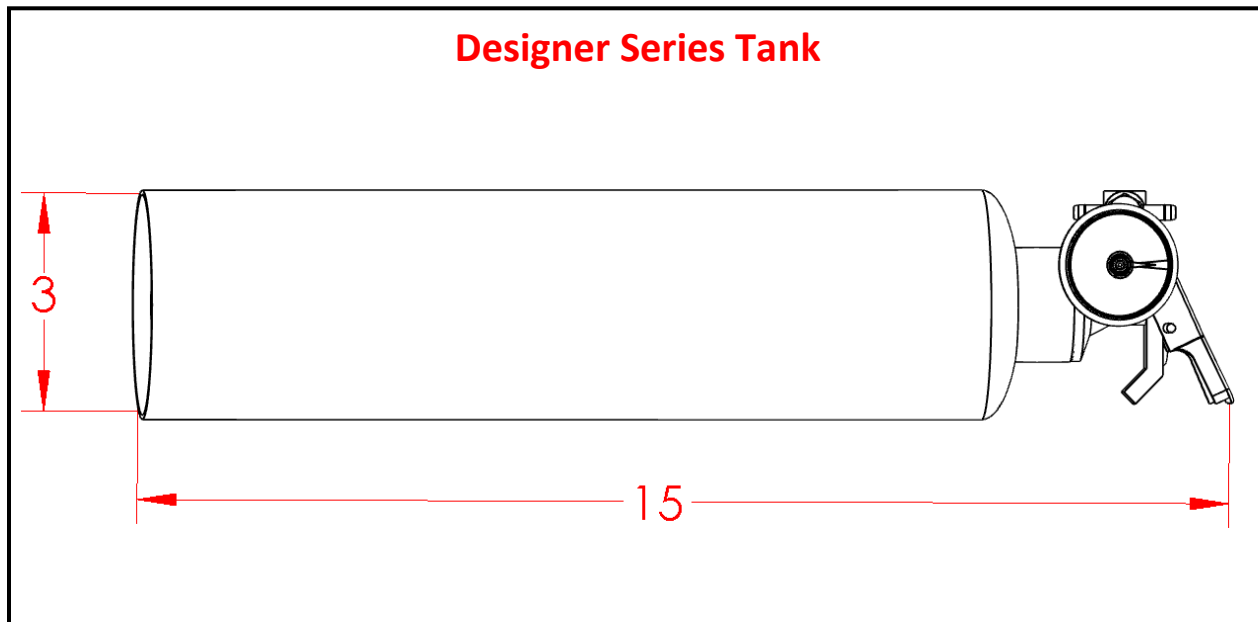
DESIGNER SERIES FULLY CHARGED TANK

MODEL	PART NUMBER	Tank Information											
		TYPE	COMPLIANCE	MOUNTING CONFIGURATION	LENGTH (In.)	DEPTH (In.)	HEIGHT (In.)	WEIGHT (Lbs.)	VESSEL	CHEMICAL TYPE	VOLUME (mL.)	CHEMICAL WEIGHT (Lbs.)	PRESSURE (PSI)+8%
DS-TANK-FC	ASY-200200	Self Contained Fire Suppression System	UL-1995	Integral to the Hood	N/A	3	15	4.6	Stainless Steel	Amerex 660	900	1.8	102



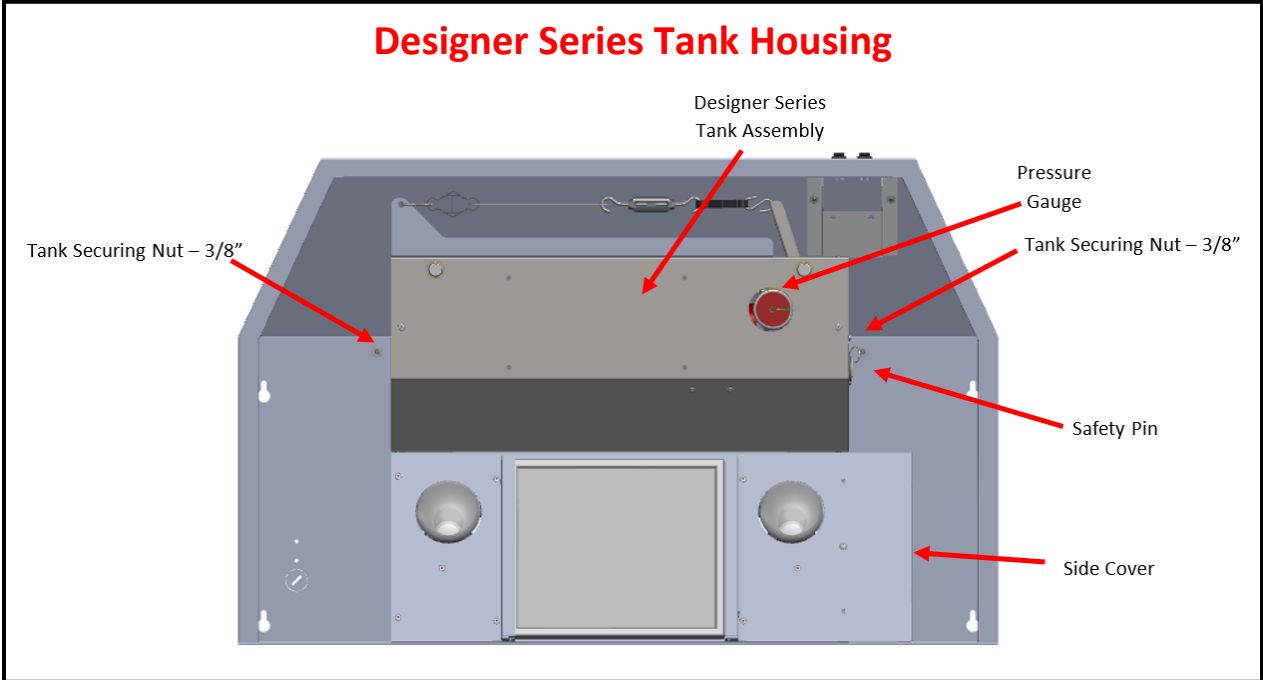
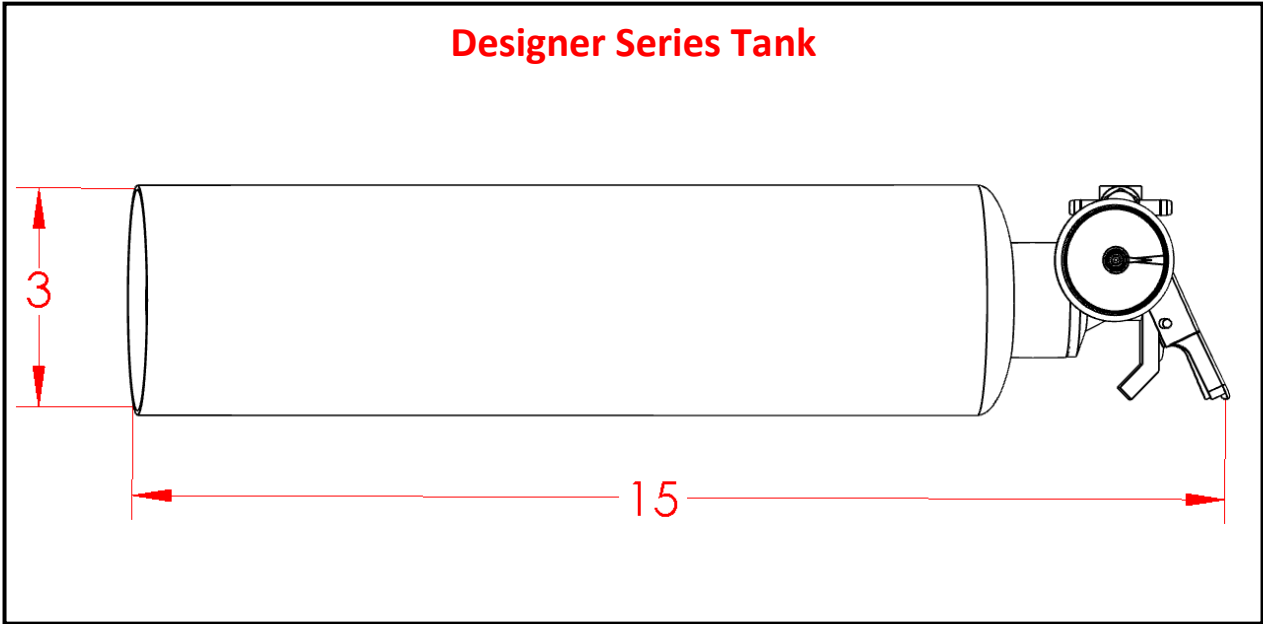
DESIGNER SERIES MEDIA TANK – NOT CHARGED

Tank Information													
MODEL	PART NUMBER	TYPE	COMPLIANCE	MOUNTING CONFIGURATION	LENGTH (In.)	DEPTH (In.)	HEIGHT (In.)	WEIGHT (Lbs.)	VESSEL	CHEMICAL TYPE	VOLUME (mL)	CHEMICAL WEIGHT (Lbs.)	PRESSURE (PSI)+8%
DS-TANK-SA	ASY-200203	Self Contained Fire Suppression System	UL-1995	Integral to the Hood	N/A	3	15	4.6	Stainless Steel	Amerex 660	900	1.8	(Charge to 102 on location)



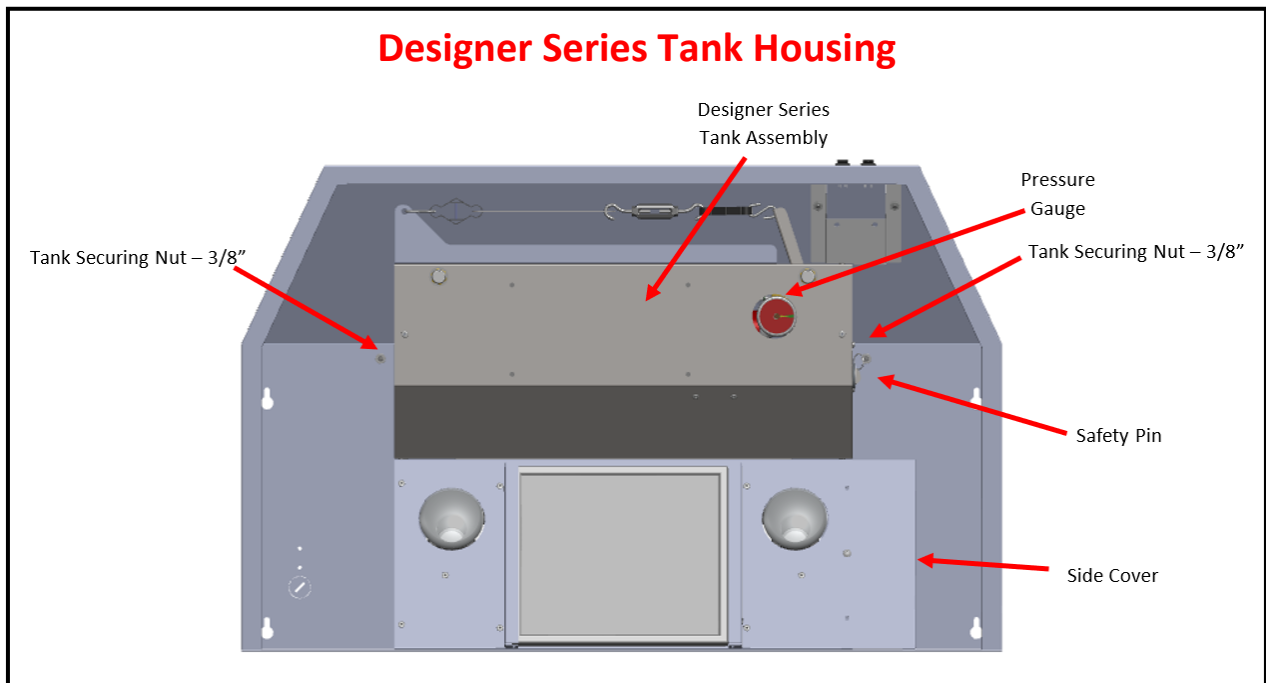
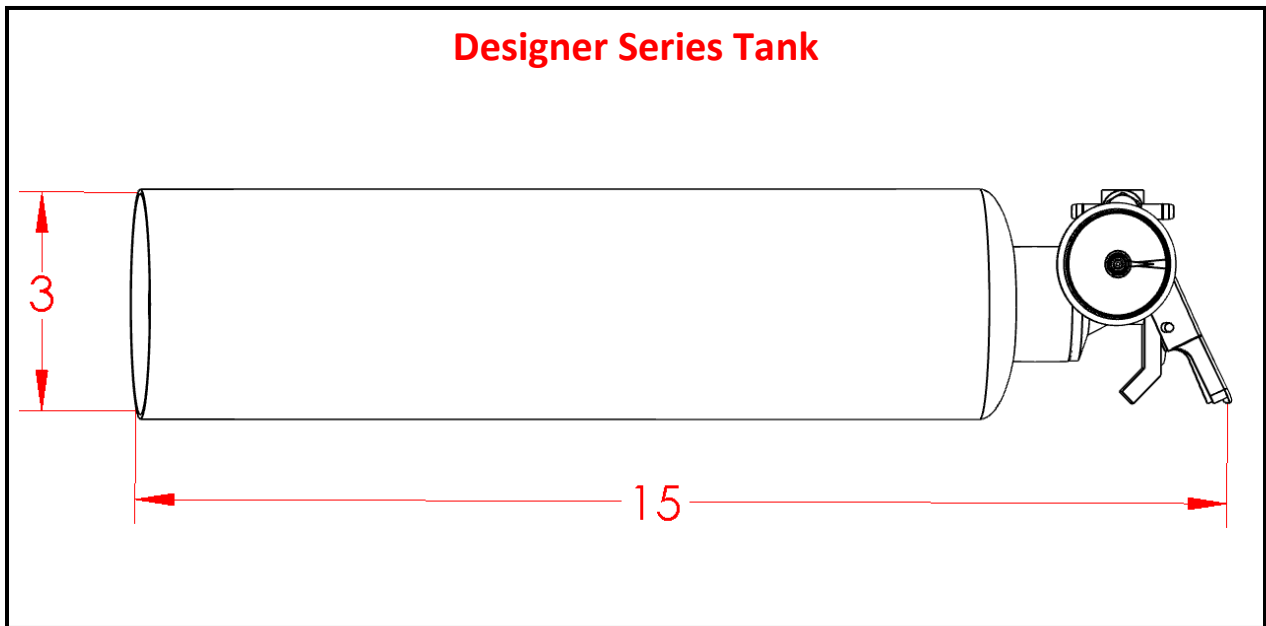
DESIGNER SERIES FULLY TEST TANK - CHARGED

Tank Information													
MODEL	PART NUMBER	TYPE	COMPLIANCE	MOUNTING CONFIGURATION	LENGTH (In.)	DEPTH (In.)	HEIGHT (In.)	WEIGHT (Lbs.)	VESSEL	CHEMICAL TYPE	VOLUME (mL.)	CHEMICAL WEIGHT (Lbs.)	PRESSURE (PSI)+8%
DS-TANK-TEST	ASY-200201	Self Contained Fire Suppression Test System	UL-1995	Integral to the Hood	N/A	3	15	3	CRS	None	0	None	(Charge to 102 on location)



DESIGNER SERIES TEST TANK – NOT CHARGED

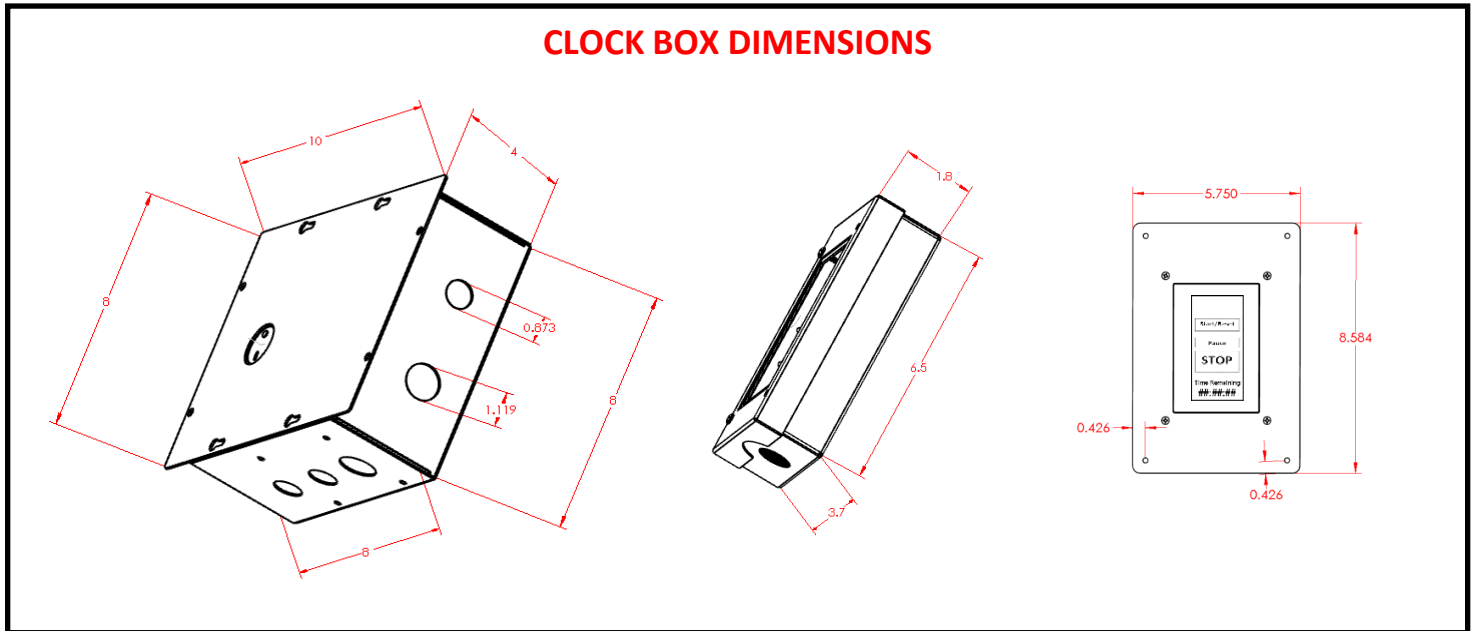
MODEL	PART NUMBER	Tank Information											
		TYPE	COMPLIANCE	MOUNTING CONFIGURATION	LENGTH (In.)	DEPTH (In.)	HEIGHT (In.)	WEIGHT (Lbs.)	VESSEL	CHEMICAL TYPE	VOLUME (mL.)	CHEMICAL WEIGHT (Lbs.)	PRESSURE (PSI)+8%
DS-TANK-E	ASY-200202	Self Contained Fire Suppression Test System	UL-1995	Integral to the Hood	N/A	3	15	3	CRS	None	0	None	(Charge to 102 on location)



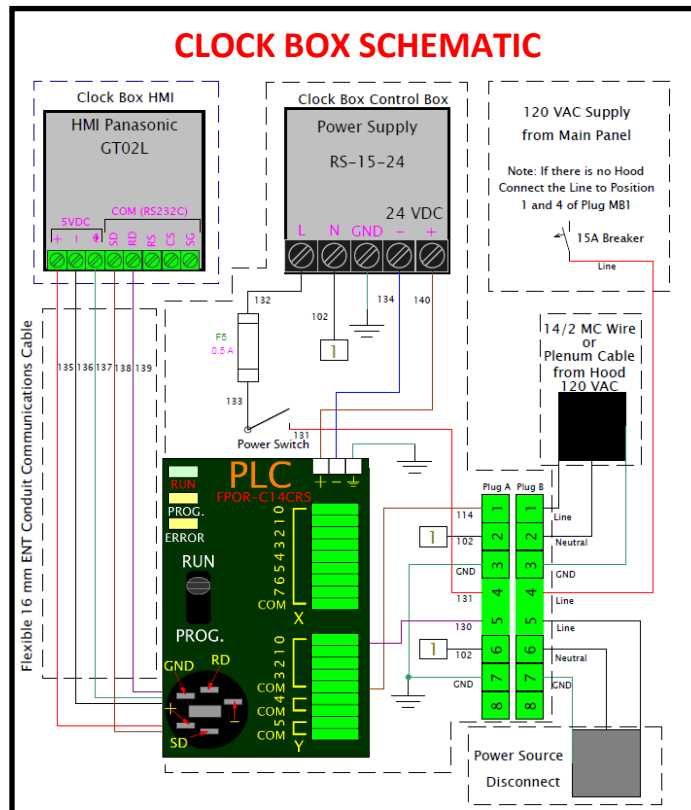
CLOCK BOX

MODEL	PART NUMBER	ELECTRICAL INFORMATION							OUTPUT CURRENT MAXIMUM (AMPS)	MATERIAL INFORMATION		
		VOLTAGE (AC)	PHASE	FREQUENCY (Hz.)	BREAKER SIZE (AMPS)	OPERATING CURRENT (AMPS)	FUSE (AMPS)	Touch Screen Voltage (DC)		MOUNTING	WEIGHT (Lbs.)	CONDUIT
Clock Box	ASY-200047	120	1	60	15	0.1	0.5	5	2	Surface Mount or Flush Mount	14	25FT. 16mm FLEXIBLE ENT CONDUIT

CLOCK BOX DIMENSIONS



CLOCK BOX SCHEMATIC



MANUAL PULL KIT

The Manual Pull Station (DS-MPK) is designed to discharge the DS Model when a user pulls the tab from the Manual Pull Station Face Plate. The DS-MPK is provided with 25 feet Stainless-Steel Cable and with three 90 Degree Corner Pulleys. It is required to have 7-10 inches extra of the Stainless-Steel Cable at the Pull Station Box.

The DS-MPK comes equipped with the following:

- 1x Enclosure 4" x 1.5" Octagon Metal Box
- 1x Manual Pull Station Face Plate
- 1x 1/2" ENT Conduit Connector
- 3x 90 Degree Corner Pulleys
- 1x 25' Stainless-Steel Cable with Clevis Pin



1x Enclosure 4" x 1.5" Octagon Metal Box



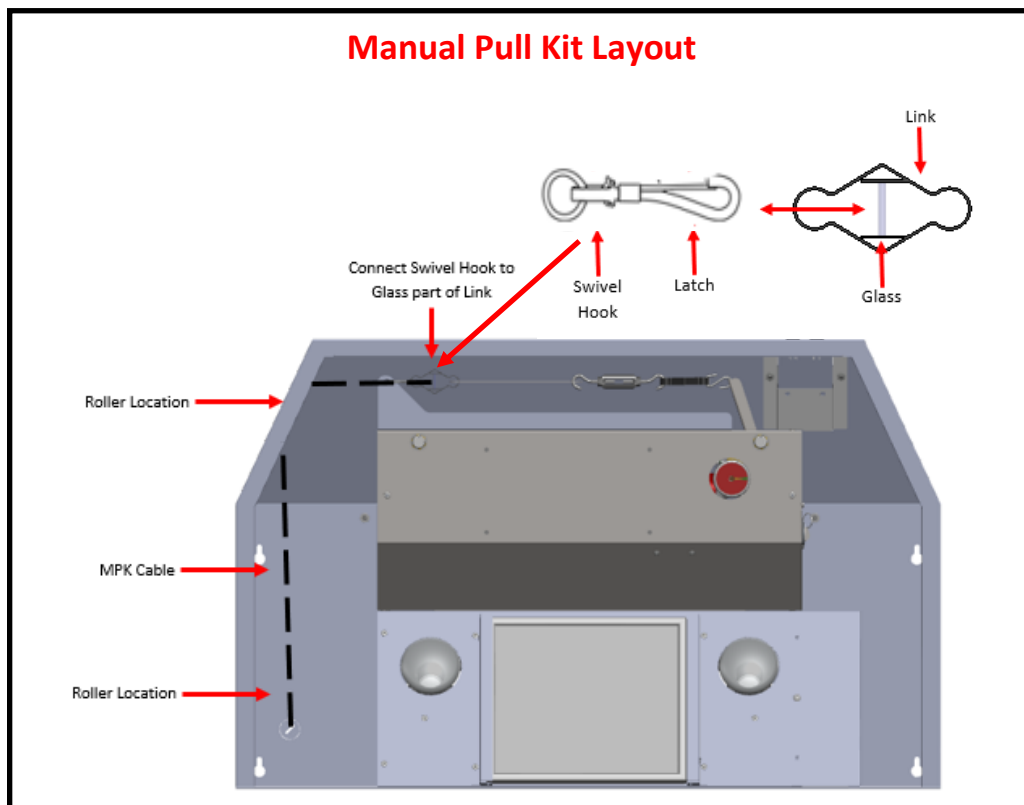
1x Manual Pull station Face Plate



1x 1/2" ENT Conduit Connector



3x 90 Degree Corner Pulleys



AMERICANS WITH DISABILITIES ACT CONTROLS

		ELECTRICAL INFORMATION					MATERIAL INFORMATION							
MODEL	PART NUMBER	VOLTAGE (AC)	FUSE (AMPS)	OPERATING CURRENT (AMPS)	PHASE	FREQUENCY (Hz.)	WEIGHT (Lbs.)	LENGTH (In.)	DEPTH (In.)	HEIGHT (In.)	MATERIAL	MOUNTING CONFIGURATION	MOUNTING HEIGHT (In.)	CONDUIT
D1000-ADA	ASY-200055	120	SEE FAN MODEL	SEE FAN MODEL	1	60	1.5	3.75	2.5	3	PLASTIC AND STEEL	SURFACE MOUNT OR FLUSH MOUNT	SEE LOCAL CODES	15FT. 16mm FLEXIBLE ENT CONDUIT
DS-ADA	ASY-200175													

COMPONENTS

- ADA Wire Harness Assembly
 - (2) Toggle Switches (white)
 - (1) Metal 2-Gang Enclosure
 - (15') Plenum Cable Encased in 16mm ENT Flexible Conduit
 - (1) Eight-Position Male Connector (Plug-N-Play)
 - (1) 2-Gang White Switch Cover
 - (2) Mounting Brackets

