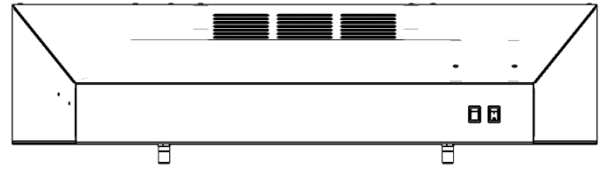


DENLAR

FIRE PROTECTION

PRE-ENGINEERED RANGE HOODS



DESIGNER SERIES DATASHEET MODELS

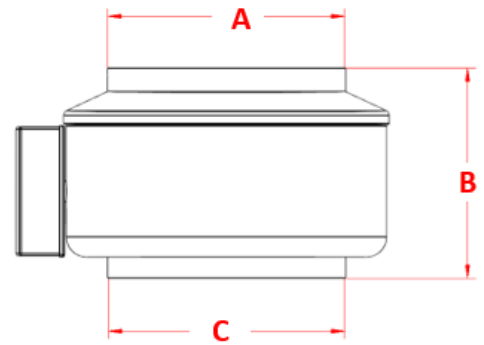
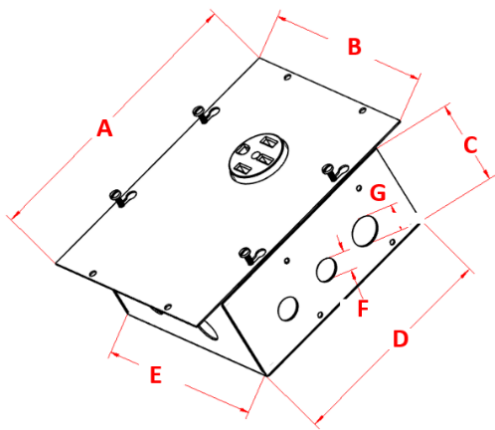
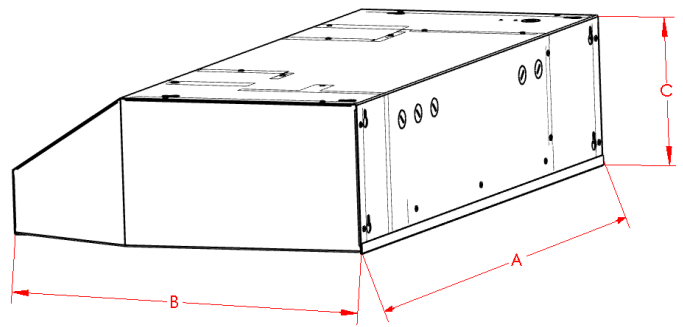
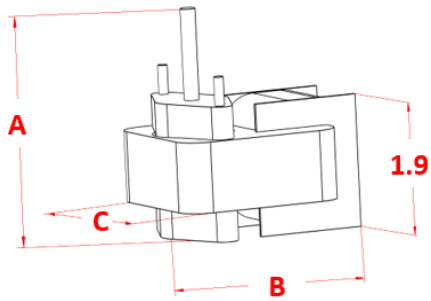


TABLE OF CONTENTS

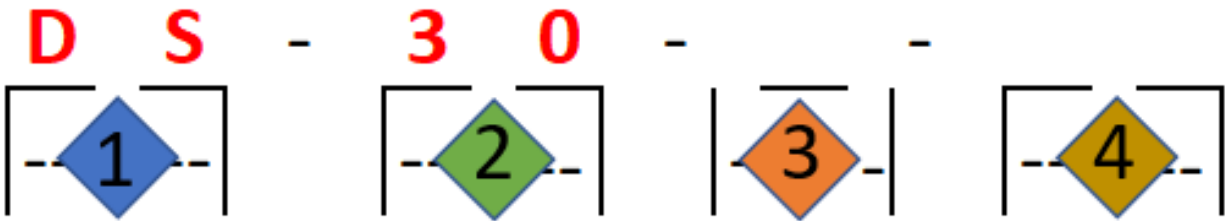
Title	Page
MODEL IDENTIFICATION	3
DESIGNER SERIES HOOD DIMENSIONS AND WEIGHTS	4
ELECTRICAL SPECIFICATIONS	5
FAN SPECIFICATIONS AND DIMENSIONS	6
HOOD FAN OUTLET DIMENSIONS	7
ELEVATION LAYOUT	8
FIRE SUPPRESSION INFORMATION	9

For the Warranty Statement please visit <https://www.denlarhoods.com/>.

For installation or service calls please contact Denlar Service at 860-526-9846 or at service@denlarhoods.com.

For sales questions, please contact Denlar Sales at 860-526-9846 or at sales@denlarhoods.com.

Model Identification



ID	1
Label	Model
DS	Designer Series

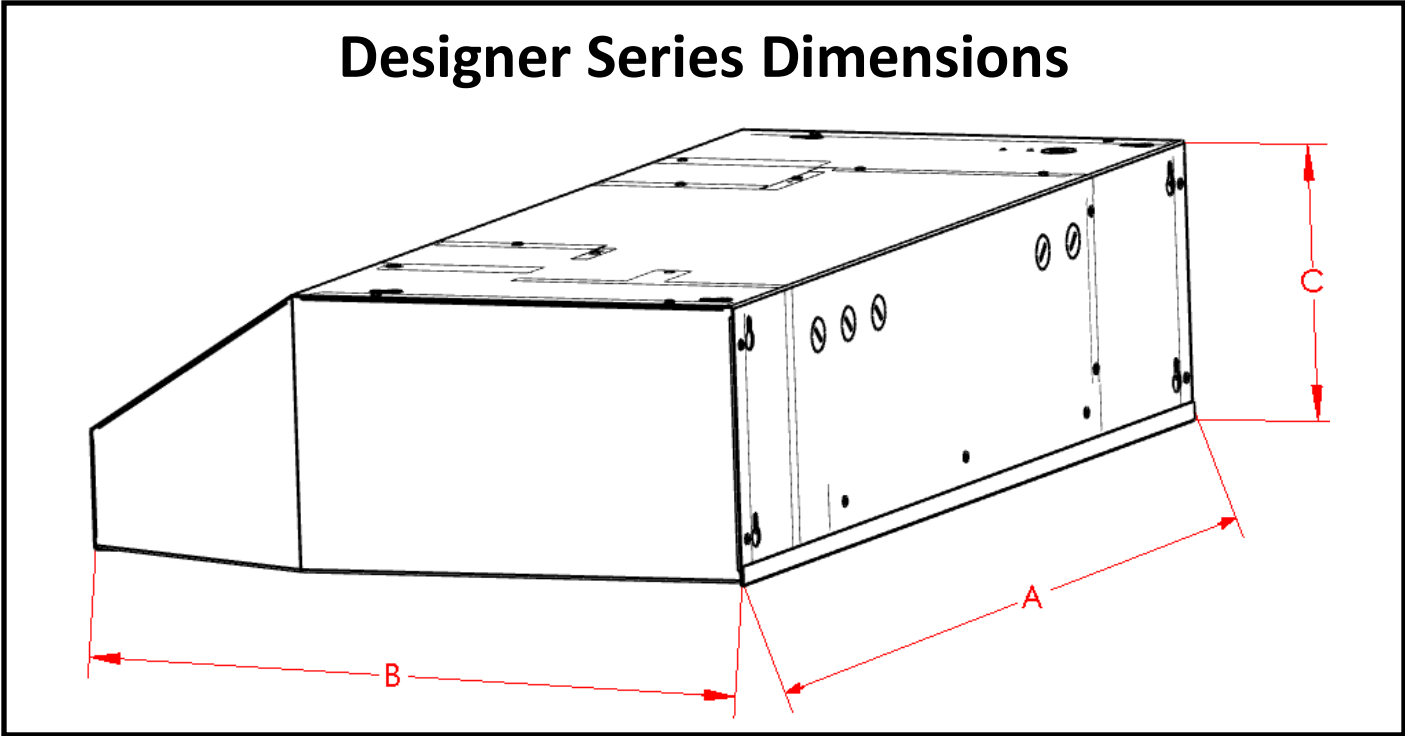
ID	3
Label	Exhaust Type
F	Front Exhaust
D	Top Ducted Exhaust

ID	2
Label	Size
30	30" Model

ID	4
Label	Top Ducted Fan Type
IF	Inline Fan
	Internal Fan

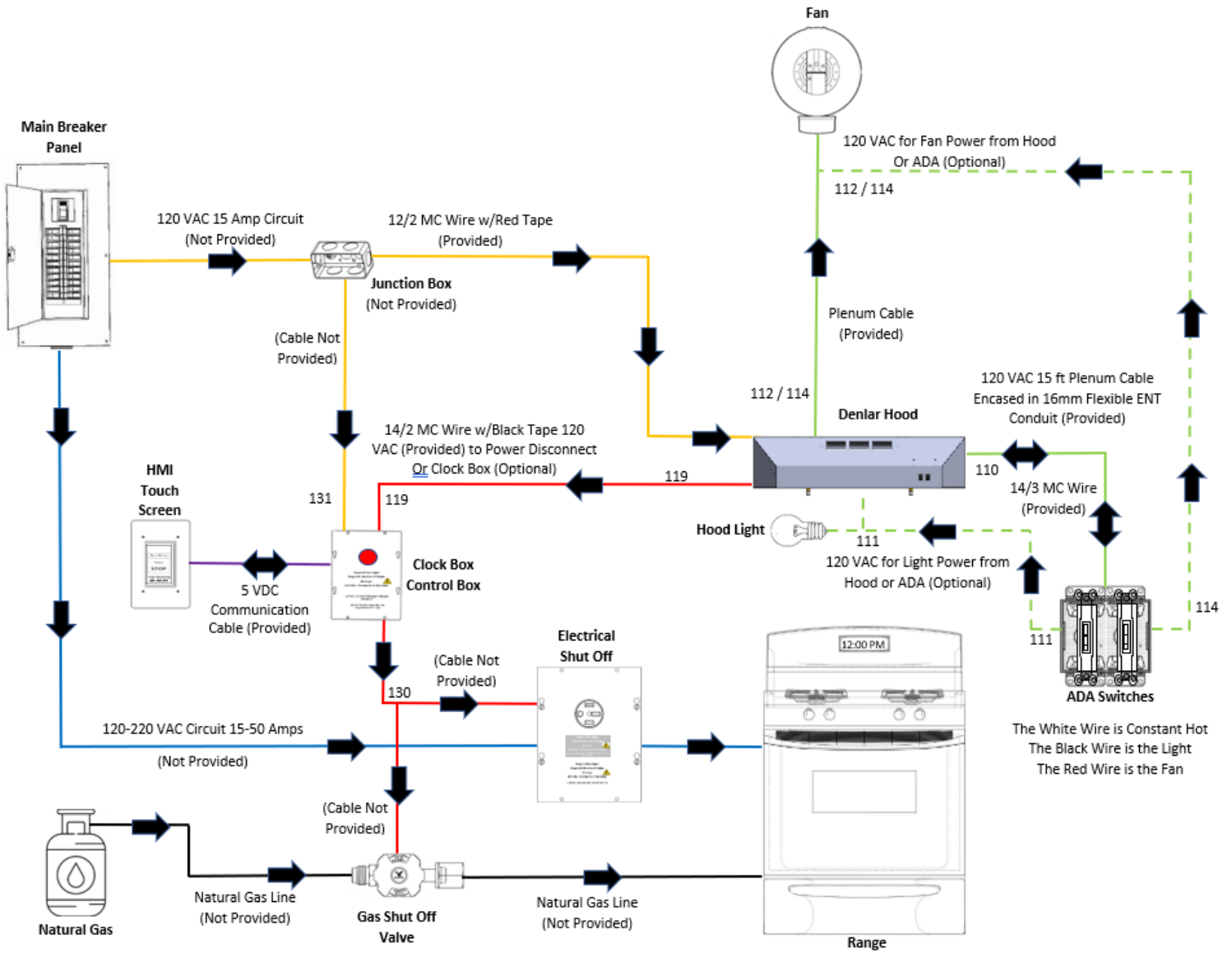
Designer Series Hood Dimensions and Weights

Hood Specifications								
	Mounting Config.	Length (In.)(A)	Depth (In.)(B)	Height (In.)(C)	Weight (lbs.)	Material	Mounting Height (In.)	Compliance
DS-30-F	Wall	30	19.25	7	33.25	Stainless Steel or Powder Paint	Min: 18 Max: 26	UL 300A UL 507
DS-30-D					29.25			
DS-30-D-IF					29.25			



Electrical Specifications

Electrical Specifications								
	Voltage (VAC)	Phase	Breaker (Amp)	Frequency (Hz.)	Internal Fuse (Amp)	Continuous Operating Current (Amp)	Fan Operating Current (Amp)	Output Operating Current (Amp)
DS-30-F	120	1	15	60	2	1.2	Low: 0.41 High: 0.57	0.25
DS-30-D								
DS-30-D-IF					3.15	2.5	1.32	

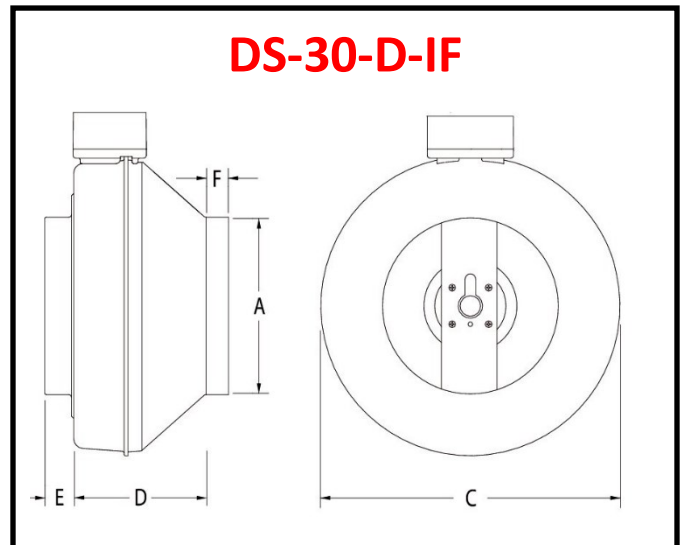
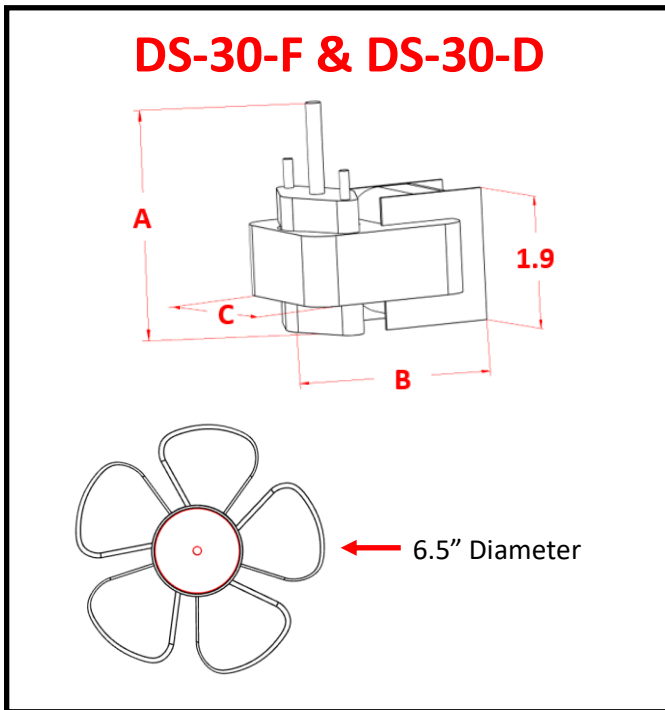


Fan Specifications and Dimensions

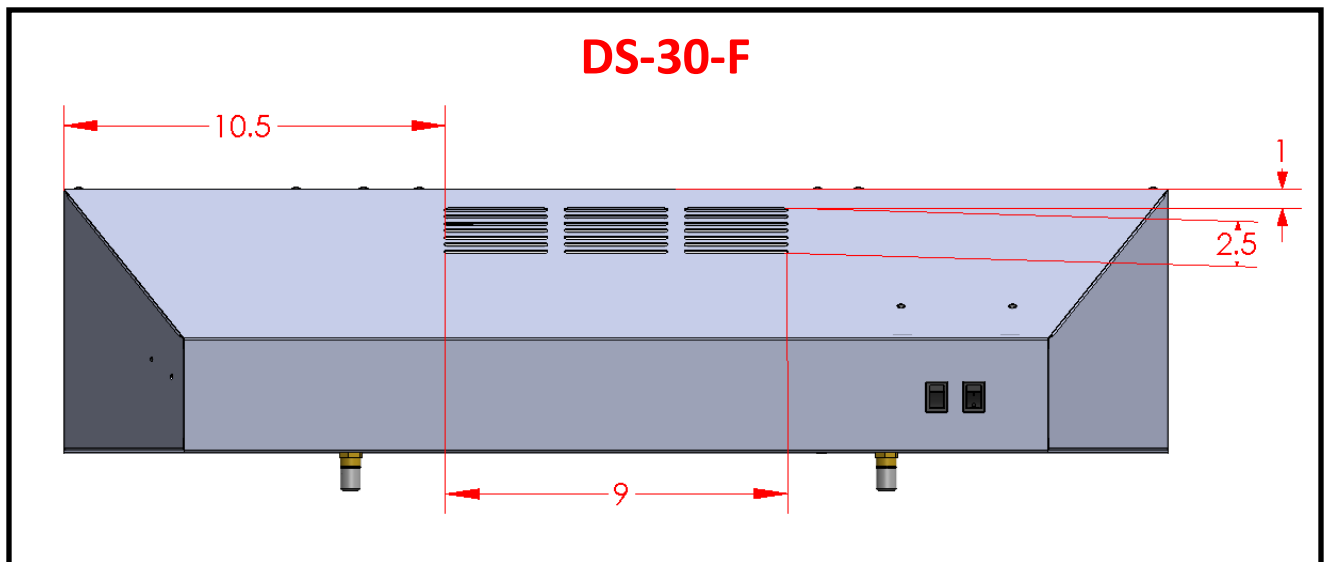
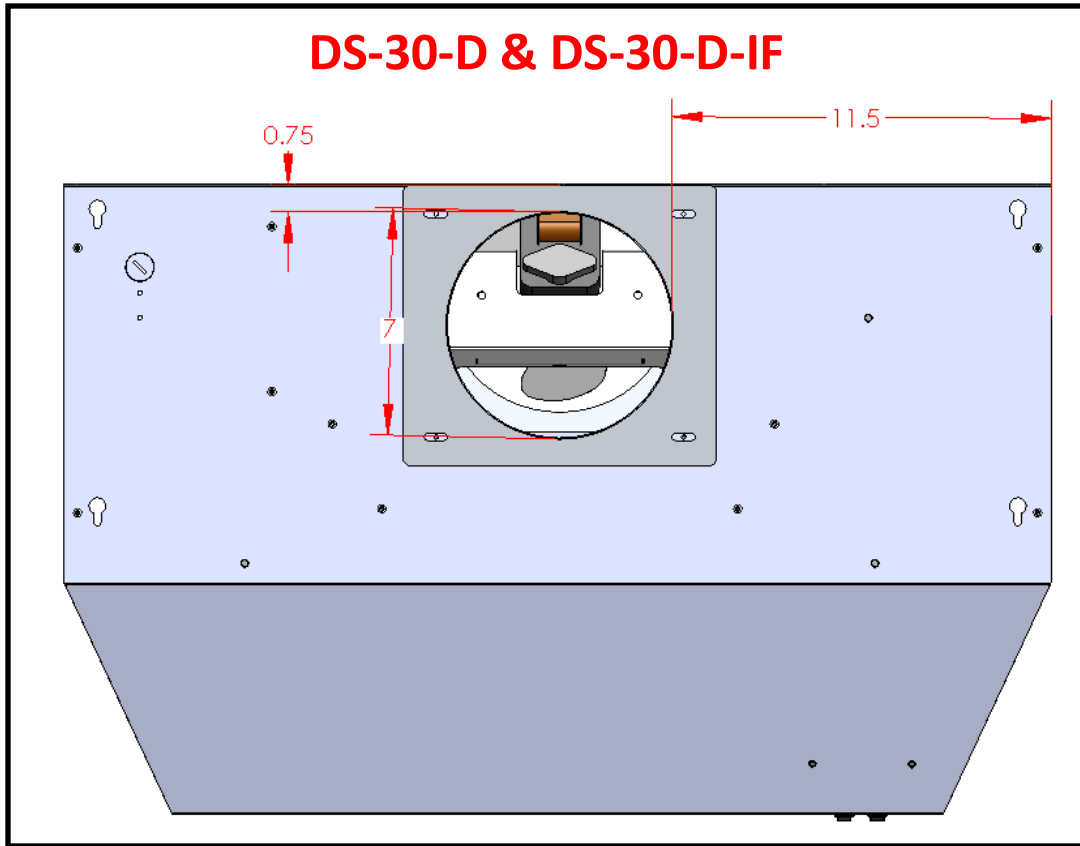
Fan Specifications														
	Location	Voltage (VAC)	Phase	Frequency (Hz.)	Internal Fuse (Amp)	Continuous Operating Current (Amp)	Speeds	Weight (lbs.)	CFM (Low-High)	Pressure (In. Water)	DBA (Low-High)	Hood Outlet (In.)	Duct (In.)	Fan Outlet (In.)
DS-30-F	Integral to Hood	120	1	60	2	Low: 0.41 High: 0.57	Off / Low / High	4	30 - 40 (Two Speed)	0.08	57 - 66	9 x 2.5	N/A	N/A
DS-30-D					3.15	1.32	Off / High	8.5	330 (Single Speed)	0.94	60	7	7	7
DS-30-D-IF	External Inline											7	7 - 8	8

	A	B	C	D	E	F
DS-30-F	3.25	3	2.4			
DS-30-D						
DS-30-D-IF	8		13.25	6	1.125	1

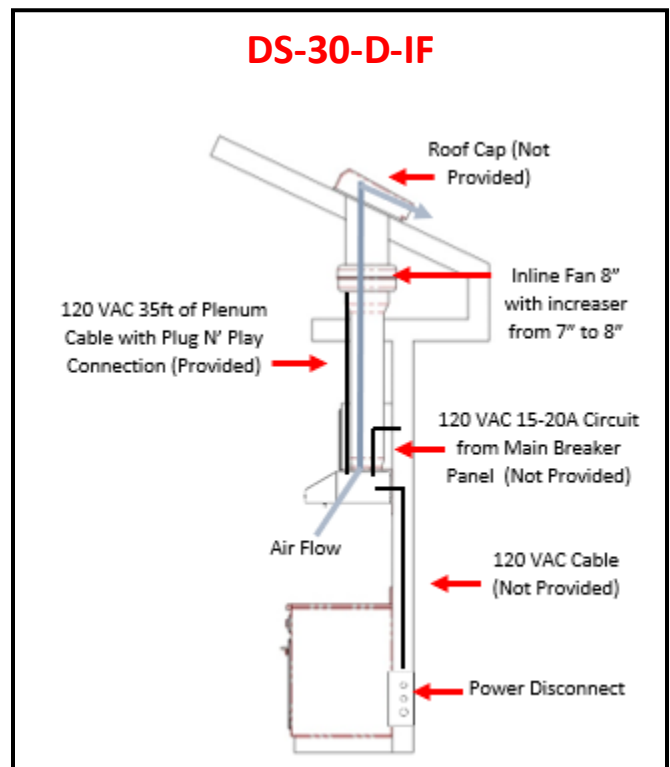
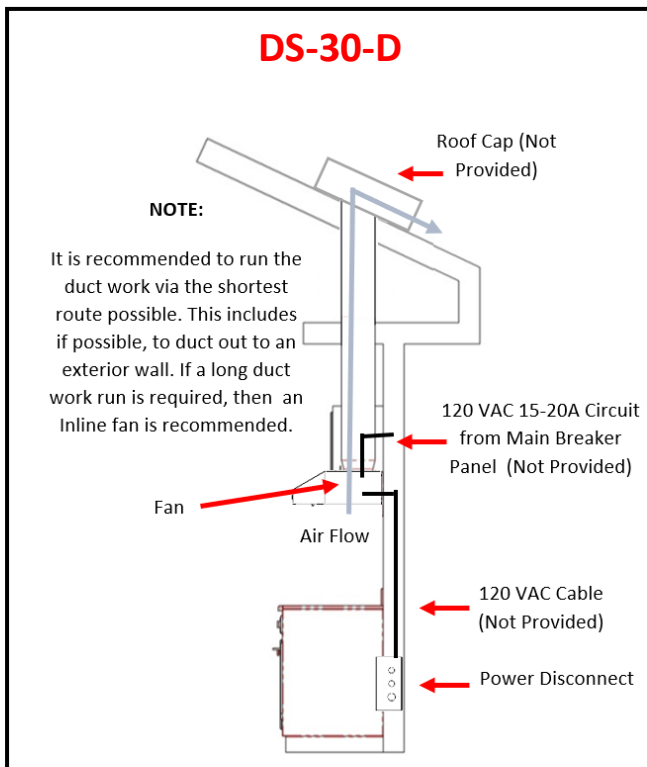
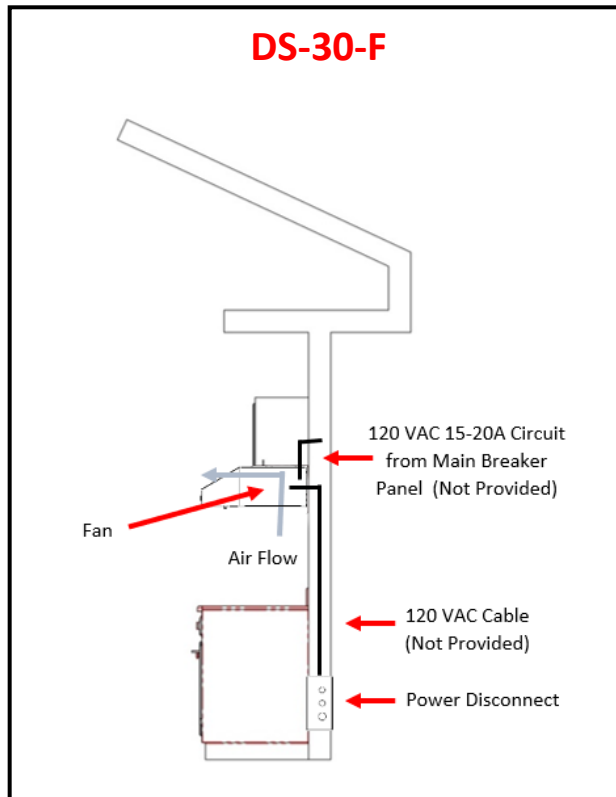
DIMENSIONS IN INCHES



Hood Fan Outlet Dimensions



ELEVATION LAYOUT



Fire Suppression Information

Fire Suppression Specifications												
Type	Media Type	Volume (ml.)	Weight (lbs.)	Pressure (psi.) +8%	Tank Material	Dia (In.)	Height (In.)	Fire Detectors	Qty.	Nozzles	Qty.	
DS-30-F	Self Contained	Amerex 660	900	1.8	102	Stainless Steel	3	15	Glass (250 Deg F)	2	60 Deg. Conical	2
DS-30-D												
DS-30-D-IF												

