

Model

DS-30-F

Technical Data Book

DENLAR

FIRE PROTECTION

PRE-ENGINEERED RANGE HOODS

Not responsible for typographical errors. Continuing research results in product improvement, therefore specifications are subject to change without notice. For the most updated information, please consult factory directly.

LAB-110268 REV05132021

Table of Contents

DS-30-F Model Information

[Model Identification](#)

[Designer \(DS\) Dimensions and Weights](#)

[Electrical Specifications](#)

[Fan Specifications and Dimensions](#)

[Exhaust Layout](#)

[Duct Location](#)

[Fire Suppression Information](#)

Accessories

[Manual Pull Station](#)

[ClockBox Specifications and Dimensions](#)

[Electric Disconnect](#)

[Gas Disconnect](#)

[Dual Receptacle Disconnect](#)

[Dual Element Disconnect](#)

[Tank Fully Charged](#)

[Tank with Amerex Only](#)

[Tank Test-Nitrogen Only](#)

[Tank Not Charged](#)

[Handicap Accessible Controls](#)

Part Number

DS-MPK

CLBX & CLBX-PRO

DS-E

DS-G

DS-DRD

DS-DED

DS-TANK-FC

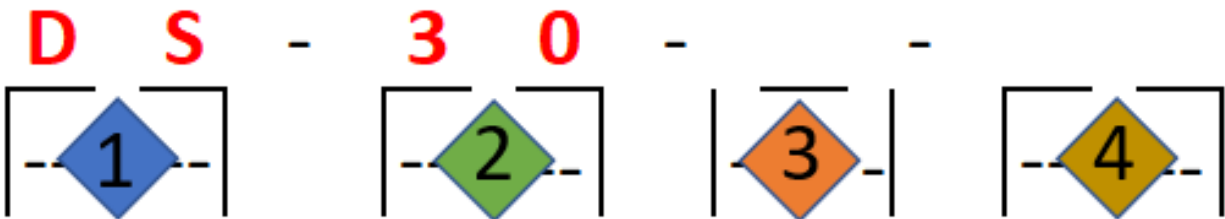
DS-TANK-SA


DS-TANK-TEST


DS-TANK-E


D1000-ADA


Model Identification



ID	
Label	Model
DS	Designer Series

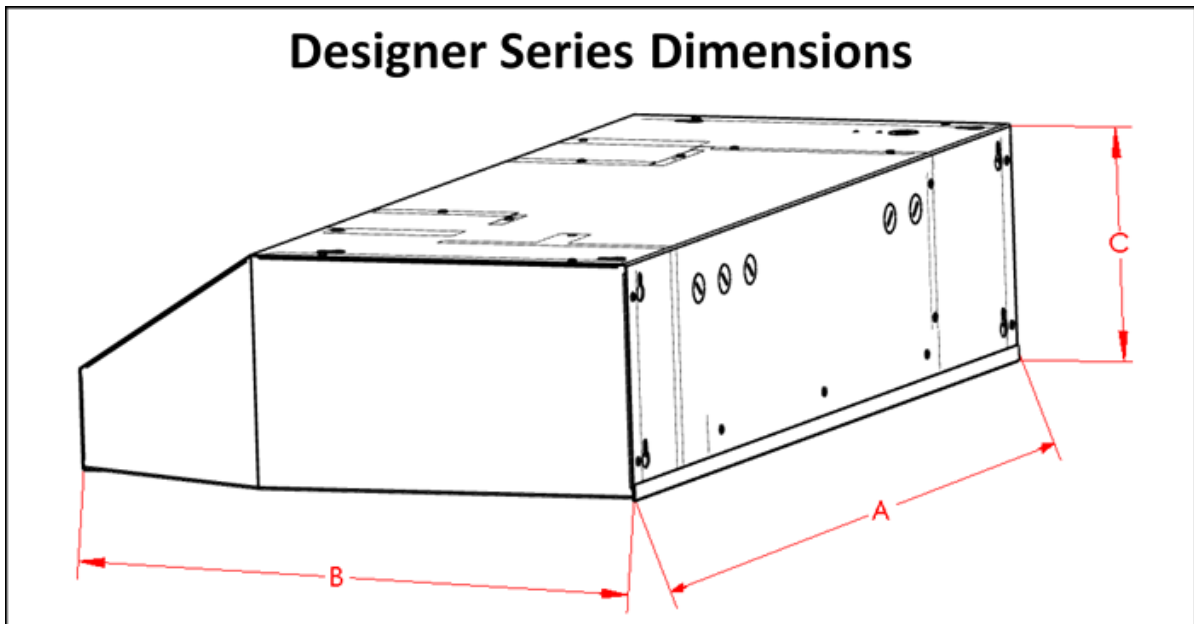
ID	
Label	Exhaust Type
F	Front Exhaust
D	Top Ducted Exhaust

ID	
Label	Size
30	30" Model

ID	
Label	Top Ducted Fan Type
IF	Inline Fan
	Internal Fan

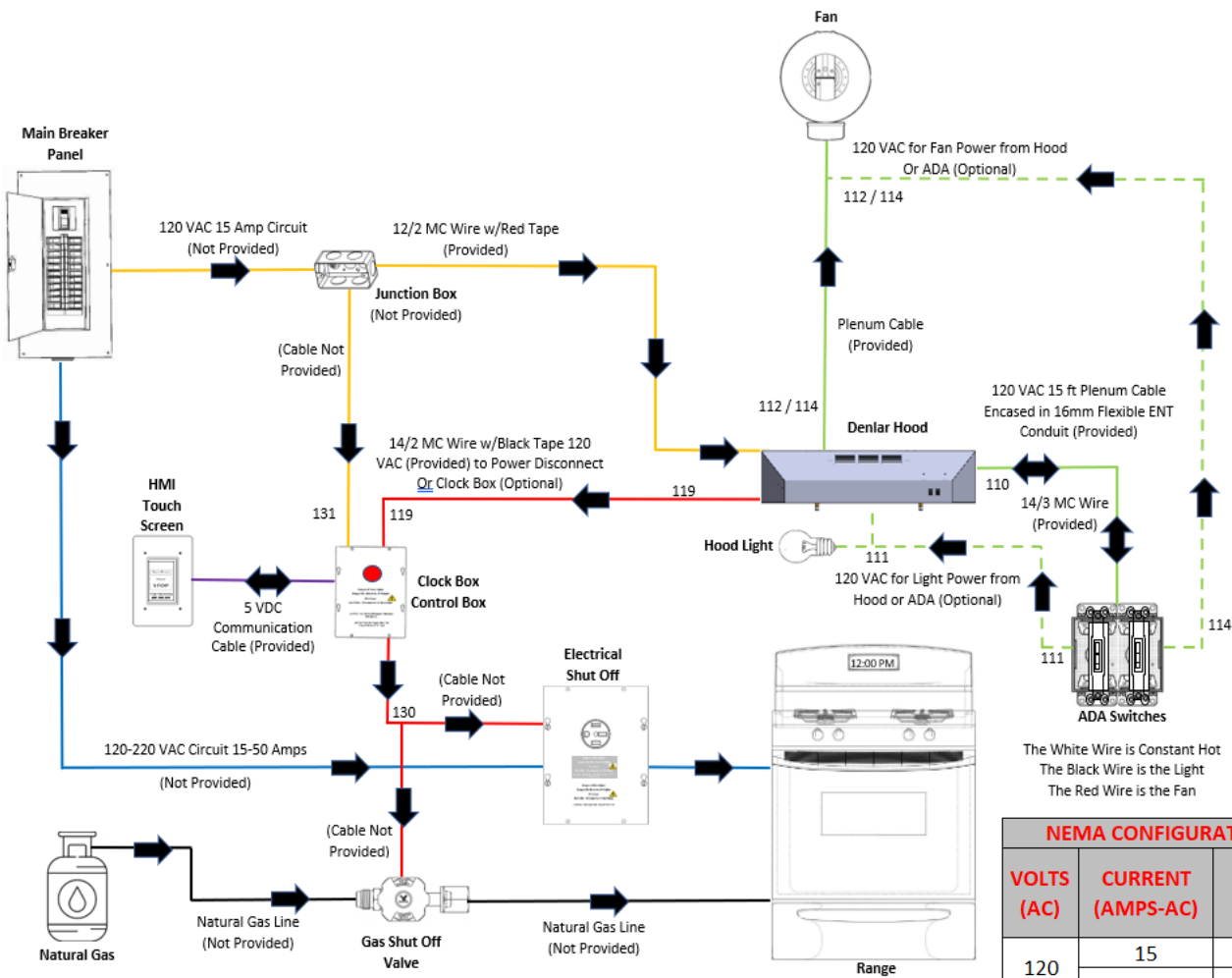
Designer (DS) Dimensions and Weights

Hood Specifications								
	Mounting Config.	Length (In.)(A)	Depth (In.)(B)	Height (In.)(C)	Weight (lbs.)	Material	Mounting Height (In.)	Compliance
DS-30-F						Stainless Steel or Powder Paint		
DS-30-D	Wall	30	19.25	7	33.25		Min: 18 Max: 26	UL 300A UL 507
DS-30-D-IF					29.25			



Electrical Specifications

Electric Specifications								
	Voltage (VAC)	Phase	Breaker (Amp)	Frequency (Hz.)	Internal Fuse (Amp)	Continuous Operating Current (Amp)	Fan Operating Current (Amp)	Output Operating Current (Amp)
DS-30-F					2	1.2	Low: 0.41	
DS-30-D	120	1	15	60			High: 0.57	0.25
DS-30-D-IF					3.15	2.5	1.32	



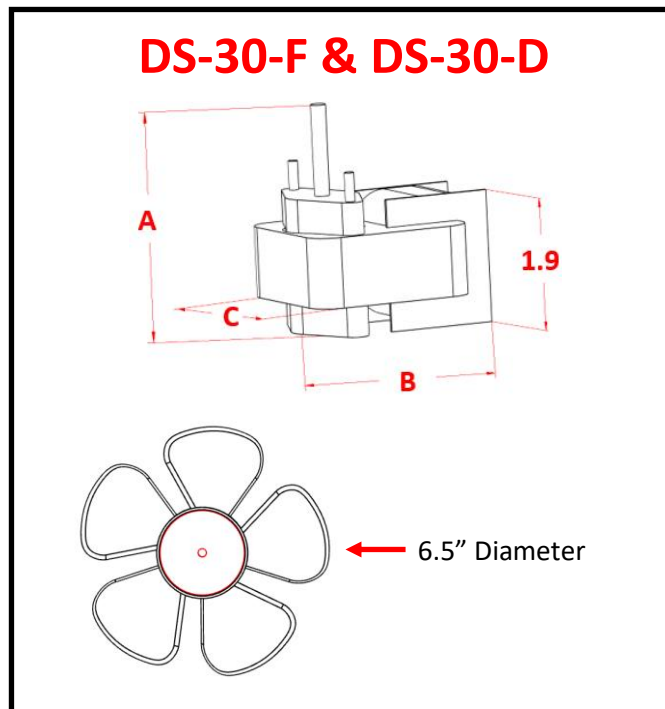
NEMA CONFIGURATION		
VOLTS (AC)	CURRENT (AMPS-AC)	NEMA
120	15	5-15R
	20	5-20R
220	50	6-20R
		10-50R
		14-50R

Fan Specifications

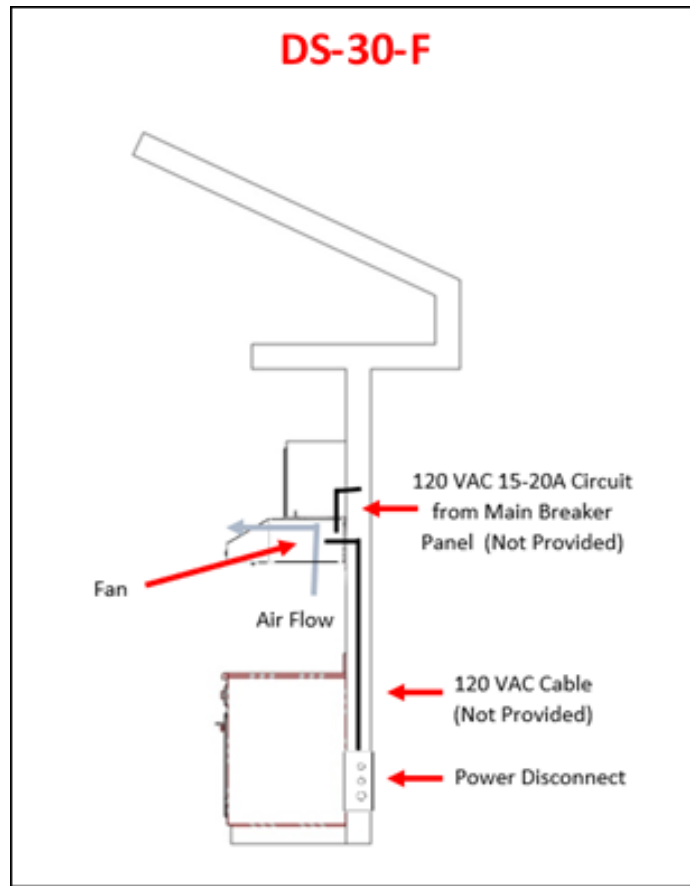
Fan Specifications														
	Location	Voltage (VAC)	Phase	Frequency (Hz.)	Internal Fuse (Amp)	Continuous Operating Current (Amp)	Speeds	Weight (Lbs)	CFM (Low-High)	Pressure (In. Water)	DBA (Low-High)	Hood Outlet (In.)	Duct (In.)	Fan Outlet (In.)
DS-30-F	Integral to Hood	120	1	60	2	Low: 0.41 High 0.57	Off / Low / High	4	30-40 (Two Speed)	0.08	57-66	9 x 2.5	N/A	N/A
DS-30-D												7	7	7
DS-30-D-IF	External Inline				3.15	1.32	Off / High	8.5	330 (Single Speed)	0.94	60	7	7-8	8

Fan Dimensions in Inches

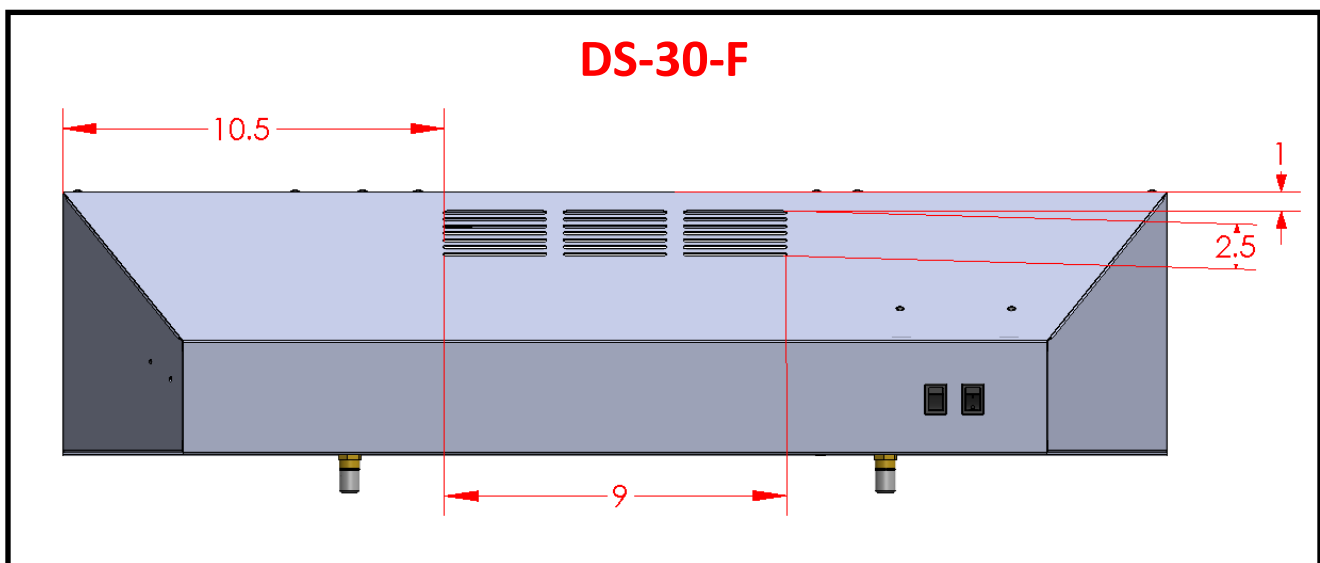
	A	B	C	D	E	F
DS-30-F	3.25	3	2.4			
DS-30-D						
DS-30-D-IF	8		13.25	6	1.125	1



Recirculating Exhaust Layout

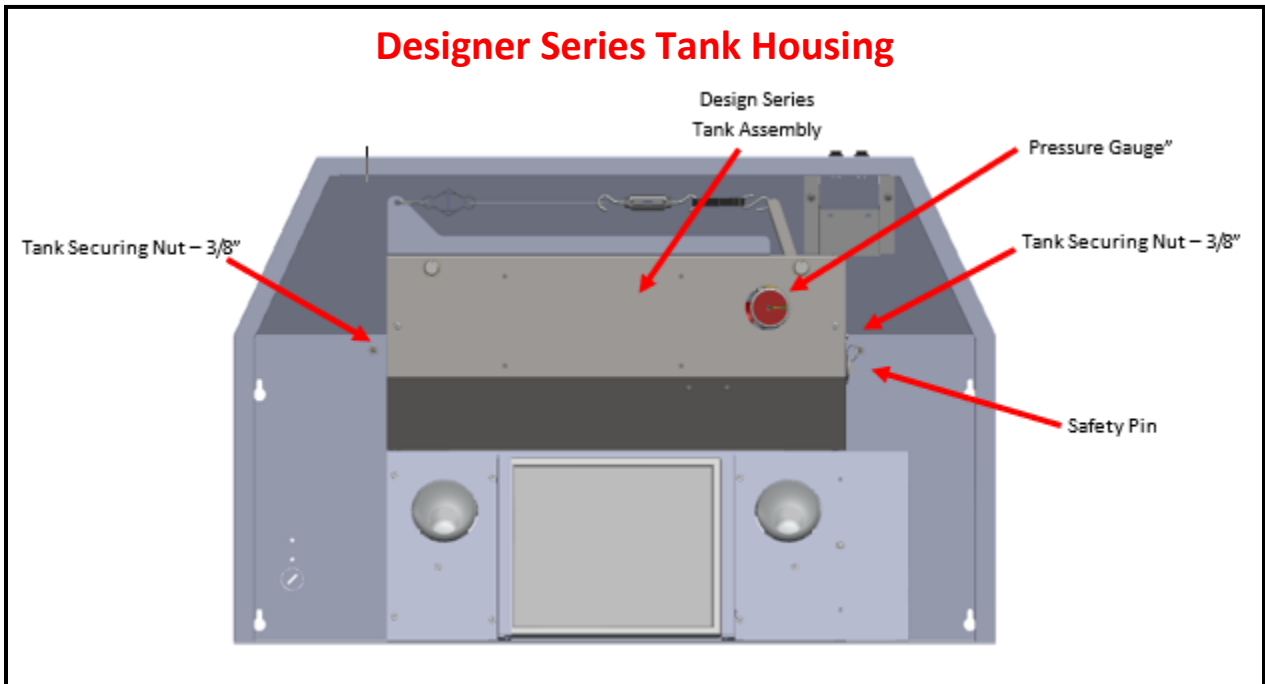
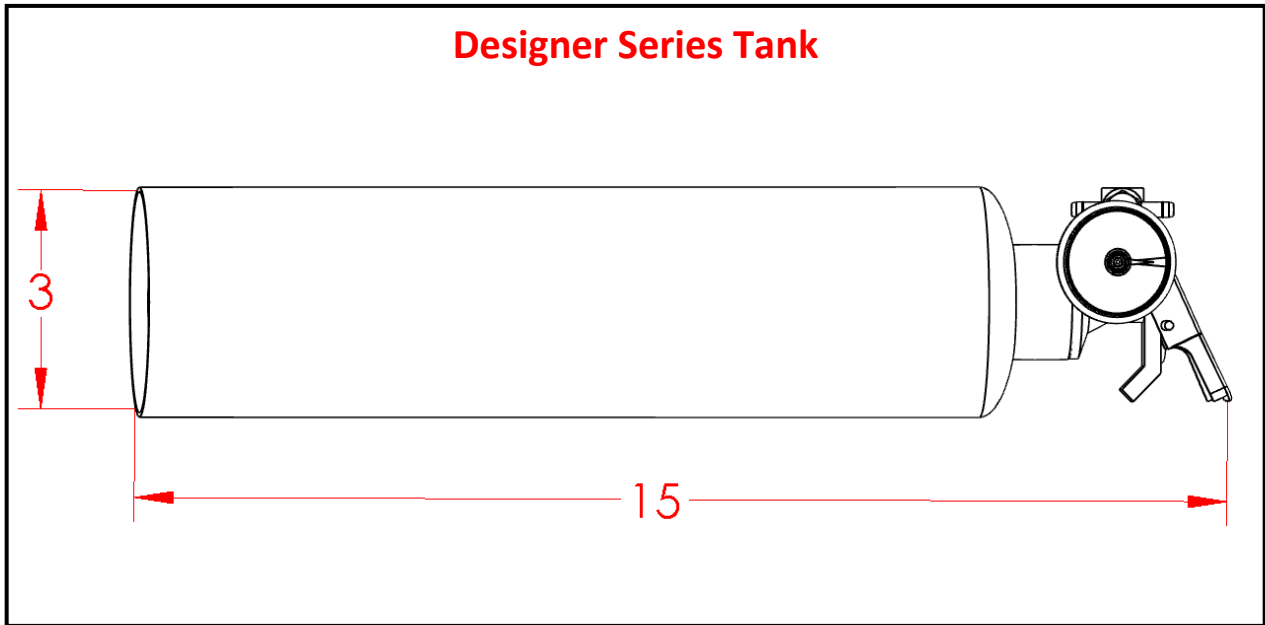


Hood Fan Outlet Dimensions



Fire Suppression Information

Fire Suppression Specifications												
Type	Media Type	Volume (ml.)	Weight (lbs.)	Pressure (psi.) +8%	Tank Material	Dia (In.)	Height (In.)	Fire Detectors	Qty.	Nozzles	Qty.	
DS-30-F	Self Contained	Amerex 660	900	1.8	102	Stainless Steel	3	15	Glass (250 Deg F)	2	60 Deg. Conical	2
DS-30-F												
DS-30-D-IF												



Manual Pull Station Data

DS-MPK

The Manual Pull Station (DS-MPK) is designed to discharge the DS Model when a user pulls the tab from the Manual Pull Station Face Plate. The DS-MPK is provided with 25 feet Stainless-Steel Cable and with three 90 Degree Corner Pulleys. It is required to have 7-10 inches extra of the Stainless-Steel Cable at the Pull Station Box.

The DS-MPK comes equipped with the following:

- 1x Enclosure 4" x 1.5" Octagon Metal Box
- 1x Manual Pull Station Face Plate
- 1x 1/2" ENT Conduit Connector
- 3x 90 Degree Corner Pulleys
- 1x 25' Stainless-Steel Cable with Clevis Pin



1x Enclosure 4" x 1.5"
Octagon Metal Box



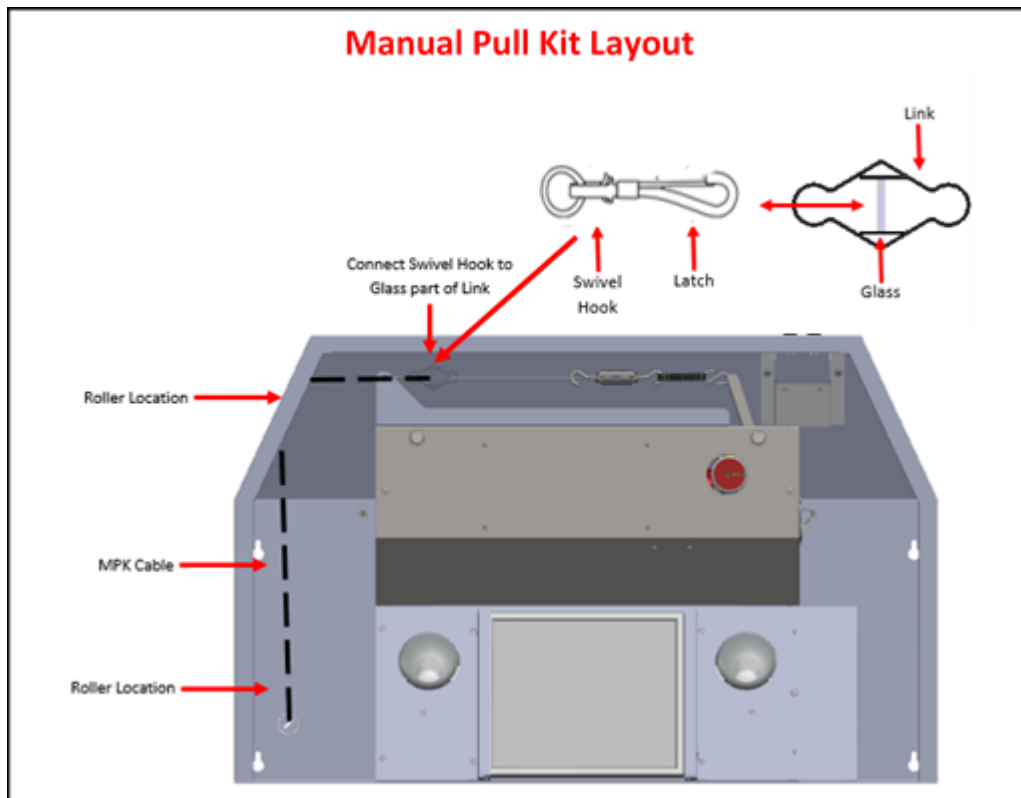
1x Manual Pull station
Face Plate



1x 1/2" ENT Conduit
Connector



3x 90 Degree Corner
Pulleys

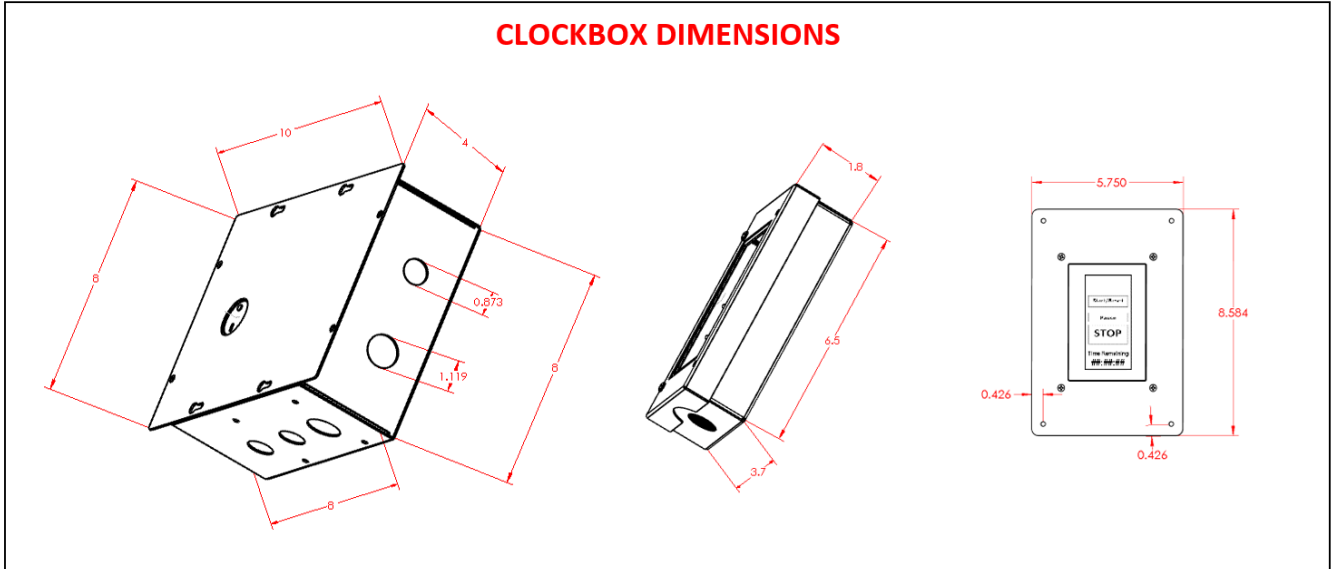


ClockBox Specifications and Dimensions

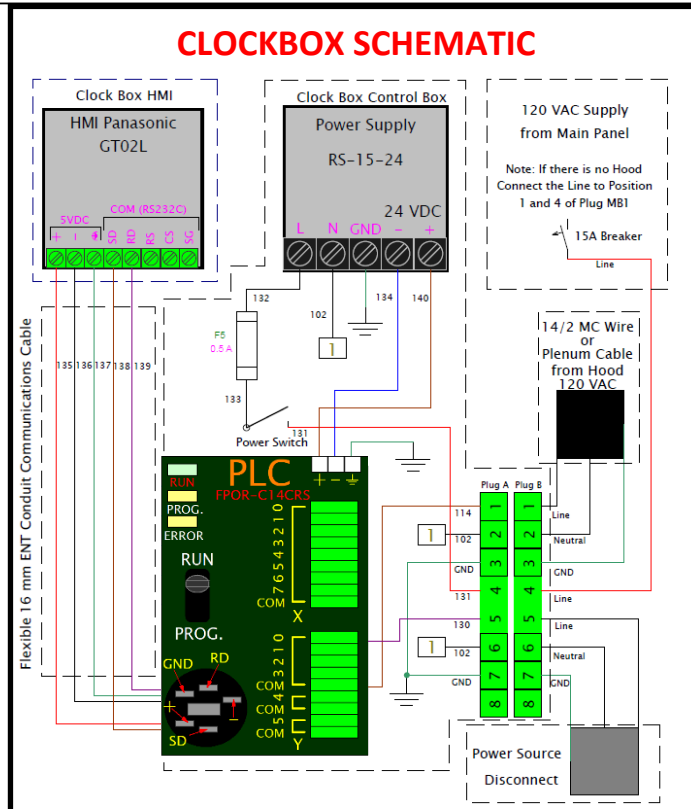
CLBX

MODEL	PART NUMBER	ELECTRICAL INFORMATION								MATERIAL INFORMATION		
		VOLTAGE (AC)	PHASE	FREQUENCY (Hz.)	BREAKER SIZE (AMPS)	OPERATING CURRENT (AMPS)	FUSE (AMPS)	Touch Screen Voltage (DC)	OUTPUT CURRENT MAXIMUM (AMPS)	MOUNTING	WEIGHT (Lbs.)	CONDUIT
Clock Box	ASY-200047	120	1	60	15	0.1	0.5	5	2	Surface Mount or Flush Mount	14	25FT. 16mm FLEXIBLE ENT CONDUIT

CLOCKBOX DIMENSIONS



CLOCKBOX SCHEMATIC

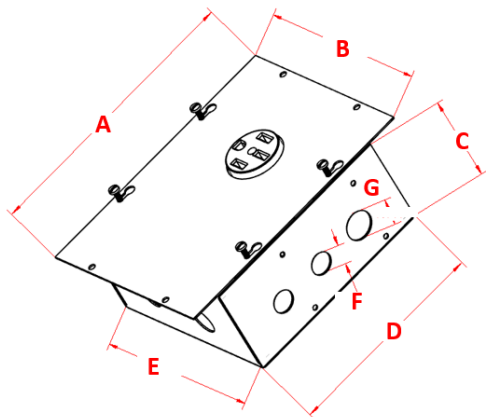


ELECTRICAL DISCONNECT

DS-E

		ELECTRICAL SPECIFICATIONS								
		RECEPTACLE RATINGS			COIL RATINGS					
MODEL	PART NUMBER	NEMA	OUTPUT VOLTS (AC)	OUTPUT CURRENT (AMPS)	COIL VOLTAGE (AC)	PHASE	FREQUENCY (Hz.)	FUSE (AMPS)	FUSE TYPE	OPERATING CURRENT (AMPS)
D1000-E-120 5-15	ASY-300068	5-15R	120	15	120	1	60	0.5	5X20mm CARTRIDGE	0.25
DS-E-120 5-15	ASY-300071			20						
D1000-E-120 5-20	ASY-300035	5-20R	120	20	120	1	60	0.5	5X20mm CARTRIDGE	0.25
DS-E-120 5-20	ASY-300038			20						
D1000-E-220 6-20	ASY-300067	6-20R	220	20	120	1	60	0.5	5X20mm CARTRIDGE	0.25
DS-E-220 6-20	ASY-300070			20						
D1000-E-220 10-50	ASY-300055	10-50R	220	50	120	1	60	0.5	5X20mm CARTRIDGE	0.25
DS-E-220 10-50	ASY-300069			50						
D1000-E-220 14-50	ASY-200074	14-50R	220	50	120	1	60	0.5	5X20mm CARTRIDGE	0.25
DS-E-220 14-50	ASY-200178			50						

DIMENSIONS AND WEIGHT

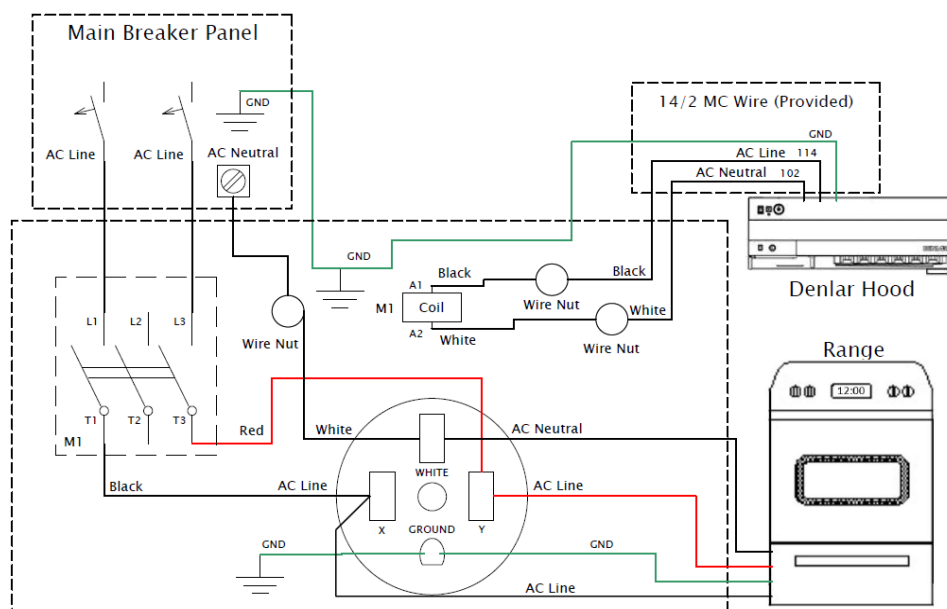


A	B	C	D	E	F	G
10.5	8	3.6	8	8	0.8	1.1

Measurements in Inches

MATERIAL INFORMATION			
WEIGHT (Lbs.)	MATERIAL	MOUNTING TYPE	MOUNTING HEIGHT
5.4	GALVANIZED	SURFACE OR FLUSH MOUNT	SEE LOCAL CODES

SCHEMATIC

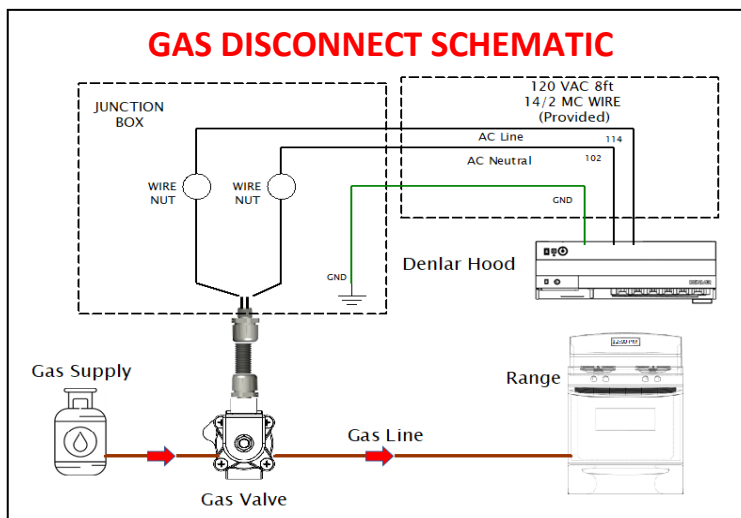
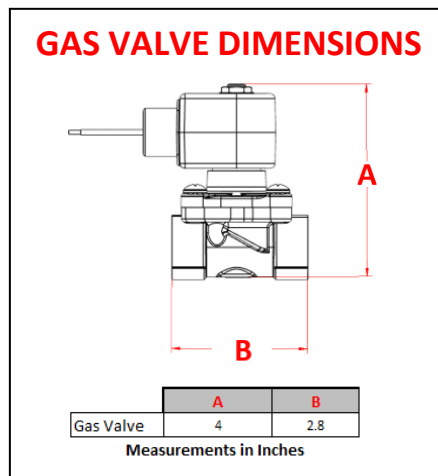


GAS DISCONNECT

DS-G

		GAS VALVE ELECTRICAL SPECIFICATIONS								
MODEL	PART NUMBER	COIL VOLTAGE (AC)	PHASE	FREQUENCY (Hz.)	FUSE (AMPS)	OPERATING CURRENT (AMPS)	VALVE TYPE	FUNCTION	ACTUATION TYPE	COIL TYPE
D1000-G	ASY-200094	120	1	60	0.5	0.25	2-WAY	NORMALLY CLOSED	DIRECT LIFT	1/2" NPT CONDUIT, 18' LEADS, CLASS F, NEMA 4X
DS-G	ASY-200184									

MATERIAL INFORMATION											
BODY MATERIAL	SEAL MATERIAL	ORIFICE SIZE	PORT SIZE	NUMBER OF PORTS	PORT TYPE	MEDIA	MINIMUM PRESSURE DIFFERENTIAL	MAXIMUM PRESSURE DIFFERENTIAL	MINIMUM FLUID TEMPERATURE	MAXIMUM FLUID TEMPERATURE	FLOW COEFFICIENT
BRASS	NBR	7/16"	3/4"	2	NPT	GENERAL PURPOSE FOR AIR, LIQUIDS, AND GASES	0 PSI	100 PSI (AC) PSI	0° F	185° F	5 Cv

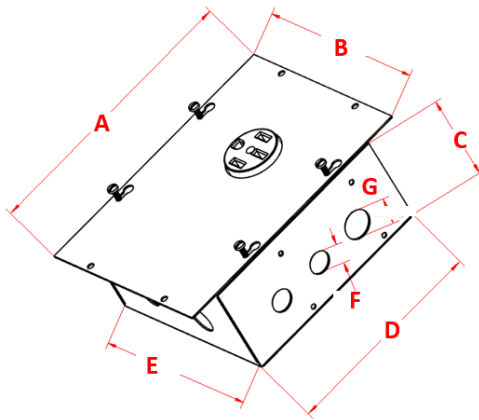


DUAL ELEMENT DISCONNECT

DS-DED

		ELECTRICAL SPECIFICATIONS									
		RECEPTACLE RATINGS			COIL RATINGS						
MODEL	PART NUMBER	NEMA	OUTPUT VOLTS (AC)	OUTPUT CURRENT (AMPS)	COIL VOLTAGE (AC)	PHASE	FREQUENCY (Hz.)	FUSE (AMPS)	FUSE TYPE	OPERATING CURRENT (AMPS)	
D1000-DED-120 5-15	ASY-300036	5-15R	120	15	120	1	60	0.5	5X20mm CARTRIDGE	0.25	
DS-DED-120 5-15	ASY-300037			20							
D1000-DED-120 5-20	ASY-300036	5-20R	120	20							
DS-DED-120 5-20	ASY-300037			20							
D1000-DED-220 6-20	ASY-200068	6-20R	220	50							
DS-DED-220 6-20	ASY-300070			50							
D1000-DED-220 10-50	ASY-200068	10-50R		220							50
DS-DED-220 10-50	ASY-300070										50
D1000-DED-220 14-50	ASY-200068	14-50R	220	50							
DS-DED-220 14-50	ASY-300070			50							

DIMENSIONS AND WEIGHT



A	B	C	D	E	F	G
10.5	8	3.6	8	8	0.8	1.1

Measurements in Inches

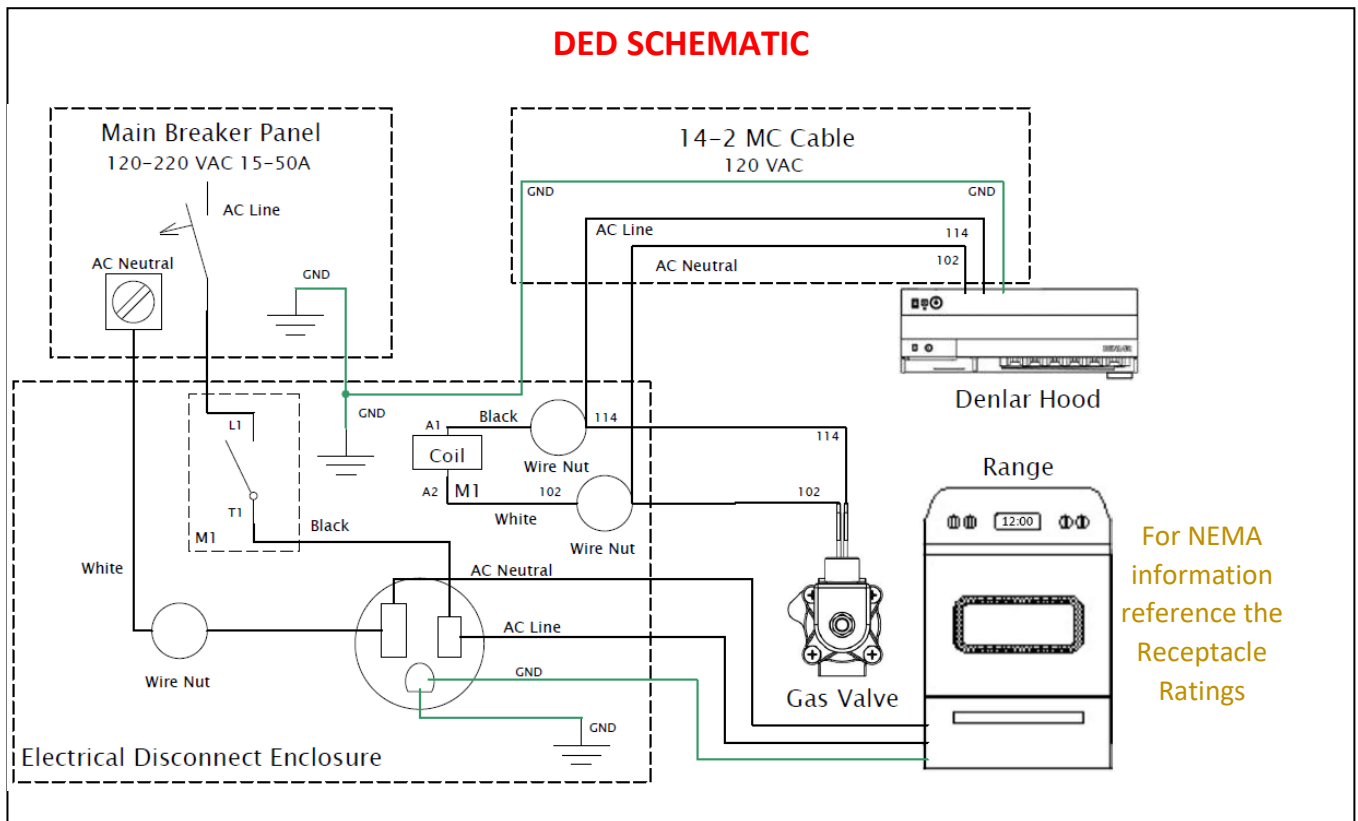
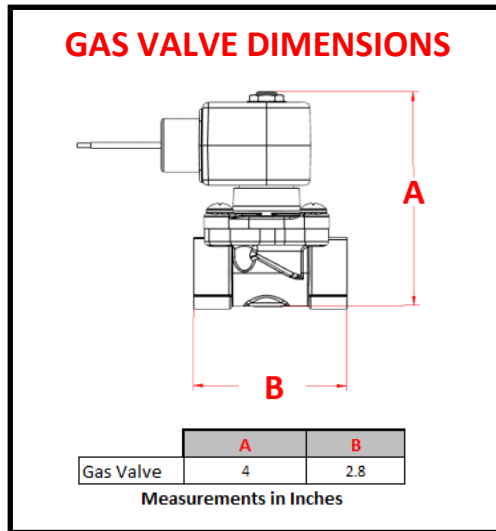
MATERIAL INFORMATION			
WEIGHT (Lbs.)	MATERIAL	MOUNTING TYPE	MOUNTING HEIGHT
5.4	GALVANIZED	SURFACE OR FLUSH MOUNT	SEE LOCAL CODES

		GAS VALVE ELECTRICAL SPECIFICATIONS								
MODEL	PART NUMBER	COIL VOLTAGE (AC)	PHASE	FREQUENCY (Hz.)	FUSE (AMPS)	OPERATING CURRENT (AMPS)	VALVE TYPE	FUNCTION	ACTUATION TYPE	COIL TYPE
D1000-DED-120	ASY-300036	120	1	60	0.5	0.25	2-WAY	NORMALLY CLOSED	DIRECT LIFT	1/2" NPT CONDUIT, 18' LEADS, CLASS F, NEMA 4X
DS-DED-120	ASY-300037									
D1000-DED-220	ASY-200068									
DS-DED-220	ASY-300070									

MATERIAL INFORMATION											
BODY MATERIAL	SEAL MATERIAL	ORIFICE SIZE	PORT SIZE	NUMBER OF PORTS	PORT TYPE	MEDIA	MINIMUM PRESSURE DIFFERENTIAL	MAXIMUM PRESSURE DIFFERENTIAL	MINIMUM FLUID TEMPERATURE	MAXIMUM FLUID TEMPERATURE	FLOW COEFFICIENT
BRASS	NBR	7/16"	3/4"	2	NPT	GENERAL PURPOSE FOR AIR, LIQUIDS, AND GASES	0 PSI	100 PSI (AC) PSI	0° F	185° F	5 Cv

DUAL ELEMENT DISCONNECT

DS-DED

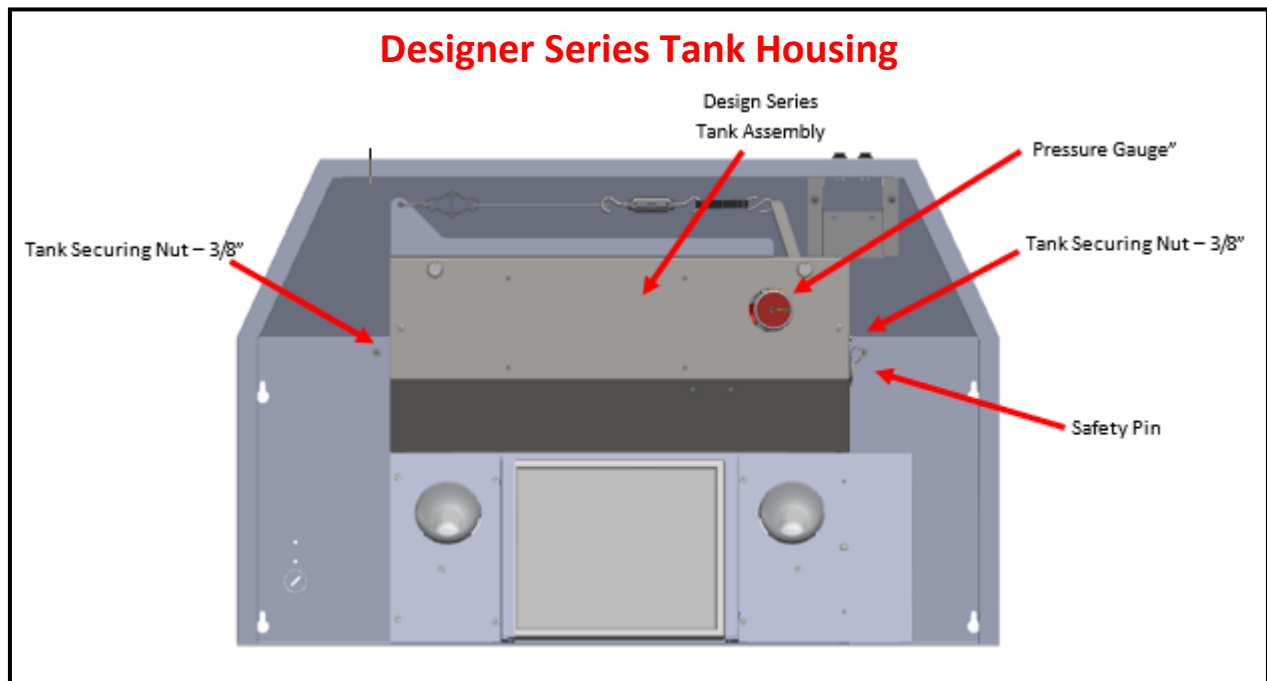
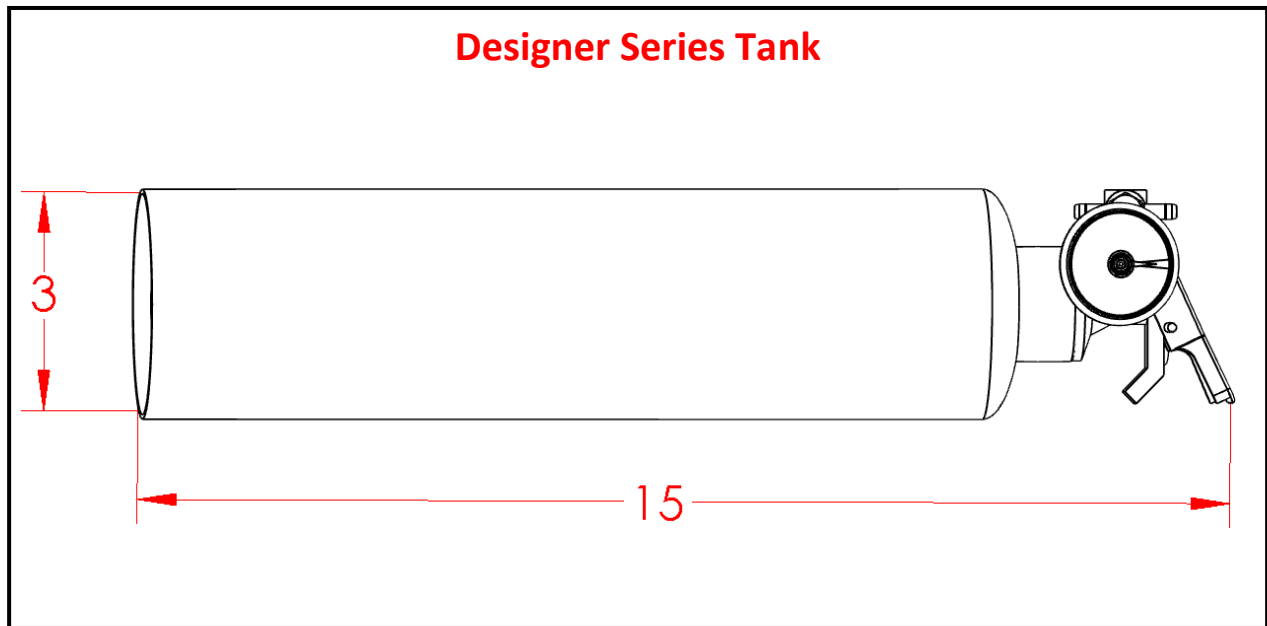


TANK FULLY CHARGED

DS-TANK-FC

(Integral to all Designer Hood Models)

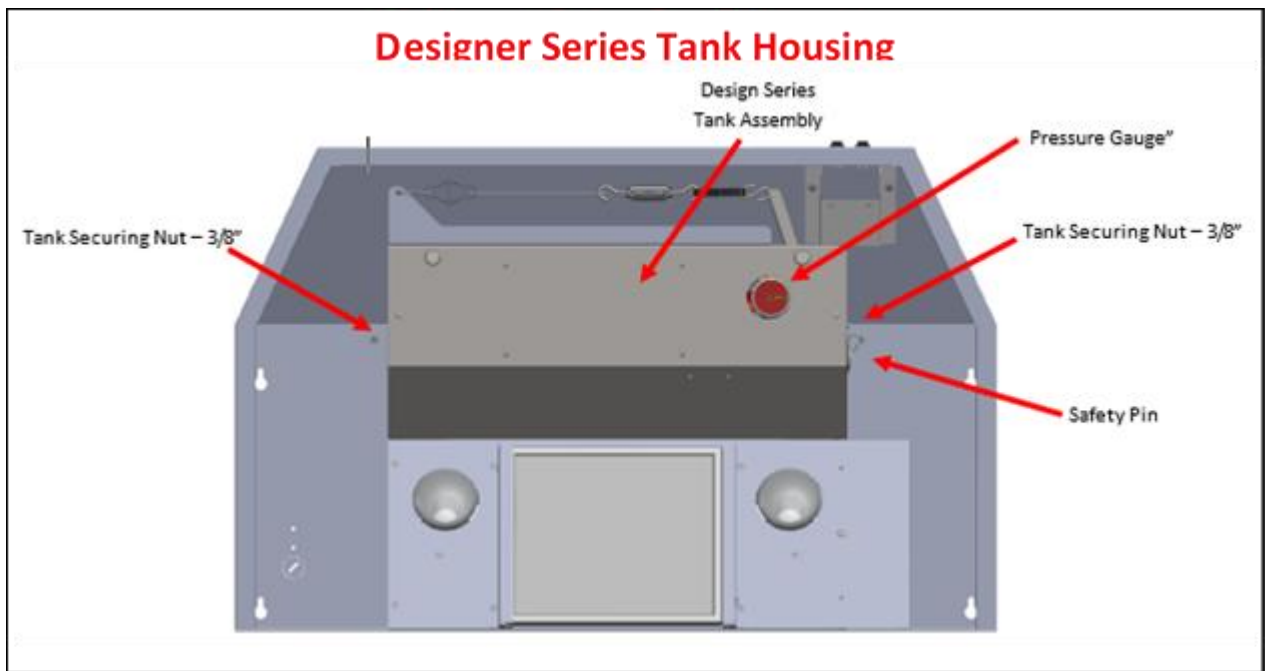
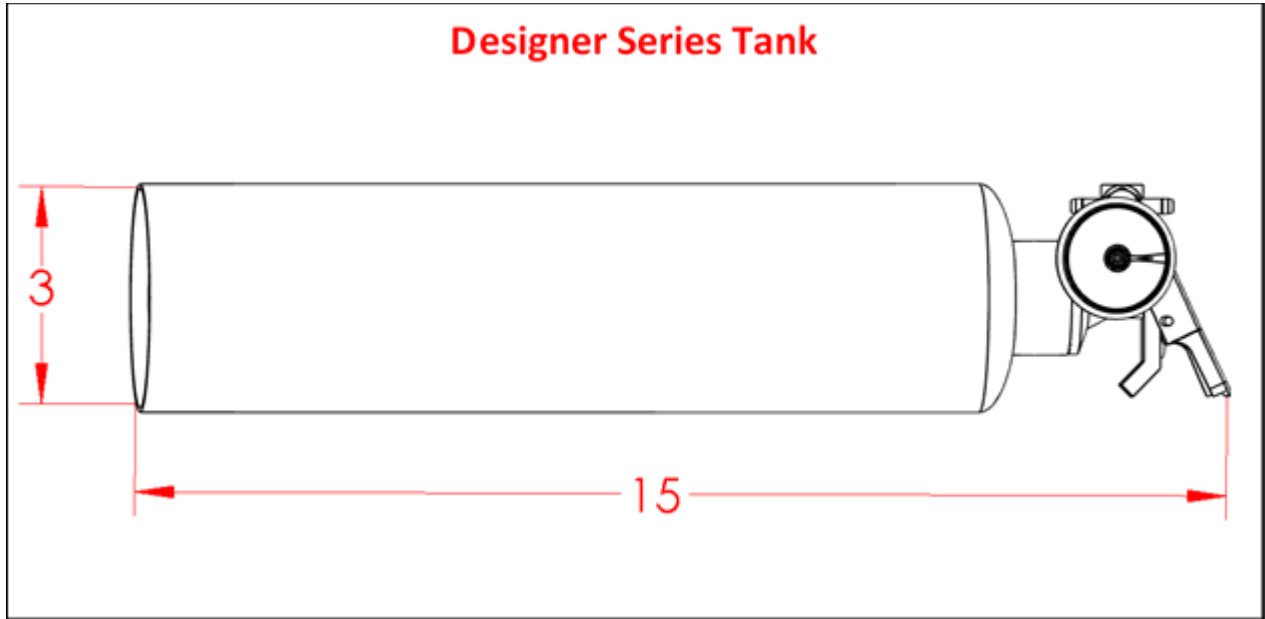
Tank Information													
MODEL	PART NUMBER	TYPE	COMPLIANCE	MOUNTING CONFIGURATION	LENGTH (In.)	DEPTH (In.)	HEIGHT (In.)	WEIGHT (Lbs.)	VESSEL	CHEMICAL TYPE	VOLUME (mL.)	CHEMICAL WEIGHT (Lbs.)	PRESSURE (PSI)+8%
DS-TANK-FC	ASY-200200	Self Contained Fire Suppression System	UL-1995	Integral to the Hood	N/A	3	15	4.6	Stainless Steel	Amerex 660	900	1.8	102



TANK WITH AMEREX AND NOT CHARGED

DS-TANK-SA

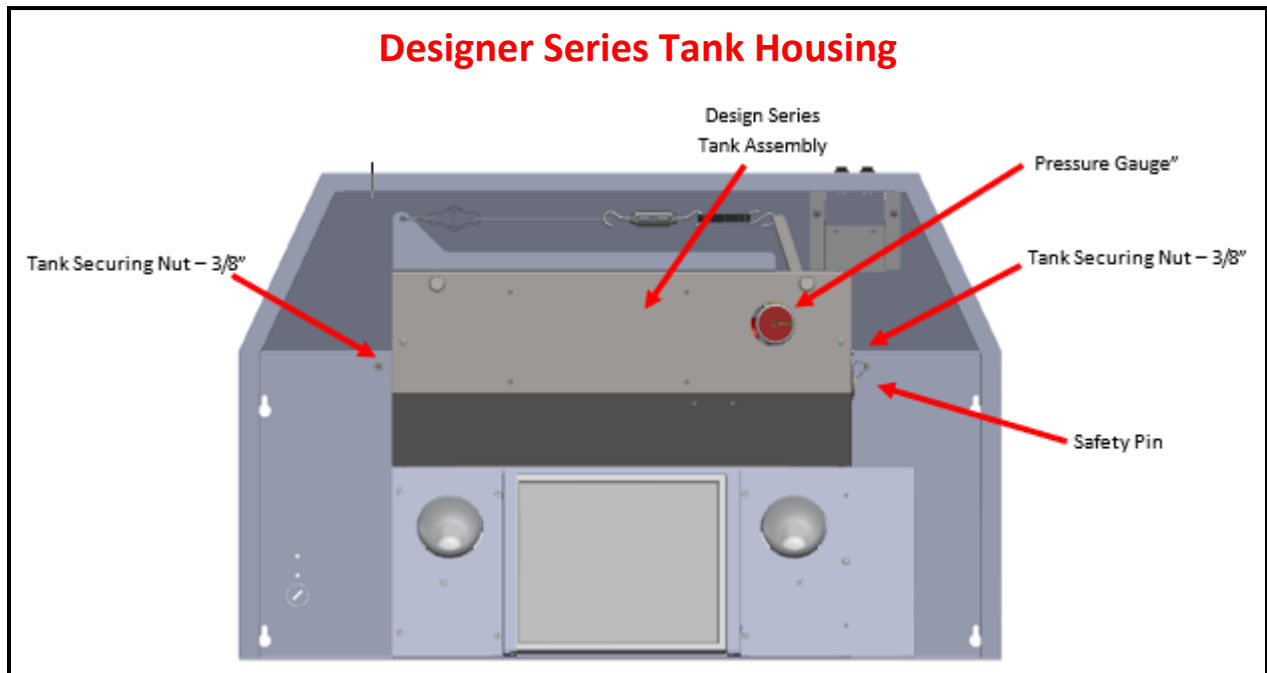
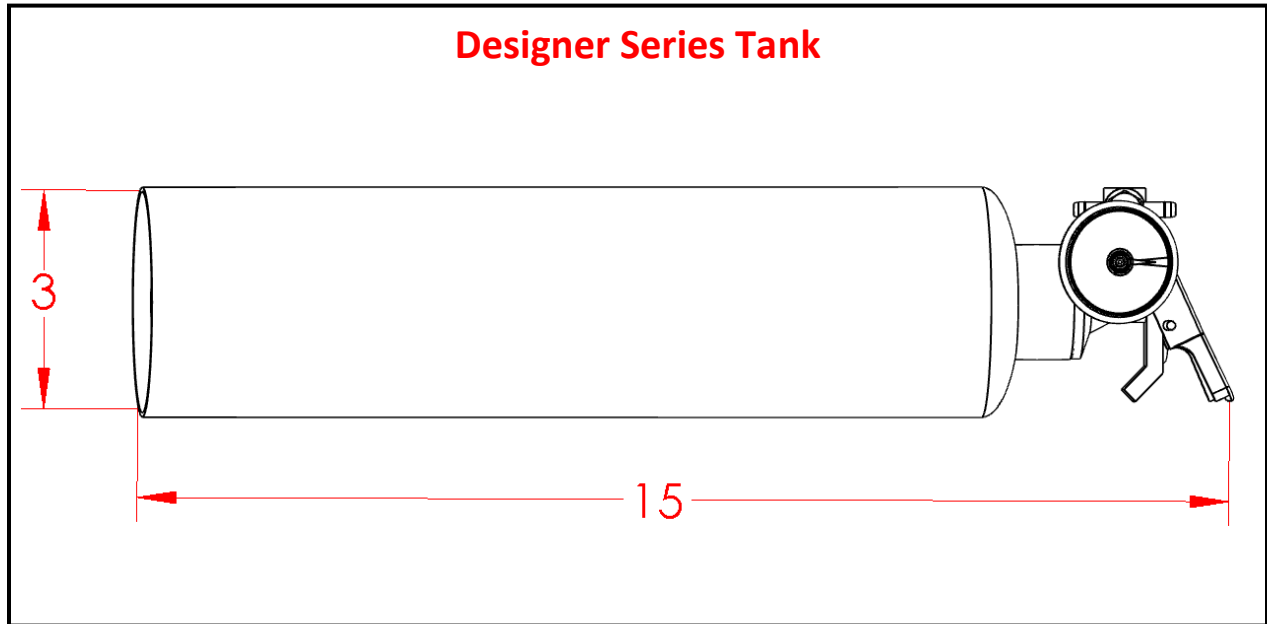
MODEL	PART NUMBER	Tank Information											
		TYPE	COMPLIANCE	MOUNTING CONFIGURATION	LENGTH (In.)	DEPTH (In.)	HEIGHT (In.)	WEIGHT (Lbs.)	VESSEL	CHEMICAL TYPE	VOLUME (mL.)	CHEMICAL WEIGHT (Lbs.)	PRESSURE (PSI)+8%
DS-TANK-SA	ASY-200203	Self Contained Fire Suppression System	UL-1995	Integral to the Hood	N/A	3	15	4.6	Stainless Steel	Amerex 660	900	1.8	(Charge to 102 on location)



TANK TEST – NITROGEN CHARGED ONLY

DS-TANK-TEST

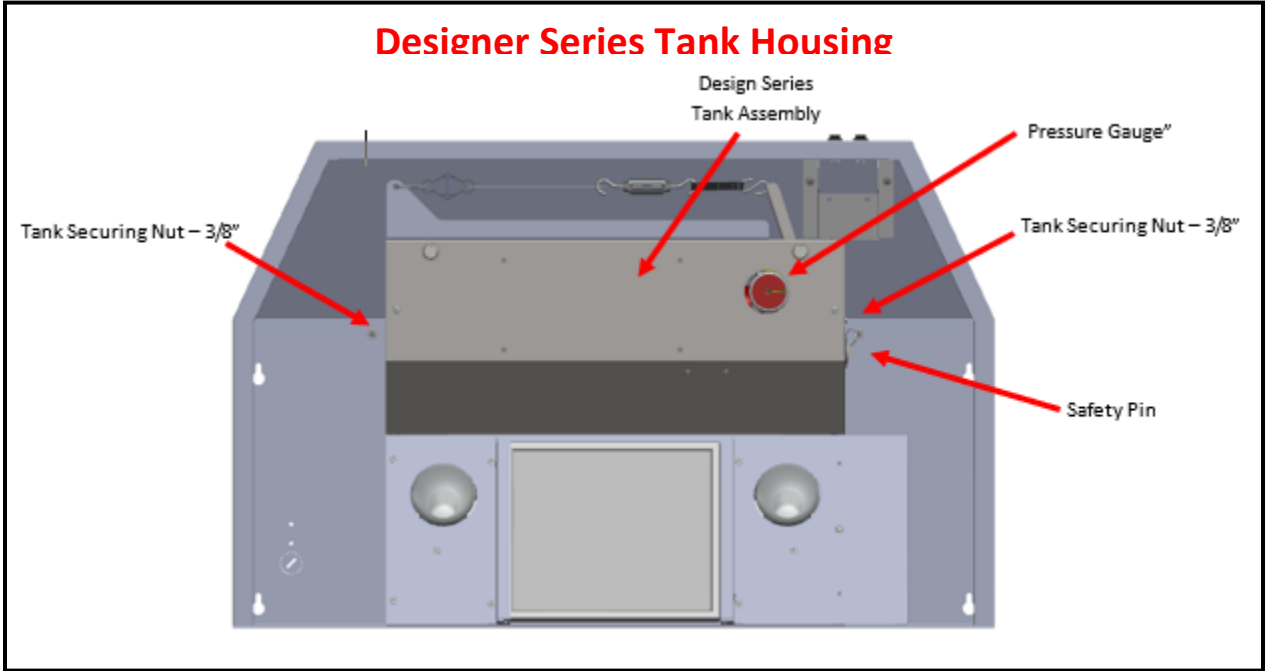
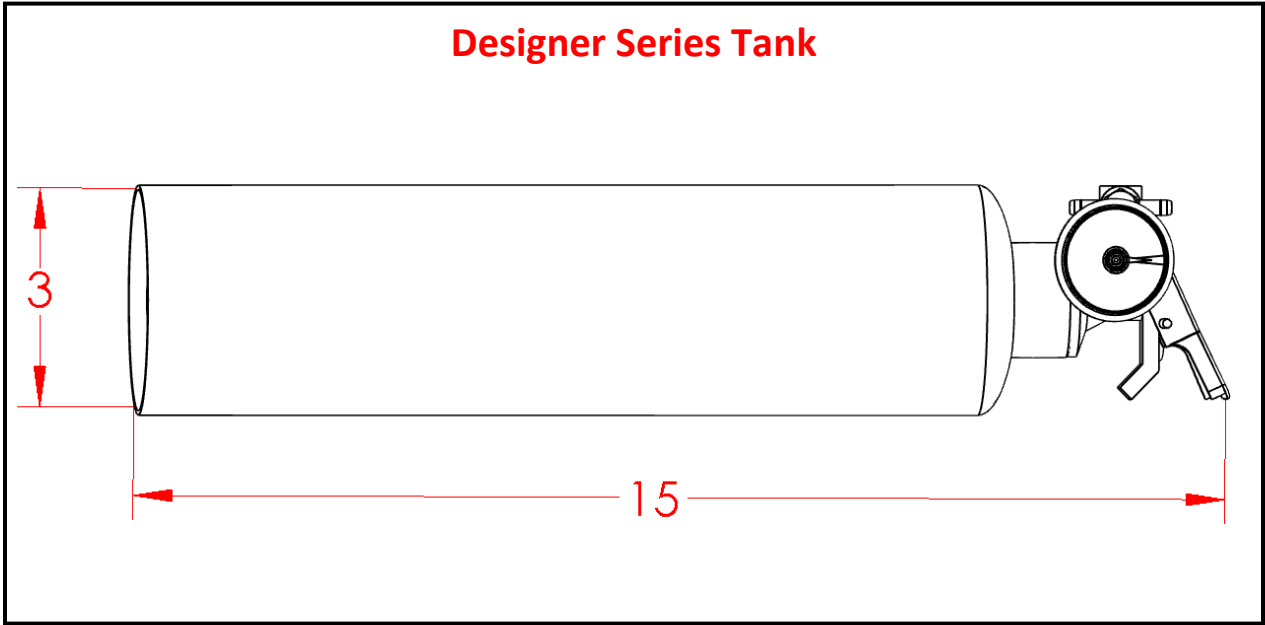
Tank Information													
MODEL	PART NUMBER	TYPE	COMPLIANCE	MOUNTING CONFIGURATION	LENGTH (In.)	DEPTH (In.)	HEIGHT (In.)	WEIGHT (Lbs.)	VESSEL	CHEMICAL TYPE	VOLUME (mL.)	CHEMICAL WEIGHT (Lbs.)	PRESSURE (PSI)+8%
DS-TANK-TEST	ASY-200201	Self Contained Fire Suppression Test System	UL-1995	Integral to the Hood	N/A	3	15	3	CRS	None	0	None	(Charge to 102 on location)



TANK NOT CHARGED

DS-TANK-E

Tank Information													
MODEL	PART NUMBER	TYPE	COMPLIANCE	MOUNTING CONFIGURATION	LENGTH (In.)	DEPTH (In.)	HEIGHT (In.)	WEIGHT (Lbs.)	VESSEL	CHEMICAL TYPE	VOLUME (mL.)	CHEMICAL WEIGHT (Lbs.)	PRESSURE (PSI)+8%
DS-TANK-E	ASY-200202	Self Contained Fire Suppression Test System	UL-1995	Integral to the Hood	N/A	3	15	3	CRS	None	0	None	(Charge to 102 on location)



HANDICAP ACCESSIBLE CONTROLS

DS-ADA

MODEL	PART NUMBER	ELECTRICAL INFORMATION					MATERIAL INFORMATION							
		VOLTAGE (AC)	FUSE (AMPS)	OPERATING CURRENT (AMPS)	PHASE	FREQUENCY (Hz.)	WEIGHT (Lbs.)	LENGTH (In.)	DEPTH (In.)	HEIGHT (In.)	MATERIAL	MOUNTING CONFIGURATION	MOUNTING HEIGHT (IN.)	CONDUIT
D1000-ADA	ASY-200055	120	SEE FAN MODEL	SEE FAN MODEL	1	60	1.5	3.75	2.5	3	PLASTIC AND STEEL	SURFACE MOUNT OR FLUSH MOUNT	SEE LOCAL CODES	15FT. 16mm FLEXIBLE ENT CONDUIT
DS-ADA	ASY-200175													

COMPONENTS

- ADA Wire Harness Assembly
 - (2) Toggle Switches (white)
 - (1) Metal 2-Gang Enclosure
 - (15') Plenum Cable Encased in 16mm ENT Flexible Conduit
 - (1) Eight-Position Male Connector (Plug-N-Play)
 - (1) 2-Gang White Switch Cover
 - (2) Mounting Brackets

