

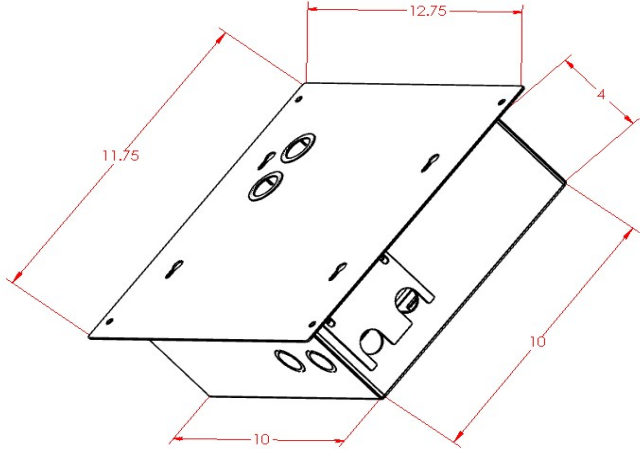
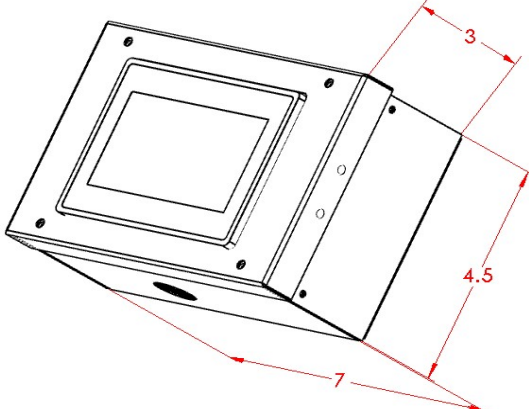
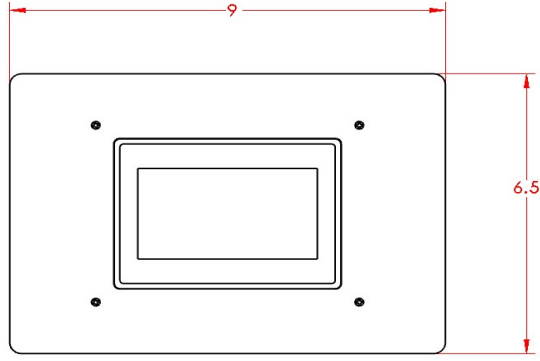
Clock Box Pro Datasheet

| MATERIAL INFORMATION | | | | | | | | | | | | | | | |
|----------------------|-----|--------|----------|------------------|------------------------------|-----------------------------------|----------------------------------|-------------------------------------|---------------|-----------------------|-----------------|-----------------------|-------|--------------------|------------------------------------|
| TYPE | QTY | BRAND | MODEL | COLORS AVAILABLE | MOUNTING CONFIG. | MATERIAL SPECIFICATIONS | | | | | | COMPONENT INFORMATION | | | |
| | | | | | | LENGTH (In.) | DEPTH (In.) | HEIGHT (In.) | WEIGHT (Lbs.) | MATERIAL | MOUNTING HEIGHT | VOLTAGE | PHASE | BREAKER SIZE (Amp) | CONTINUOUS OPERATING CURRENT (Amp) |
| Option | 1 | DENLAR | CLBX-Pro | Stainless Steel | Surface Mount or Flush Mount | Control Box: 10 Touch Screen:7 | Control Box: 4 Touch Screen:3 | Control Box: 10 Touch Screen:4.5 | 18 | Galvanized and 304 SS | See Local Codes | 110 VAC | 1 | 15 | 0.1 |

DENLAR

FIRE PROTECTION

PRE-ENGINEERED RANGE HOODS

| CLBX-PLC ASY-300020 | | CLBX ASY-200047 | |
|---|--|--|-------------|
| | | HMI, Screen for ClkBx | |
| | | Surface Mount | Flush Mount |
|  | |  | |
| | |  | |
| NOTES: 1 Enclosure can be Flush or Surface mounted. A 120 VAC Plug connection coming from the Hood or Clock Box is needed to be plugged in (Refer to Devices Flow Chart LAB-110207) 2 | | | |