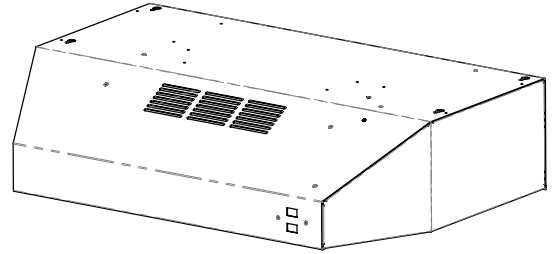


Owner's Manual



DESIGNER Series

Automatic Fire Suppression Range Hood

DENLAR
FIRE PROTECTION

READ AND SAVE THESE INSTRUCTIONS

WARNING

TO REDUCE THE RISK OF FIRE, ELECTRIC SHOCK, OR INJURY TO PERSONS, OBSERVE THE FOLLOWING:

1. Use this unit only in the manner intended by the manufacturer. If you have questions, contact the manufacturer at the address or telephone number listed on the front cover of this manual.
2. Before servicing or cleaning unit, switch power off at service panel and lock the service disconnecting means to prevent power from being switched on accidentally. When the service disconnecting means can-not be locked, securely fasten a prominent warning device, such as a tag, to the service panel.
3. Installation work and electrical wiring must be done by a qualified person(s) in accordance with all applicable codes and standards, including fire-rated construction codes and standards.
4. Sufficient air is needed for proper combustion and exhausting of gases through the flue (chimney) of fuel burning equipment to prevent backdrafting. Follow the heating equipment manufacturer's guideline and safety standards such as those published by the National Fire Protection Association (NFPA), and the American Society of Heating, Refrigeration and Air Conditioning Engineers (ASHRAE), and the local code authorities.
5. When cutting or drilling into wall or ceiling, do not damage electrical wiring and other hidden utilities.
6. To reduce the risk of fire or electric shock, do not use this range hood with an additional speed control device.
7. Ducted fans must always be vented to the outdoors.
8. To reduce the risk of fire, use only metal ductwork.
9. Use with approved wiring only.
10. This unit must be grounded.

TO REDUCE THE RISK OF A RANGE TOP GREASE FIRE:

1. Never leave surface units unattended at high settings. Boilovers cause smoking and greasy spillovers that may ignite. Heat oils slowly on low or medium settings.
2. Always turn hood ON when cooking at high heat or when flambéing food (i.e. Crepes Suzette, Cherries Jubilee, Peppercorn Beef Flambé).
3. Clean ventilating fans frequently. Grease should not be allowed to accumulate on fan or filter.
4. Use proper pan size. Always use cookware appropriate for the size of the surface element.

TO REDUCE THE RISK OF INJURY TO PERSONS IN THE EVENT OF A RANGE TOP GREASE FIRE, OBSERVE THE FOLLOWING:*

1. SMOTHER FLAMES with a close-fitting lid, cookie sheet, or metal tray, then turn off the burner. BE CAREFUL TO PREVENT BURNS. If the flames do not go out immediately, EVACUATE AND CALL THE FIRE DEPARTMENT.
2. NEVER PICK UP A FLAMING PAN — You may be burned.
3. DO NOT USE WATER, including wet dishcloths or towels - violent steam explosion will result.
4. Use an extinguisher ONLY if:
 - A. You know you have a Class ABC extinguisher and you already know how to operate it.
 - B. The fire is small and contained in the area where it started.
 - C. The fire department is being called.
 - D. You can fight the fire with your back to an exit.

* Based on "Kitchen Fire Safety Tips" published by NFPA.

CAUTION

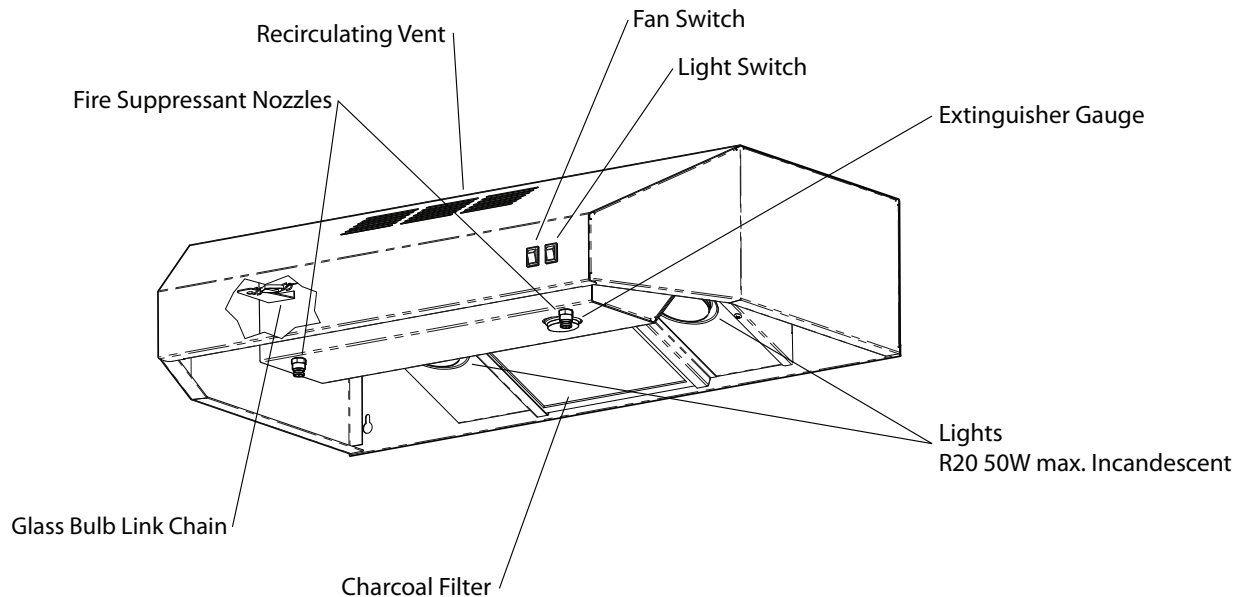
1. For general ventilating use only. Do not use to exhaust hazardous or explosive materials and vapors.
2. To avoid motor bearing damage and noisy and/or unbalanced impellers, keep drywall spray, construction dust, etc. off power unit.
3. For best capture of cooking impurities and performance of fire extinguisher, your range hood should be mounted so that the bottom of the hood is 24-30" above the cooking surface.
4. Please read specification sheets for further information and requirements.

Operation

Refer to the diagram below to familiarize yourself with the hood and its features.

Lights and Fan: Lights are controlled by an on/off switch on the front of the hood. The fan is controlled by a three position switch -low-off-high- on the front of the hood.

In the Event of a Fire: If a fire starts on the cooktop surface, the glass bulb links will break and release a suppressant agent through the nozzles. If you have a stove cutoff device or alarm output installed, these will now turn off energy to the stove and trigger the alarm. The stove will not be able to be turned back on, and the alarm will continue to be triggered, until the hood suppression system is reset.



Cleaning



Warning: Be careful when cleaning the cable chain. The glass bulb links are very fragile and will set off the suppression system if broken.



Warning: To reduce the risk of electric shock, make sure power is switched off at the service panel before cleaning.

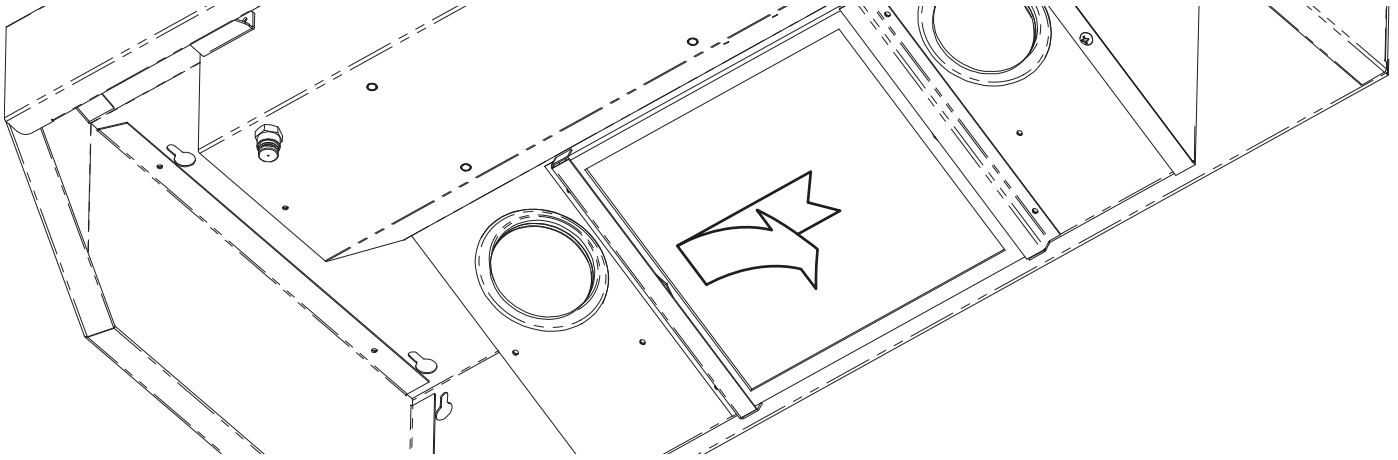
Clean the hood and charcoal filter as needed with a damp cloth and mild detergent. Do not immerse the filter in water or wash in a dishwasher. Use care if cleaning the fan blades, as they can become misaligned or bent and will no longer work properly. **Do not allow water to enter the fan motor.** Make sure all surfaces are dry before restoring power to the hood.

Replacement Light Bulbs

Designer series hoods use two R20, 50 W maximum incandescent bulbs.

Replace Charcoal Filter

To replace the charcoal filter, move the filter to one side in its track, then pivot it down and remove from the hood. Replacement filters may be obtained from your local Denlar Fire Protection distributor.



Purchaser Representation and Waiver

Denlar Fire Protection units purchased carry limitations regarding product liability, warranty and maintenance support. Hood units are sold only with the written acknowledgement of the Purchaser to the following terms and conditions. The Purchaser and or its clients/customers are required to contract with an installation / service organization to install and or perform any required periodic inspections on the hood unit/s.

Installation / Maintenance:

- The Purchaser must read and understand all installation and service requirements for the unit as published and supplied with each unit;
- All hood units must be installed according to the manufacturer's instructions for site preparation, electrical connections, gas connections (as applicable), unit mounting, startup and testing;
- The Purchaser of the unit accepts all responsibility for adherence to federal, state and local law, ordinances and codes;
- The Purchaser acknowledges that federal, state and local law, ordinances and codes vary by locality and are likely to require testing, periodic inspection and maintenance of fire safety equipment such as Denlar Fire Protection hoods.
- The Purchaser accepts responsibility to notify its clients or customers, if the hood unit is resold, of the need for the testing, periodic inspection and maintenance of the unit in accordance with federal, state and local law, ordinances and codes.

Liability:

The Purchaser agrees to indemnify and hold harmless Denlar Fire Protection LLC, Chapco Inc, and its successors for any claims or legal actions made for product installation, performance, malfunction and any event that may cause damage, injury or death due to improper installation and/or improper adherence to any applicable law, ordinance and code. This Agreement and any other rights and obligations of the Parties arising out of their relationship shall be construed and enforced in accordance with and governed by the laws of the State of Connecticut. Any action or proceeding seeking to enforce any provision of, or based on any right arising out of, this Agreement may be brought against any of the Parties in the courts of the State of Connecticut, or, if it has or can acquire jurisdiction, in the United States District Court for the District of Connecticut, and each of the Parties consent to the jurisdiction of such courts (and of the appropriate appellate courts) in any such action or proceeding and waives any objection to venue therein.

Warranty

Manufacturer (Denlar Fire Protection, LLC) warrants that this product will, under normal use and service, be free from defects in material and workmanship for a period of Twelve (12) months from the date of original shipment. Manufacturer agrees, upon written notice from end user, given no later than thirty (30) days after the defect is discovered, to repair or replace, at the manufacturer's discretion, any part which after examination by manufacturer is disclosed to have been defective, provided that such product is returned to manufacturer, transportation charges prepaid, during the warranty period. This warranty does not apply to any damage resulting from accident, improper installation, alteration, misuse, abuse, or non-conformation to local, national, or international building code. The full extent of manufacturer's warranty obligations is solely to repair or replace any defective component of the original unit.

THERE ARE NO OTHER WARRANTY OBLIGATIONS OF MANUFACTURER, INCLUDING ANY WARRANTY OF MERCHANT LIABILITY OR FITNESS FOR A PARTICULAR PURPOSE, EITHER EXPRESSED OR IMPLIED.

The system must be installed and serviced by qualified installation and service technicians using only factory authorized parts. Use of untrained installation or service personnel or use of non-authorized factory parts will void factory warranty. Manufacturer holds the right to deem whether personnel installing or servicing system are or are not considered qualified, at any time before, during or after installation or service. The warranty for items not manufactured by manufacturer is limited to the warranty obligations of manufacturer's suppliers and shall be subject to performance of such warranty obligations by the suppliers.

MANUFACTURER IS NOT LIABLE FOR ANY OTHER COSTS, LABOR CHARGES, DELAYS OR CLAIMS NOR FOR ANY CONSEQUENTIAL, CONTINGENT OR INCIDENTAL DAMAGES WITH RESPECT TO THE PRODUCT OR ITS USE.

Manufacturer neither assumes nor authorizes any person to assume for it any other obligation or liability in connection with this product.