

D1000 Fire Alarm Test Procedure

Overview:

After hood installation, it may be necessary to perform a functional demonstration test of the fire alarm system. This test is designed to demonstrate all functionalities of alarms for the D1000 system (terminals C1 and Y1 of the PLC).

- Audible alarm;
- Activation of the Trouble alarm output;
- Activation of the Fire alarm output;
- Cutout of the power / fuel to the range;

Required items for conducting the test:

- Needle Nose Pliers; Heat Gun

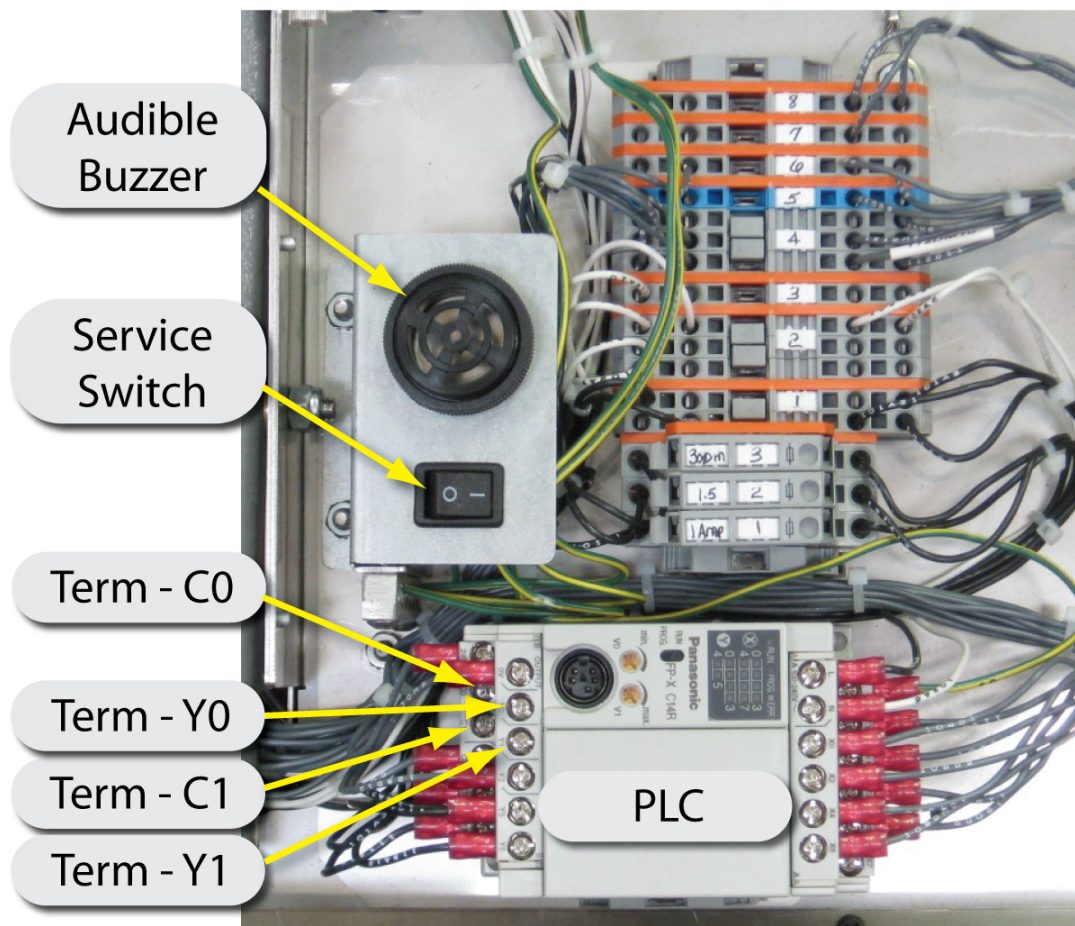


Figure 1 - PLC Components

Test Preparation:

Turn the power to the D1000 Series hood off. Lower the hood into the service position (**note:** see *Service Manual for instructions*). Ensure that the service switch is in the off position (**note:** the “o” of the switch is pressed down).

Test Procedure – Fire Alarm:

1. The PLC is the square white box located in the top center of the hood unit. Attach the common of the fire alarm circuit to the C1 terminal of the PLC.
2. Attach the contact alarm wire to the Y1 terminal of the PLC. The system is normally programmed to have a NO output. To change the output to NC, add a jumper between terminal blocks 4 and 5.
3. Turn the power to the D1000 Series hood on and press reset. Ensure that the LED is green.

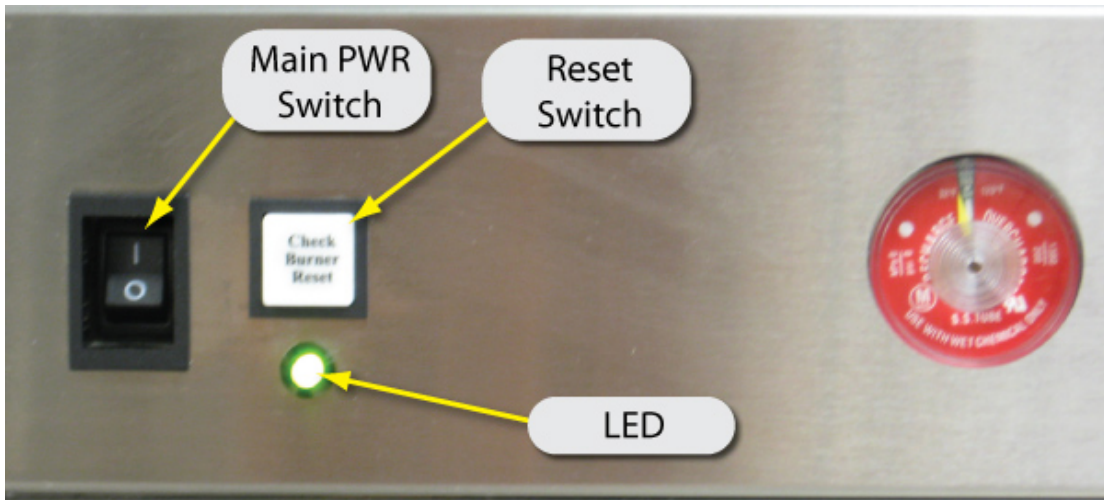


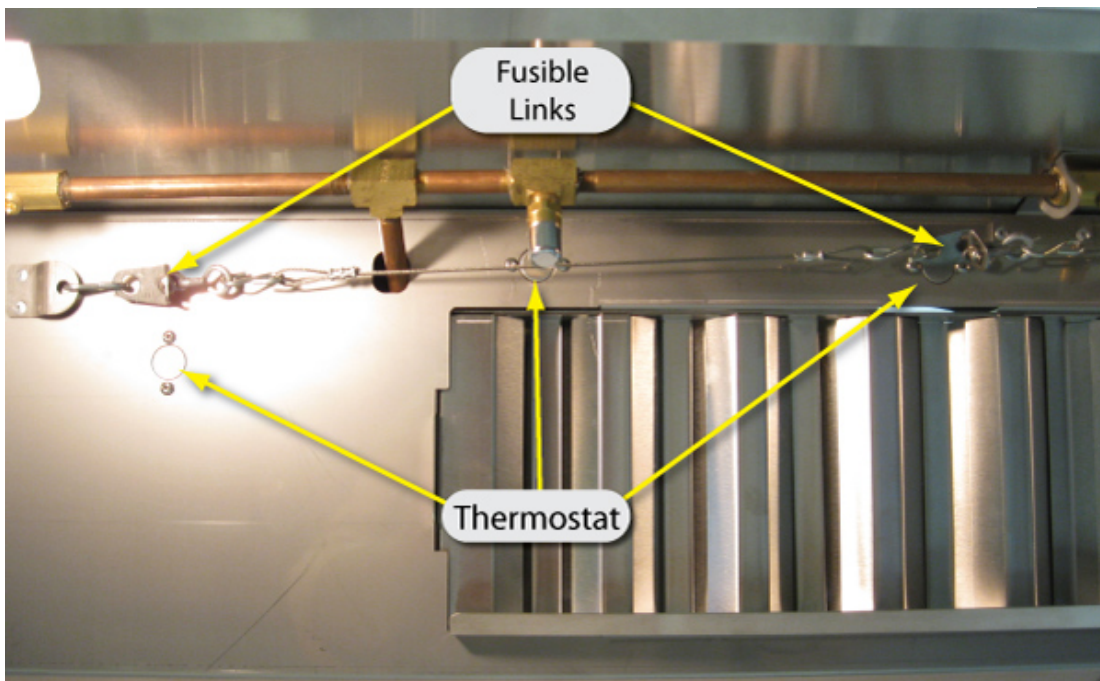
Figure 2 - Front Panel Controls

4. There are three round thermostats located on the bottom of the hood unit near the fusible links. Heat the center thermostat using a heat gun until the audible buzzer is active and the power disconnect shuts off. At this time, contacts Y0 and C0 will connect

CAUTION: BE CAREFUL HEATING THE THERMOSTATS – OVERHEATING THE FUSIBLE LINKS WILL CAUSE THE SYSTEM TO DISCHARGE – AND MAY CAUSE BODILY HARM.

5. The tank is located in the upper left hand part of the unit. On the backside of the tank there is a pressure switch with two grey wires, numbers 106 and 112. With the audible buzzer active use the needle nose pliers to disconnect the 106 wire from the pressure switch (**note: grab the wire by the plastic tab and not the wire insulation**).

Figure 3 - Thermostat and Fusible Link Locations



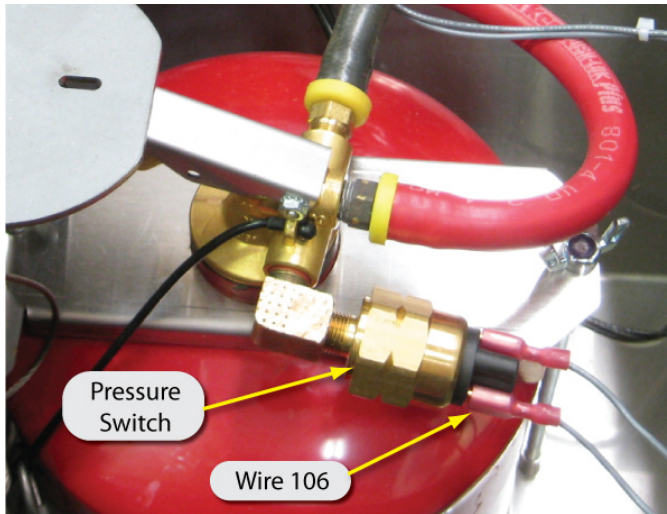


Figure 4 - Pressure Switch Leads

6. As the pressure switch lead is removed, the C1 and Y1 contacts of the PLC connect and will activate the fire alarm if connected.
7. The test is now complete.
8. Turn the power to the D1000 Series hood off.
9. Reattach the 106 wire to the pressure switch.
10. Raise the hood unit and secure it.
11. The system may not be reset until the thermostat has cooled sufficiently to close its internal contacts. After approximately five minutes, the Reset Switch may be pushed to enable the system and ready it for normal operation.