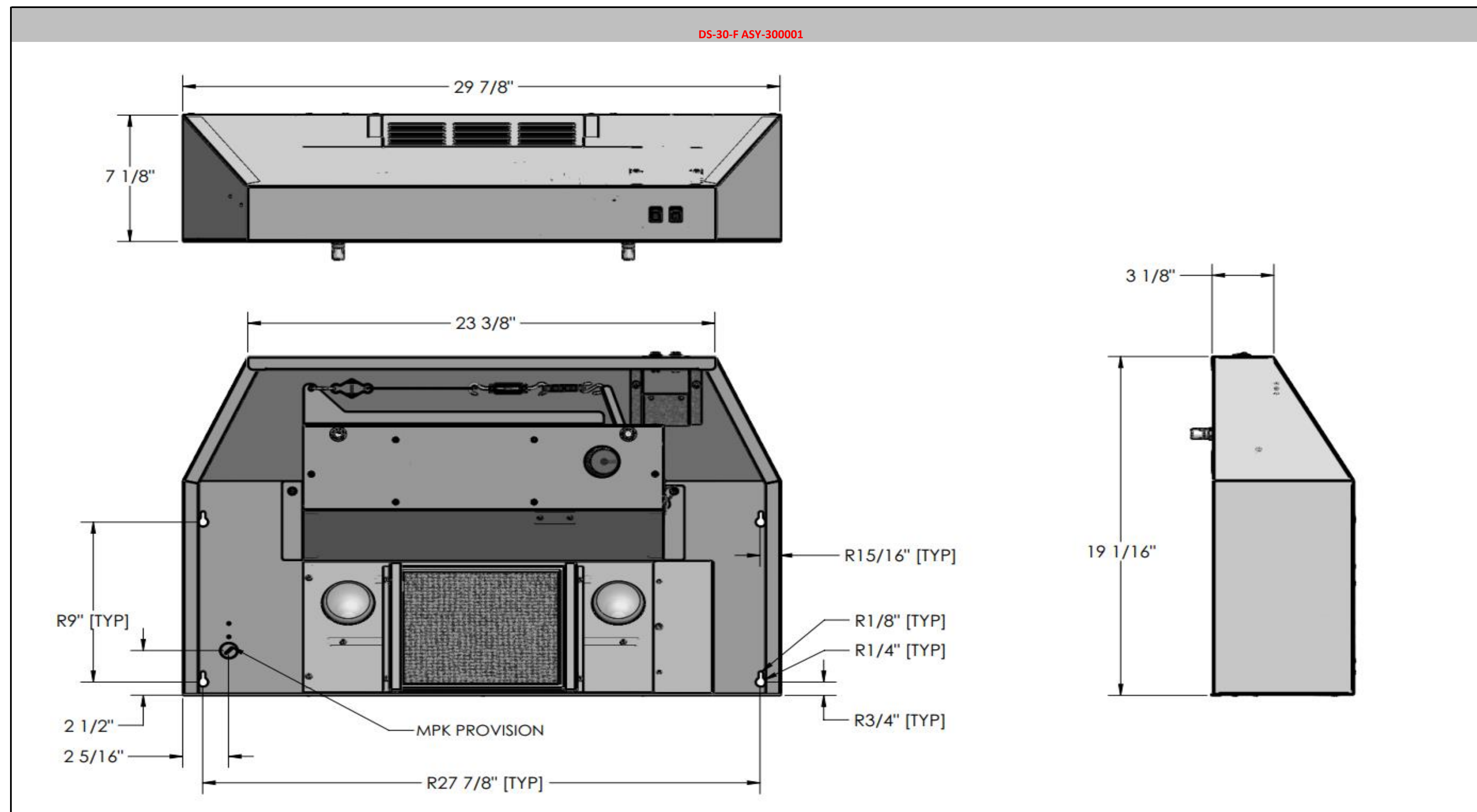


DS-30-F DATASHEET

DS-30-F ASY-300001																								
MATERIAL INFORMATION																								
TYPE	QTY	BRAND	MODEL	COMPLIANCE	COLORS AVAILABLE	MOUNTING CONFIG.	MATERIAL SPECIFICATIONS						COMPONENT INFORMATION											
							LENGTH (In.)	DEPTH (In.)	HEIGHT (In.)	WEIGHT (Lbs.)	MATERIAL	MOUNTING HEIGHT	VOLTAGE	PHASE	BREAKER SIZE (Amp)	CONTINUOUS OPERATING CURRENT (Amp)	DISCONNECT FOR APPLIANCE					LIGHTING DETAILS		
																DS-E	DS-G	DS-DED-220	DS-DED-120	DS-DRD	TYPE	WATTS	QTY.	
HOOD	1	DENLAR	DS-30-F	UL 300A UL 507	SS, WHITE, BLACK, BISQUE AND OTHERS	WALL	30	19.25	7	33.25	304 SS	MIN.: 18" MAX.: 26"	110 VAC	1	15	1.2	Specify NEMA 14-50R, 6-20R, 6-15R, or 5-15R	SOLENOID 3/4" NPT	D1000-E-220 (Specify NEMA) and D1000-G	D1000-E-120 (Specify NEMA) and D1000-G	Two Receptacles (Specify voltage and NEMA)	Reflector	45 EA	2

VENTILATION INFORMATION															FIRE SUPPRESSION INFORMATION										
STYLE	TYPE	WEIGHT (Lbs.)	ELECTRICAL INFORMATION				CFM +2.5% (Low-High)	PRESSURE (In. Water)	DBA (Low-High)	DIMENSIONS (L x H) (In.)				CONTROL	SPEEDS	TYPE	AGENT			VESSEL			NOZZLES		
			VOLTAGE	PHASE	BREAKER SIZE (Amp)	OPERATING CURRENT (Amp)				HOOD OUTLET	DUCT	FAN INLET	FAN OUTLET				TYPE	VOLUME (mL)	WEIGHT (Lbs.)	PRESSURE (psi)	TYPE	DIA. (In.)	HEIGHT (In.)	TYPE	QTY.
Front Discharge	Integral to Hood	4	120 VAC	1	Supply line from hood	Low : 0.41A High: 0.57A	30 ~ 44	0.08	57 ~ 66	9 X 2.5	N/A	6.75	9 X 2.5	Switch	Off, Low, High	Self Contained Fire Suppression System	Amerex 660	900	1.8	102 +8%	CRS	3	15	60 DEG. CONICAL	2



Additional Options		
Model	Part Number	Description
CLBX	ASY-200047	Clock Box Password Protected Range Timer
DS-MPK	ASY-200188	Manual Pull Station
DS-ADA	ASY-200175	Handicap Accessible Controls
DS-TANK-TEST	ASY-200201	Nitrogen Puff Test Tank
DS-G	ASY-200184	Gas Range Disconnect
DS-E	ASY-200178	Electric Range Disconnect
DS-DED	ASY-200212	Pwr Range Disconnect for Electric and Gas
DRD 5-15 (125V) 15A	ASY-300025	Dual Receptacle Disconnect 5-15 (125V) 15A
DRD 5-20 (125V) 20A	ASY-300026	Dual Receptacle Disconnect 5-20 (125V) 20A
DRD 6-20 (250V) 20A	ASY-300027	Dual Receptacle Disconnect 6-20 (250V) 20A

DENLAR
FIRE PROTECTION
 PRE-ENGINEERED RANGE HOODS
 The World's Only Fail-Safe UL300A Hood