

D1000-TANK-FC DATASHEET

D1000-TANK-FC ASY-200139

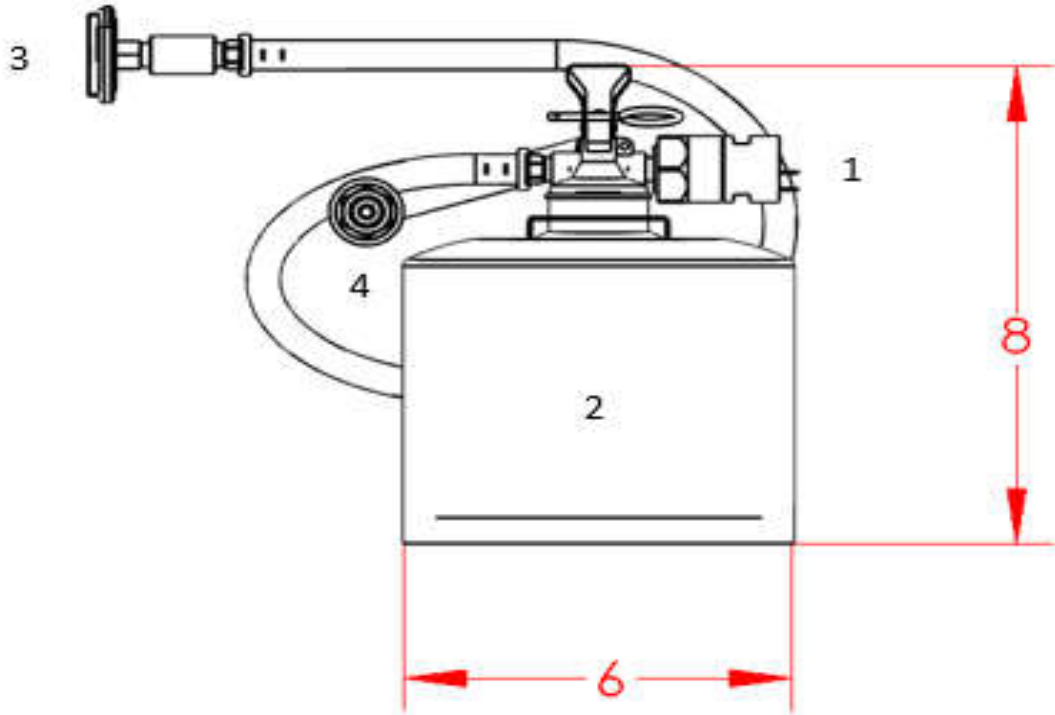
MATERIAL INFORMATION

| TYPE | QTY | BRAND | MODEL | COMPLIANCE | COLORS AVAILABLE | MOUNTING CONFIG. | MATERIAL SPECIFICATIONS | | | | | | FIRE SUPPRESSION INFORMATION | | | | | | | |
|------|--------|--------|---------------|------------|------------------|----------------------|-------------------------|-------------|--------------|---------------|-----------------|-----------------|--|----------|-------------|---------------|----------------|-----------------|------------|--------------|
| | | | | | | | LENGTH (In.) | DEPTH (In.) | HEIGHT (In.) | WEIGHT (Lbs.) | MATERIAL | MOUNTING HEIGHT | TYPE | AGENT | | | VESSEL | | | |
| | | | | | | | | | | | | | | TYPE | VOLUME (mL) | WEIGHT (Lbs.) | PRESSURE (psi) | TYPE | DIA. (In.) | HEIGHT (In.) |
| 1 | Option | DENLAR | D1000-TANK-FC | UL-1995 | Stainless Steel | Integral to the Hood | N/A | 6 | 8 | 9.4 | Stainless Steel | N/A | Self Contained Fire Suppression System | Nitrogen | NA | NA | 102 +8% | Stainless Steel | 6 | 8 |

VENTILATION INFORMATION

| STYLE | AGENT | | | | VESSEL | | |
|-----------------|------------|------------|--------------|---------------|--------|-----------|-------------|
| | TYPE | VOLUME(mL) | WEIGHT(Lbs.) | PRESSURE(psi) | TYPE | DIA.(In.) | HEIGHT(In.) |
| Front Discharge | Amerex 660 | 1840 | 3.4 | 102 +8% | 304 SS | 6 | 8 |

D1000-TANK-FC ASY-200139



NOTES:

- 1 Tank is Equipped with a Pressure Switch which opens on discharge
- 2 Tank is of Stainless Steel Construction
- 3 Visual Pressure Gauge
- 4 Discharge Hose with Quick Connect fitting attached

DENLAR
FIRE PROTECTION
PRE-ENGINEERED RANGE HOODS
 The World's Only Fail-Safe UL300A Hood