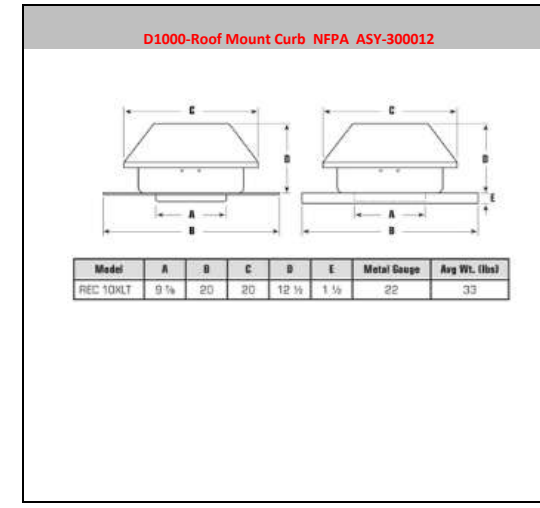
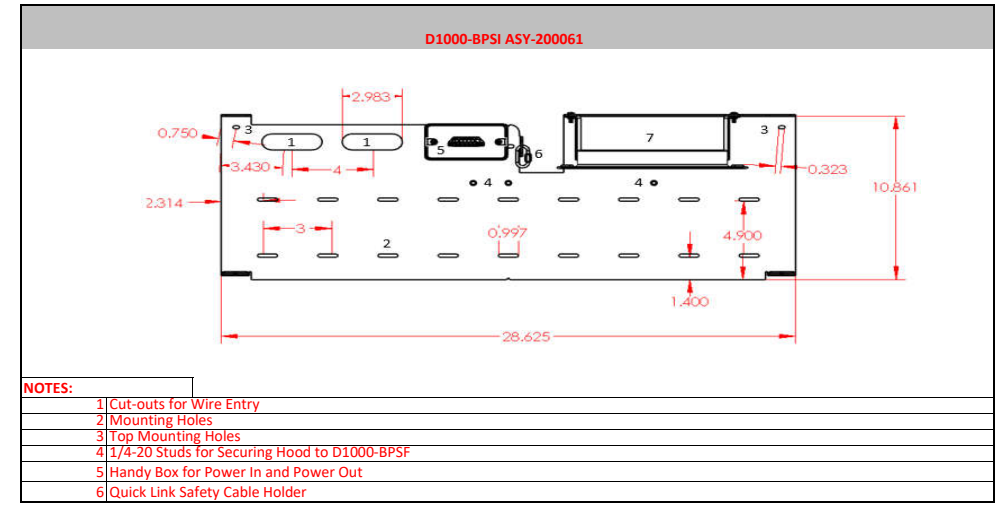
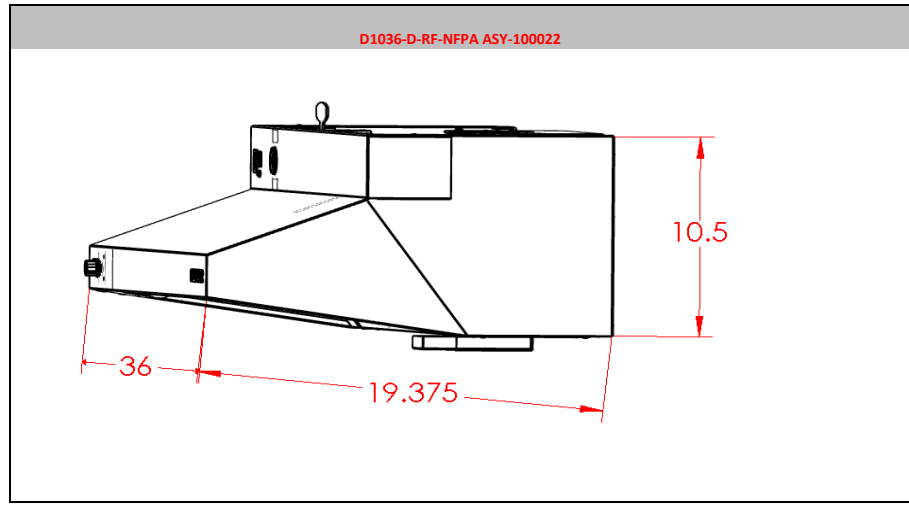


D1036-D-RF-NFPA DATASHEET

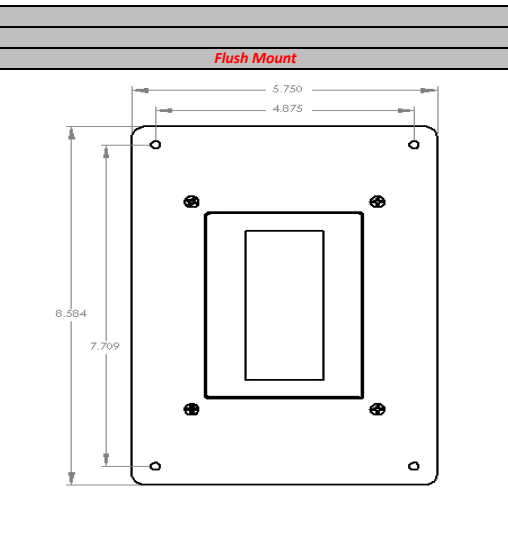
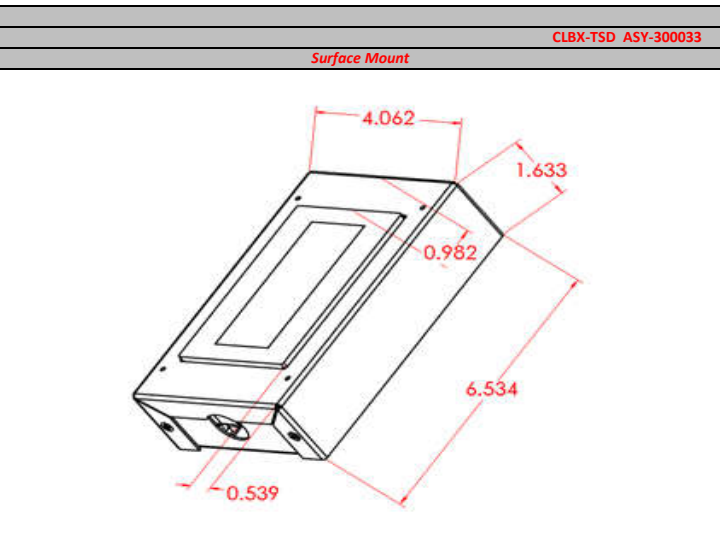
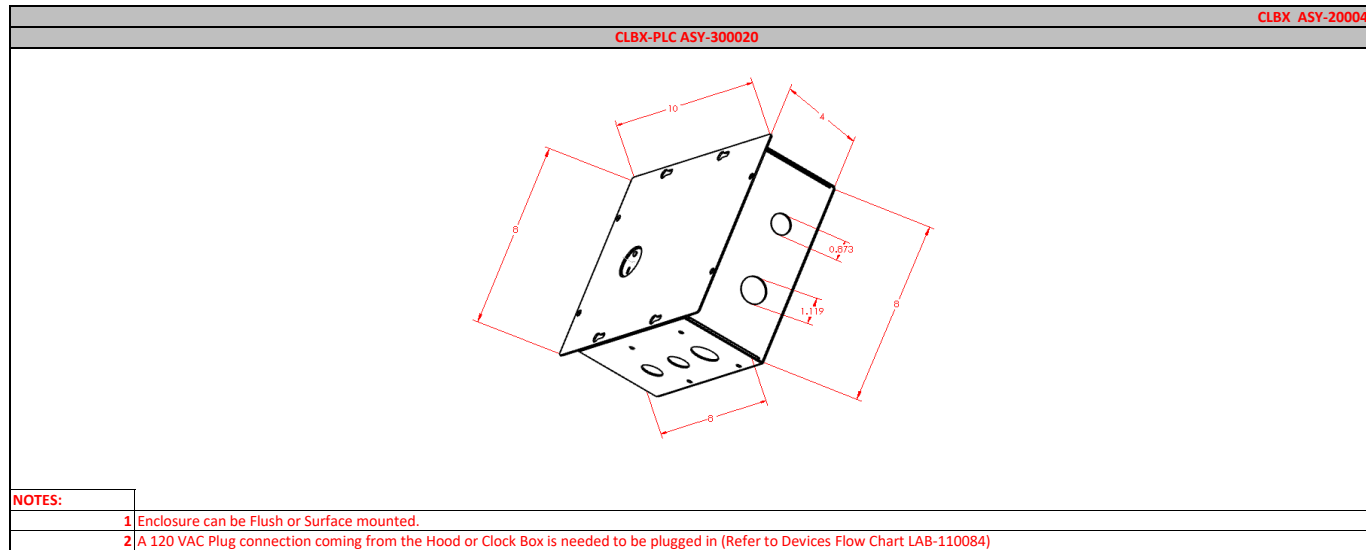
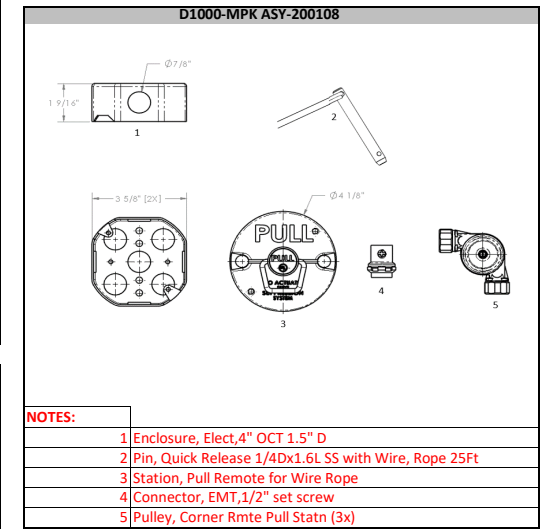
| D1036-D-RF-NFPA ASY-100022 | | | | | | | | | | | | | | | | | | | | | | | | |
|----------------------------|-----|--------|-----------------|----------------|-------------------------------------|------------------|-------------------------|-------------|--------------|---------------|----------|------------------------|---------|-------|--------------------|------------------------------------|---|-------------------|--|--|--|---------------|-------|------|
| MATERIAL INFORMATION | | | | | | | | | | | | | | | | | | | | | | | | |
| TYPE | QTY | BRAND | MODEL | COMPLIANCE | COLORS AVAILABLE | MOUNTING CONFIG. | MATERIAL SPECIFICATIONS | | | | | COMPONENT INFORMATION | | | | | LIGHTING DETAILS | | | | | | | |
| | | | | | | | LENGTH (In.) | DEPTH (In.) | HEIGHT (In.) | WEIGHT (Lbs.) | MATERIAL | MOUNTING HEIGHT | VOLTAGE | PHASE | BREAKER SIZE (Amp) | CONTINUOUS OPERATING CURRENT (Amp) | DISCONNECT FOR APPLIANCE | | | | | TYPE | WATTS | QTY. |
| HOOD | 1 | DENLAR | D1036-D-RF-NFPA | UL 300A UL 507 | SS, WHITE, BLACK, BISQUE AND OTHERS | WALL | 36 | 19.375 | 10.5 | 56.8 | 304 SS | MIN.: 30" MAX.: 36" | 110 VAC | 1 | 15 | 5.6 | Specify NEMA 14-50R, 6-20R, 6-15R, or 5-15R | SOLENOID 3/4" NPT | D1000-E-220 (Specify NEMA and D1000-G) | D1000-E-120 (Specify NEMA) and D1000-G | Two Receptacles (Specify voltage and NEMA) | Shatter Proof | 60 | 1 |

| VENTILATION INFORMATION | | | | | | | | | | | | | | | FIRE SUPPRESSION INFORMATION | | | | | | | | | | |
|--------------------------|--|---------------|------------------------|-------|-----------------------|-------------------------|------------------------|---------------------|----------------|--------------------------|--------|-----------|------------|---------------------------------|------------------------------|--|------------|-------------|---------------|----------------|--------|------------|--------------|-----------------|------|
| STYLE | TYPE | WEIGHT (Lbs.) | ELECTRICAL INFORMATION | | | | CFM +/-2.5% (Low-High) | PRESSURE (IN WATER) | DBA (Low-High) | DIMENSIONS (L x H) (In.) | | | | CONTROL | SPEEDS | TYPE | AGENT | | | VESSEL | | | NOZZLES | | |
| | | | VOLTAGE | PHASE | BREAKER SIZE (Amp) | OPERATING CURRENT (Amp) | | | | HOOD OUTLET | DUCT | FAN INLET | FAN OUTLET | | | | TYPE | VOLUME (mL) | WEIGHT (Lbs.) | PRESSURE (psi) | TYPE | DIA. (In.) | HEIGHT (In.) | TYPE | QTY. |
| Inline Ducted Roof Mount | Roof with Curb adapter (Without physical curb) | 35 | 120 VAC | 1 | Supply line from hood | 4.4 | 326 ~ 548 | -0.39 ~ -1.09 | 63 ~ 75 | 7 | 50 ft. | 9-7/8" | 20 | Electronic Control Module (ECM) | Variable | Self Contained Fire Suppression System | Amerex 660 | 1840 | 3.4 | 102 +/-8% | 304 SS | 6 | 8 | 60 DEG. CONICAL | 4 |

| Additional Options | | |
|---------------------|-------------|--|
| Model | Part Number | Description |
| D1000-ADA | ASY-200055 | Handicap Accessible Controls |
| D1000-TANK-TEST | ASY-200140 | Nitrogen Puff Test Tank |
| D1000-NSF | ASY-200005 | NSF Approved Sealant |
| D1000-E | ASY-200074 | Electric Range Disconnect |
| D1000-G | ASY-200094 | Gas Range Disconnect |
| D1000-DED | ASY-200068 | Pwr Range Disconnect for Electric and Gas |
| DRD 5-15 (125V) 15A | ASY-300025 | Dual Receptacle Disconnect 5-15 (125V) 15A |
| DRD 5-20 (125V) 20A | ASY-300026 | Dual Receptacle Disconnect 5-20 (125V) 20A |
| DRD 6-20 (250V) 20A | ASY-300027 | Dual Receptacle Disconnect 6-20 (250V) 20A |
| D1030-TC D | ASY-200153 | Top Cover for 30" Hood with Inline Exhaust |



| Included with | | |
|---------------|-------------|---------------------|
| Model | Part Number | Description |
| D1000-MPK | ASY-200108 | Manual Pull Station |
| CLBX | ASY-200047 | Clock Box Password |



DENLAR
FIRE PROTECTION
 PRE-ENGINEERED RANGE HOODS
 The World's Only Fail-Safe UL300A Hood