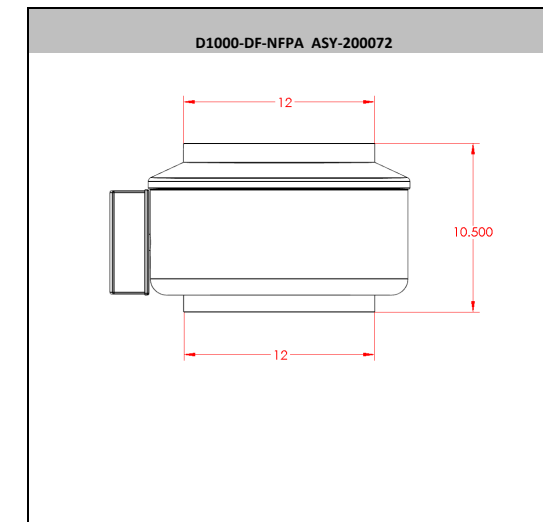
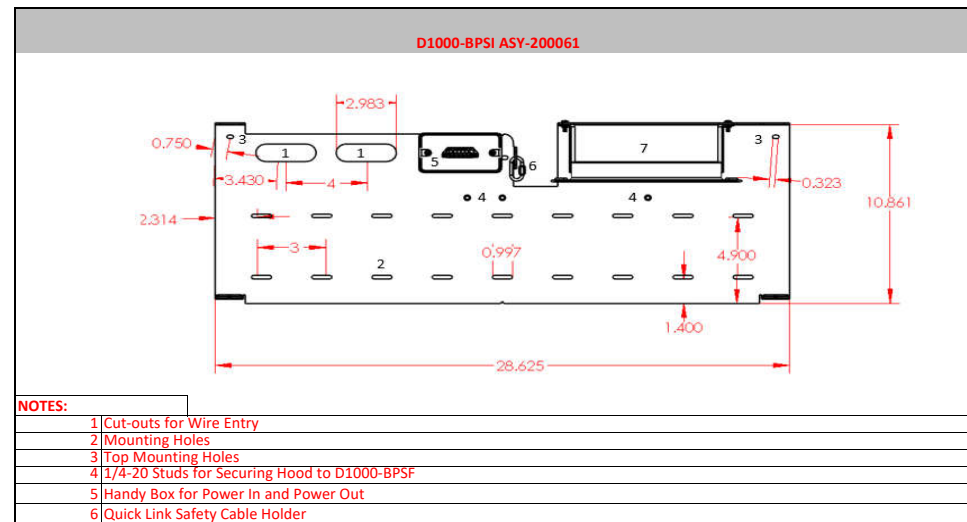
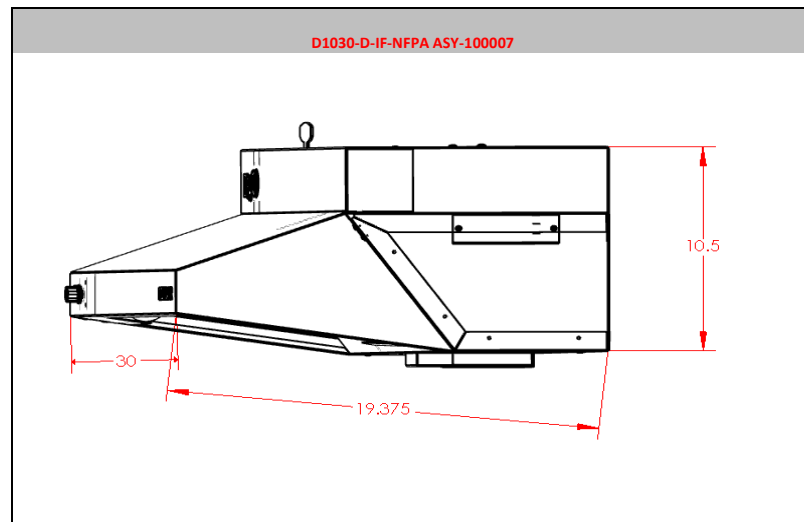


D1030-D-IF-NFPA DATASHEET

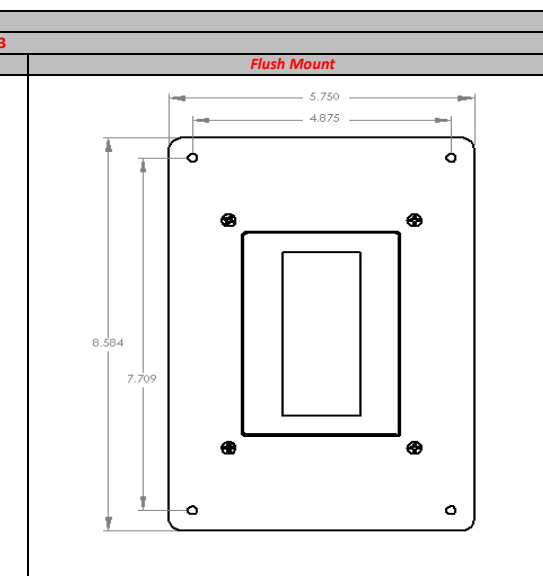
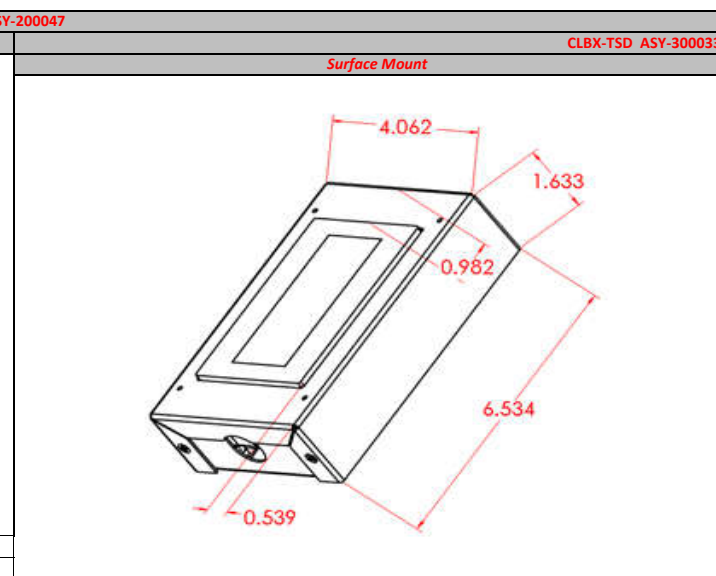
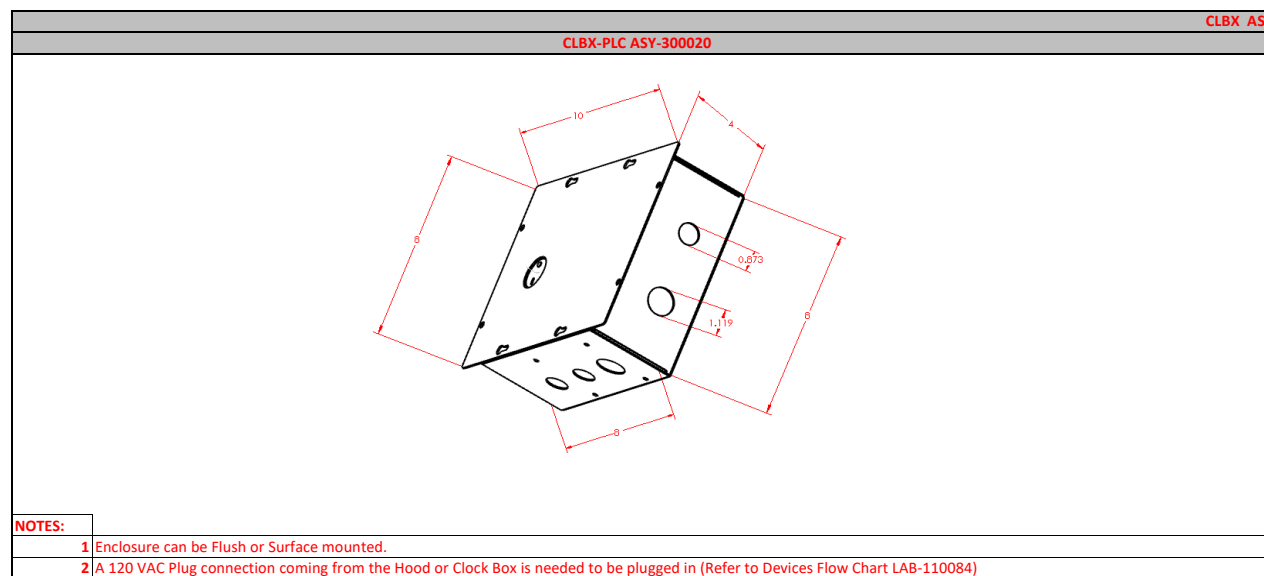
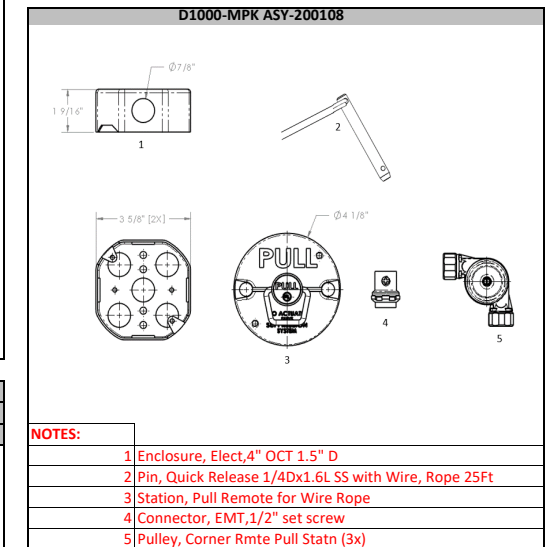
D1030-D-IF-NFPA ASY-100007																								
MATERIAL INFORMATION																								
TYPE	QTY	BRAND	MODEL	COMPLIANCE	COLORS AVAILABLE	MOUNTING CONFIG.	MATERIAL SPECIFICATIONS					COMPONENT INFORMATION												
							LENGTH (In.)	DEPTH (In.)	HEIGHT (In.)	WEIGHT (Lbs.)	MATERIAL	MOUNTING HEIGHT	VOLTAGE	PHASE	BREAKER SIZE (Amp)	CONTINUOUS OPERATING CURRENT (Amp)	DISCONNECT FOR APPLIANCE				LIGHTING DETAILS			
HOOD	1	DENLAR	D1030-D-IF-NFPA	UL 300A UL 507	SS, WHITE, BLACK, BISQUE AND OTHERS	WALL	30	19.375	10.5	53.4	304 SS	MIN.: 24" MAX.: 30"	110 VAC	1	15	3.1	Specify NEMA 14-50R, 6-20R, 6-15R, or 5-15R	SOLENOID 3/4" NPT	D1000-E-220 (Specify NEMA) and D1000-G	D1000-E-120 (Specify NEMA) and D1000-G	Two Receptacles (Specify voltage and NEMA)	Shatter Proof	60	1

VENTILATION INFORMATION														FIRE SUPPRESSION INFORMATION											
STYLE	TYPE	WEIGHT (Lbs.)	ELECTRICAL INFORMATION				CFM +/-2.5% (Low-High)	PRESSURE (IN WATER)	DBA (Low-High)	DIMENSIONS (L x H) (In.)				CONTROL	SPEEDS	TYPE	AGENT			VESSEL			NOZZLES		
			VOLTAGE	PHASE	BREAKER SIZE (Amp)	OPERATING CURRENT (Amp)				HOOD OUTLET	DUCT	FAN INLET	FAN OUTLET				TYPE	VOLUME (mL)	WEIGHT (Lbs.)	PRESSURE (psi)	TYPE	DIA. (In.)	HEIGHT (In.)	TYPE	QTY.
Inline	Ducted	13.5	120 VAC	1	Supply line from hood	2.5	297 ~ 545	-0.29 ~ -0.89	60 ~ 70	7	35 ft.	12 (Dia.)	12 (Dia.)	Electronic Control Module (ECM)	Variable	Self Contained Fire Suppression System	Amerex 660	1840	3.4	102 +/-8%	304 SS	6	8	60 DEG. CONICAL	5

Additional Options		
Model	Part Number	Description
D1000-ADA	ASY-200055	Handicap Accessible Controls
D1000-TANK-TEST	ASY-200140	Nitrogen Puff Test Tank
D1000-NSF	ASY-200005	NSF Approved Sealant
D1000-E	ASY-200074	Electric Range
D1000-G	ASY-200094	Gas Range Disconnect
D1000-DED	ASY-200068	Pwr Range Disconnect for Electric and Gas
D1000-DRD 5-15 (125V) 15A	ASY-300025	Dual Receptacle Disconnect 5-15 (125V) 15A
D1000-DRD 5-20 (125V) 20A	ASY-300026	Dual Receptacle Disconnect 5-20 (125V) 20A
D1000-DRD 6-20 (250V) 20A	ASY-300027	Dual Receptacle Disconnect 6-20 (250V) 20A
D1030-TC D	ASY-200153	Top Cover for 30" Hood with Inline Exhaust



Included with		
Model	Part Number	Description
D1000-MPK	ASY-200108	Manual Pull Station
CLBX	ASY-200047	Clock Box Password



DENLAR
FIRE PROTECTION
 PRE-ENGINEERED RANGE HOODS
 The World's Only Fail-Safe UL300A Hood