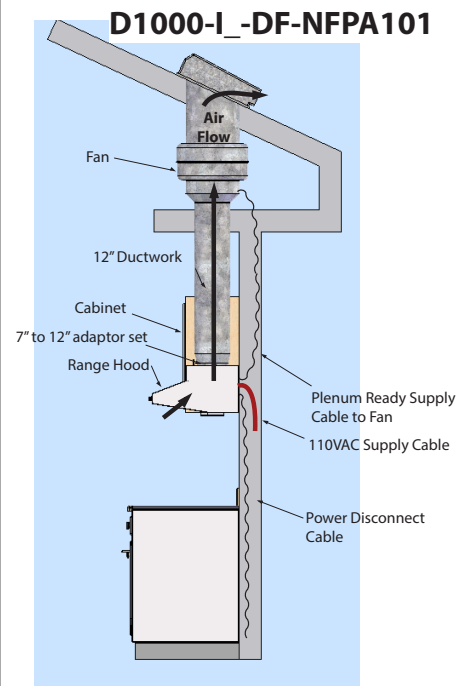
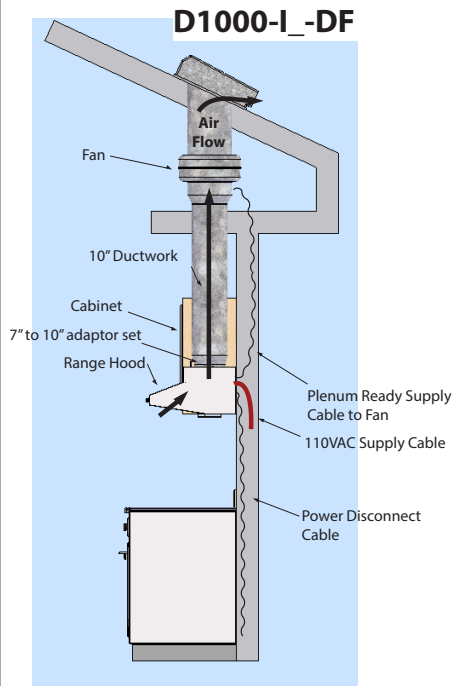


The D1000

**Model: D1036-I_-DF
Spec & Submittal
Version 2.3**



	Width	Fan Type	Venting	CFM (at hood)	DUCT LENGTH (max)
D1030-F_	30"	INTERNAL	FRONT (recirc)	140 CFM	N/A
D1030-F_ (NFPA101)	30"	INTERNAL	FRONT (recirc)	500 CFM	N/A
D1030-R_	30"	INTERNAL	REAR EXPELLING	250 CFM	N/A
D1030-R_ (NFPA101)	30"	INTERNAL	REAR EXPELLING	500 CFM	N/A
D1030-I_-DF	30"	In-Line Duct Fan	Vertical Duct	470 CFM	35 FEET
D1030-I_-DF (NFPA101)	30"	In-Line Duct Fan	Vertical Duct	510 CFM	35 FEET
D1030-I_-WF	30"	Exterior Wall Fan	Vertical Duct	150 CFM	20 FEET
D1030-I_-WF (NFPA101)	30"	Exterior Wall Fan	Vertical Duct	550 CFM	20 FEET
D1036-F_	36"	INTERNAL	FRONT (recirc)	140 CFM	N/A
D1036-F_ (NFPA101)	36"	INTERNAL	FRONT (recirc)	500 CFM	N/A
D1036-R_	36"	INTERNAL	REAR EXPELLING	250 CFM	N/A
D1036-R_ (NFPA101)	36"	INTERNAL	REAR EXPELLING	500 CFM	N/A
D1036-I_-DF	36"	In-Line Duct Fan	Vertical Duct	470 CFM	35 FEET
D1036-I_-DF (NFPA101)	36"	In-Line Duct Fan	Vertical Duct	510 CFM	35 FEET
D1036-I_-WF	36"	Exterior Wall Fan	Vertical Duct	150 CFM	20 FEET
D1036-I_-WF (NFPA101)	36"	Exterior Wall Fan	Vertical Duct	550 CFM	20 FEET

Volts = 115 :: Hz = 60 :: Amps = 5 :: Light Bulb = 60A15/TF :: Elec. Cutoff = 50A-208VAC Relay :: Gas Cutoff = 110VAC Solenoid

Typical Specifications:

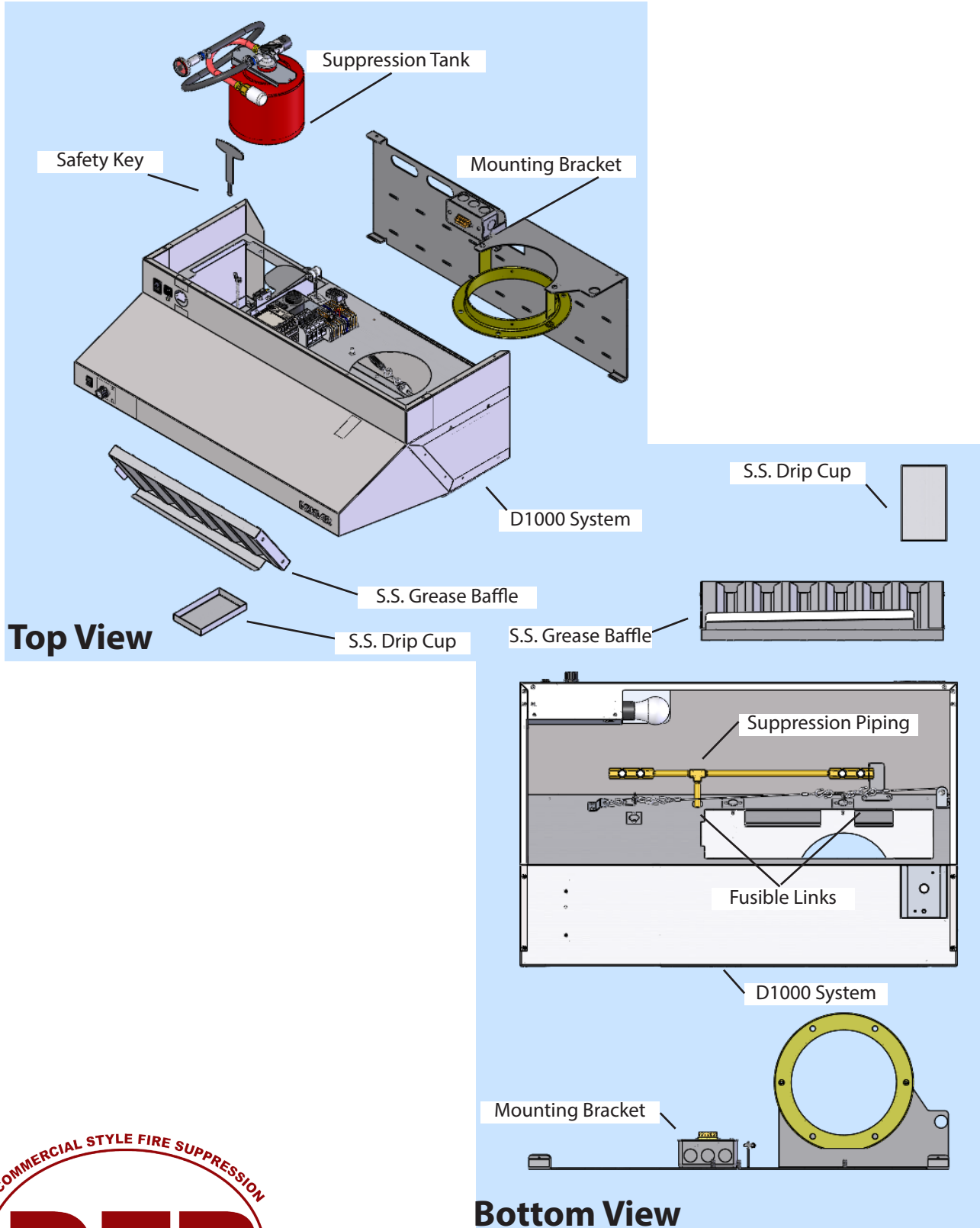
- Hood shall be D1000 Series by DENLAR Fire Protection
- Unit shall be wall mounted so that the bottom of the mounting bracket sits 30" to 36" above the cooktop
- Unit shall be of stainless steel construction (#18 & #20 GA, polished 304) w/ no sharp edges and brushed finish
- Unit shall have fire suppression system factory installed
- Activation of the mechanical fire suppression system shall be by 212 or 280 degree fusible link (30" vs 36")
- Wet chemical extinguishing agent: Low PH Amerex 660 (pressurized potassium citrate / potassium acetate mix)
- Unit shall have centrifugal fan with air delivery of 380 to 610 cfm, fan speed controller will be infinitely variable
- Unit shall be ETL listed, tested to UL300A standards, fan motor shall be permanently lubricated and meet UL507
- Unit shall include a fuel shut-off device for gas & electric appliances, activated at suppression system discharge
- Unit shall also automatically disconnect range element once a certain pre-set temperature is reached
- Unit shall have multiple alarm contacts pre-installed (local, remote & trouble alarms) and an audible buzzer
- Lighting shall be by 60w shatter-proof bulb

Standard Options*:

- MPK - Manual Pull Station Kit
- NSF - Upgrade to Natl. Sanitation Foundation Compliance
- ADA - Handicapped Accessible Control Box
- CLBX - THE CLOCKBOX (Key-lock, Range Element Timer)
- NFPA101 - Upgrade to NFPA Life Safety Code Compliance
- *Custom Powdercoat Finishes Are Available



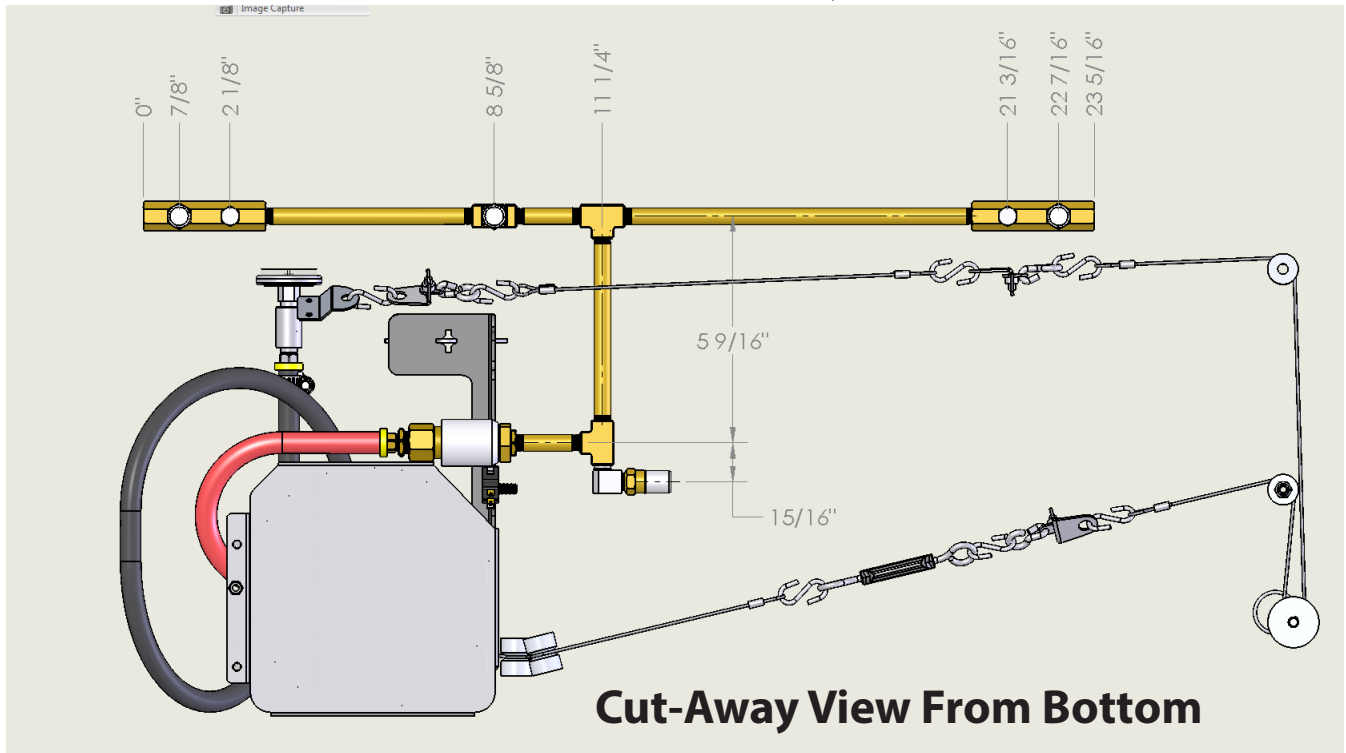
System Anatomy :: D1036-I_-DF



The D1000

Model: D1036-I_-DF
Spec & Submittal
Version 2.3

Integrated Fire Suppression System

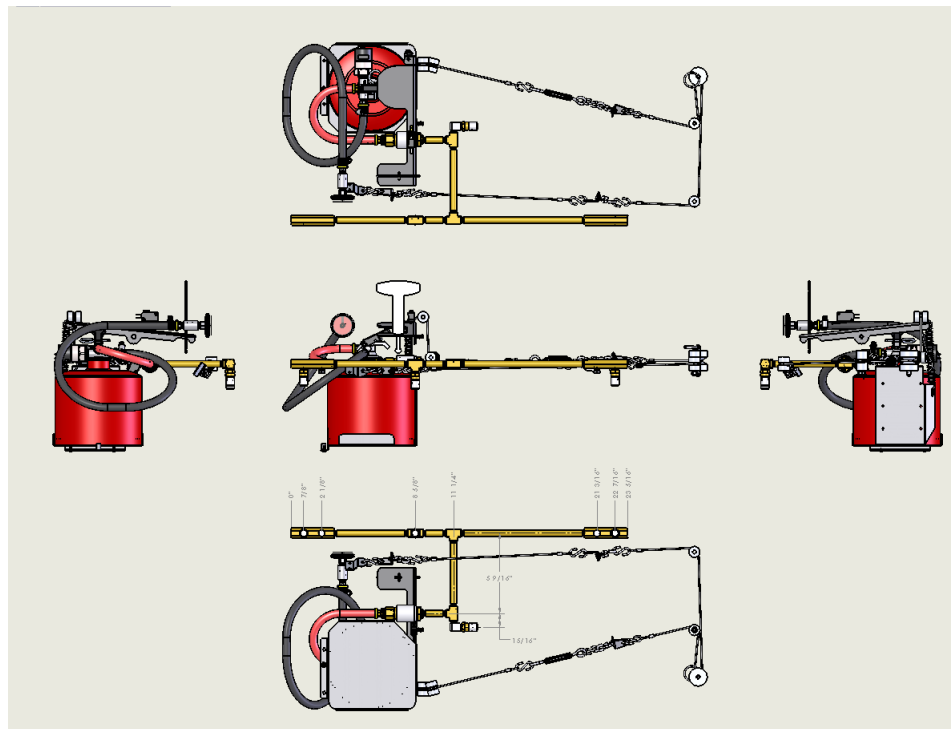


Nozzle Type:
40 degree Conical Spray

Number of Nozzles:
5 protecting the appliance
1 located in the plenum

Chemical Agent:
AMEREX 660
-low PH wet chemical

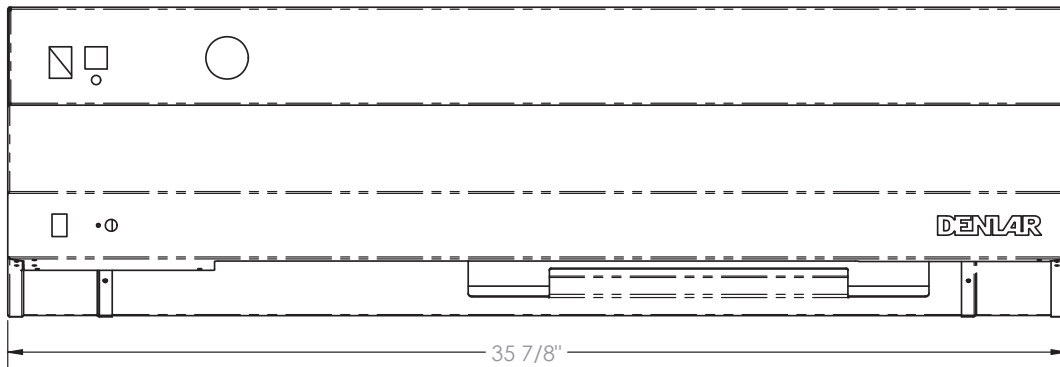
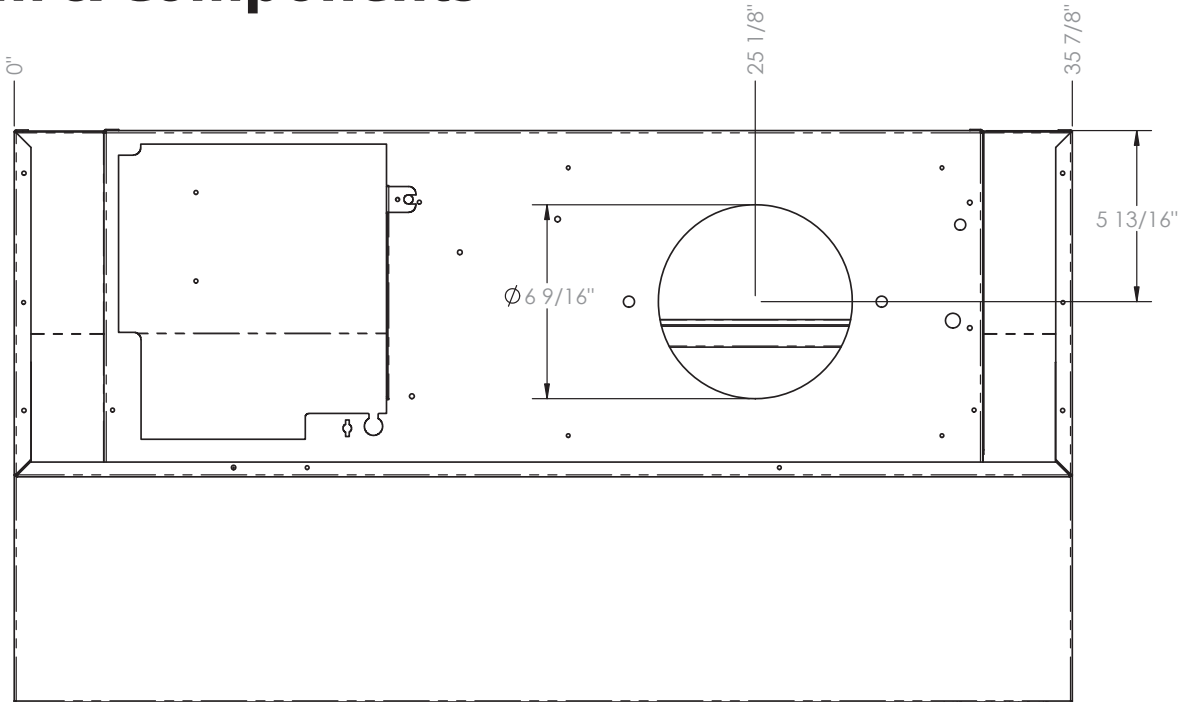
Bottle Volume:
approx. 1.5 liters



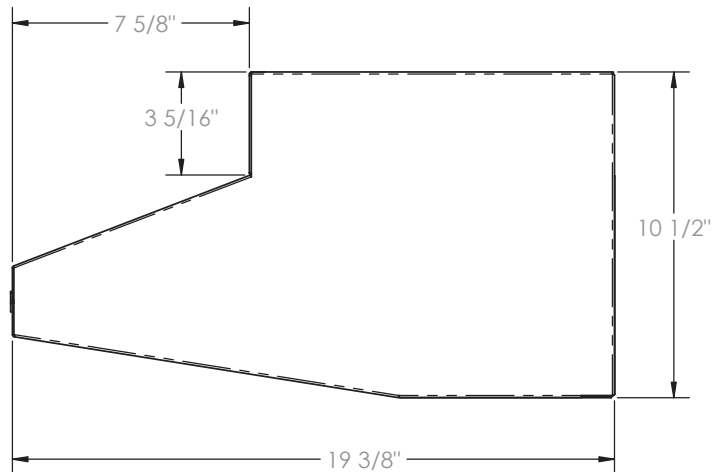
The D1000

Model: D1036-I_-DF
Spec & Submittal
Version 2.3

System & Components

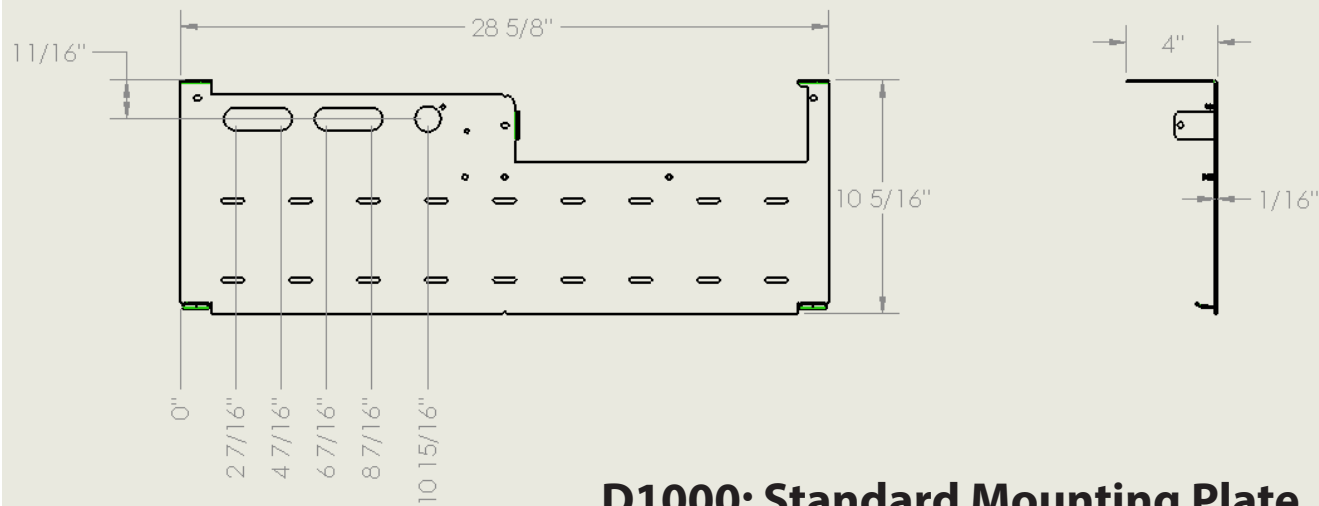


D1036: Outer Shell

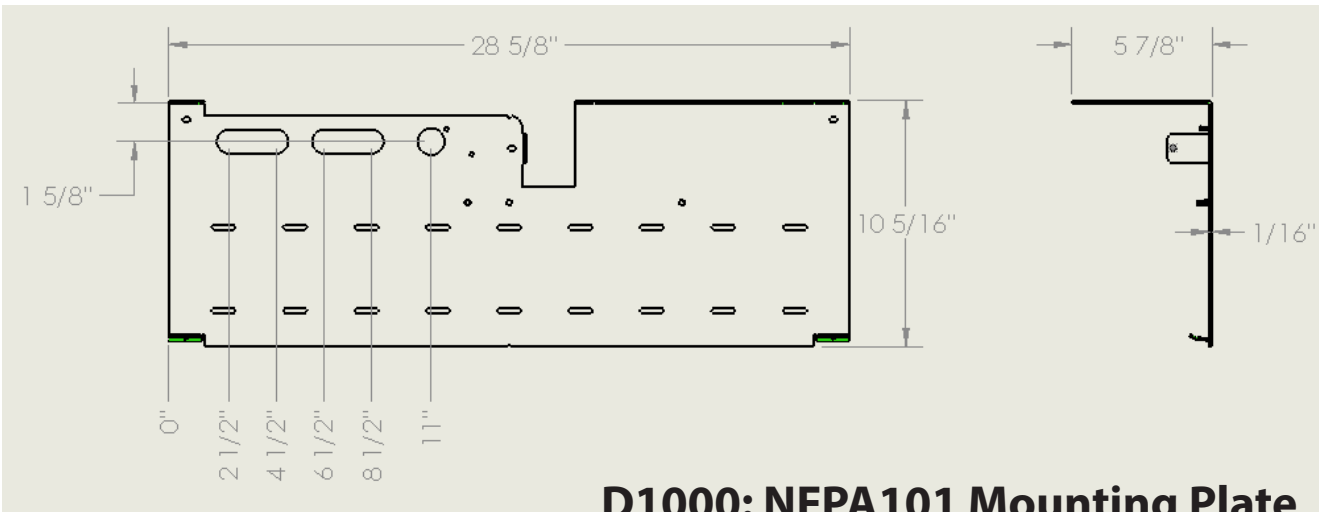


The D1000

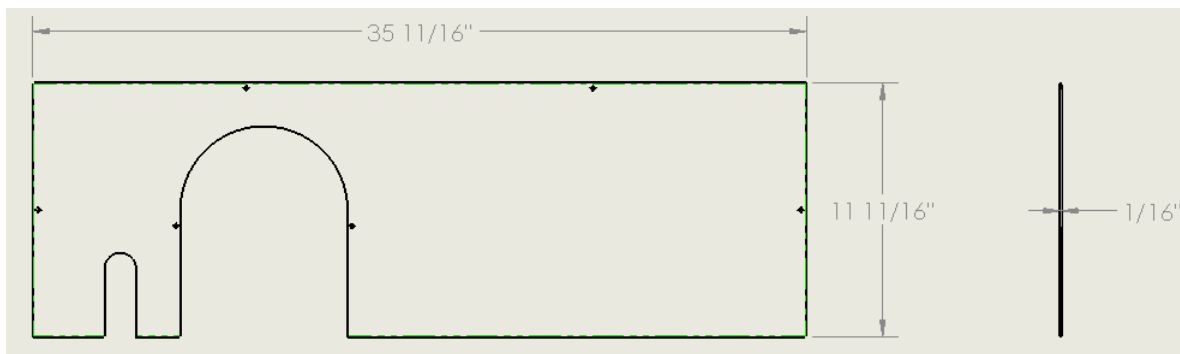
**Model: D1036-I_-DF
Spec & Submittal
Version 2.3**



D1000: Standard Mounting Plate



D1000: NFPA101 Mounting Plate



***D1036TC: 30" Top Cover for 1 unit**

* Indicates OPTIONAL component



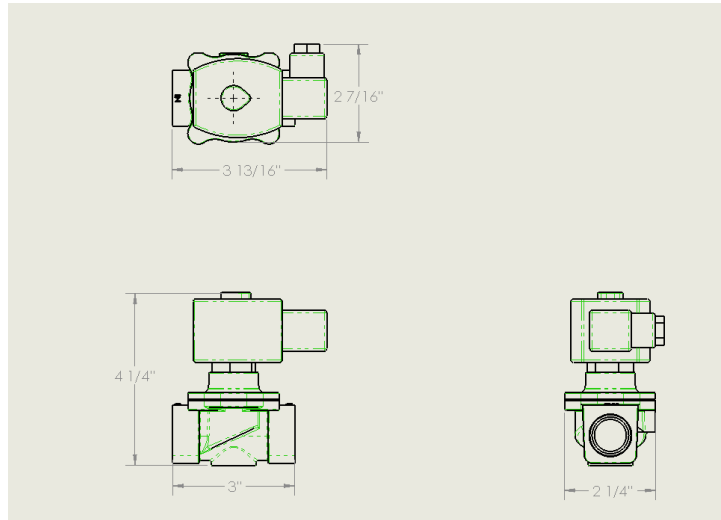
The D1000

**Model: D1036-I_-DF
Spec & Submittal
Version 2.3**

D1000-G: Controlled GAS Solenoid Valve

Included:

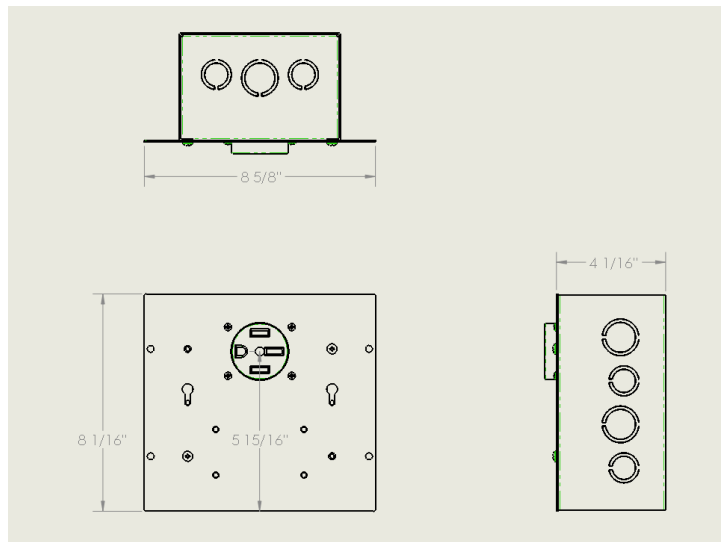
6 ft shielded control wire
-plug & play connection



D1000-E: Electric Range Element Disconnect

Included:

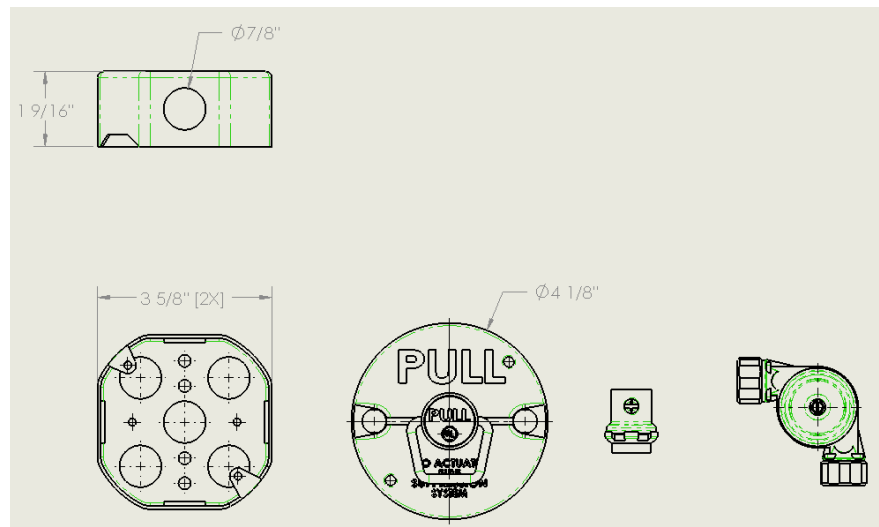
6 ft shielded control wire
-plug & play connection



*D1000-MPK: Manual Pull Station Kit

Included:

18 ft braided metal rope
3 corner pulley's



* Indicates OPTIONAL component



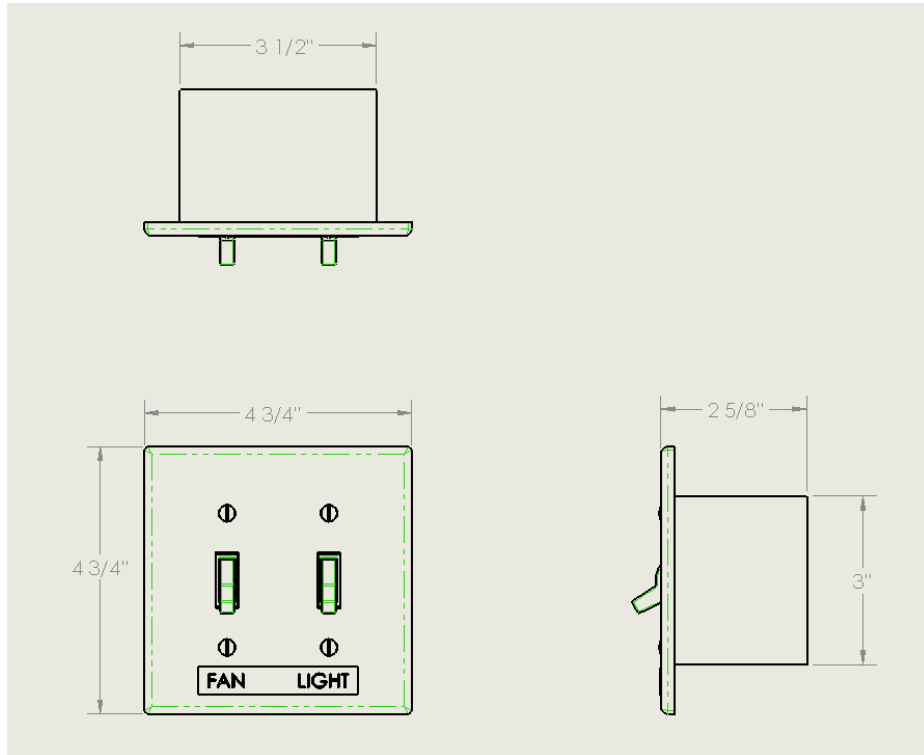
The D1000

Model: D1036-I_-DF
Spec & Submittal
Version 2.3

***D1000-ADA:
Handicapped
Accessible
Control Box**

Included:

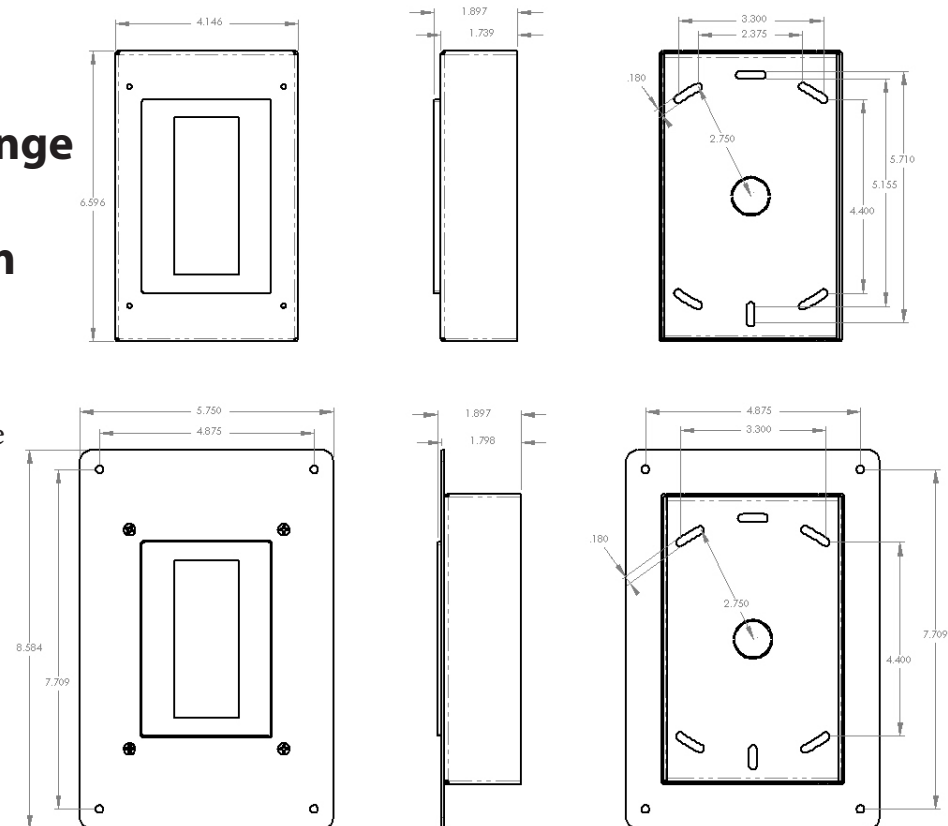
8ft shielded control wire
-plug & play connection



***D1000-CLBX:
CLOCKBOX II Range
Element Timer /
Lock-Out System**

Included:

20ft shielded control wire
-plug & play connection



* Indicates OPTIONAL component

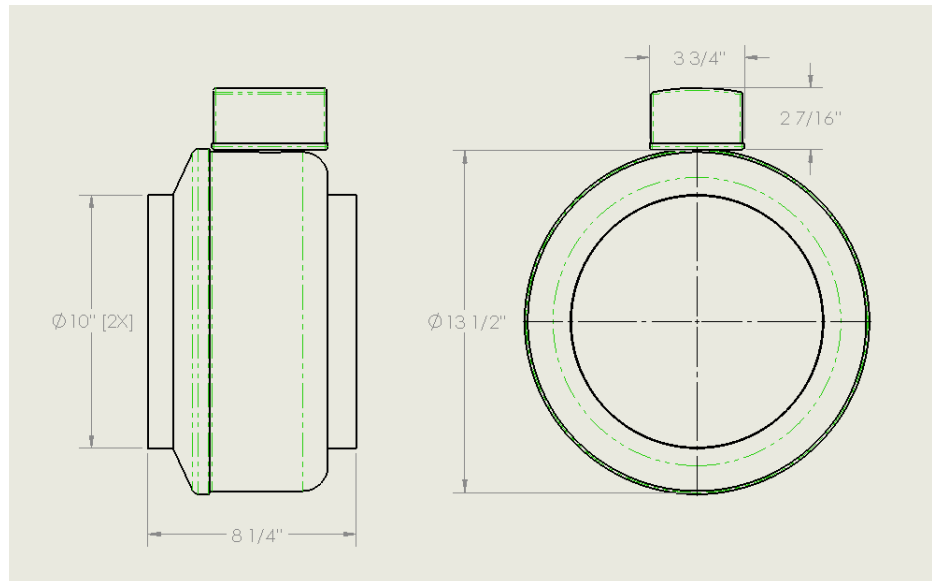
The D1000

**Model: D1036-I_-DF
Spec & Submittal
Version 2.3**

D1000-DF: Standard In-Line Exhaust Fan

Included:

25ft plenum rated wire
-plug & play connection



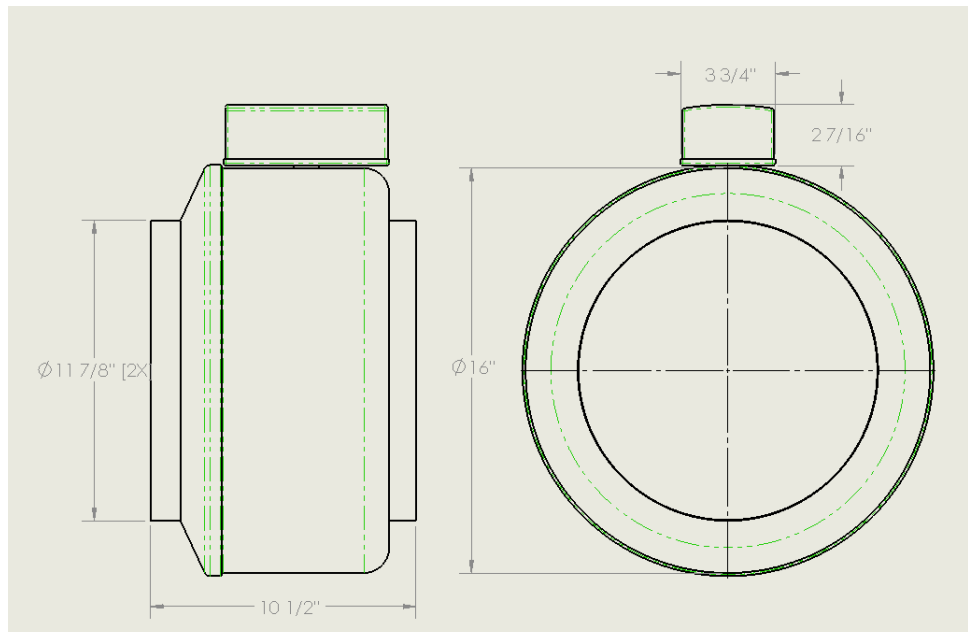
NFPA101 Calibration :: D1036-I_-DF-NFPA101

The NFPA101 Upgrade to the DENLAR D1000 is intended to offer total compliance to a 2012 Amendment to The NFPA Life Safety Code section 18.3.2.5.3. The “NFPA101” calibration packages the following options into one simple upgrade: +500cfm of Air Delivery, a Manual Pull Station Kit and The CLOCKBOX.

D1000-DF: NFPA101 In-Line Exhaust Fan

Included:

25ft plenum rated wire
-plug & play connection

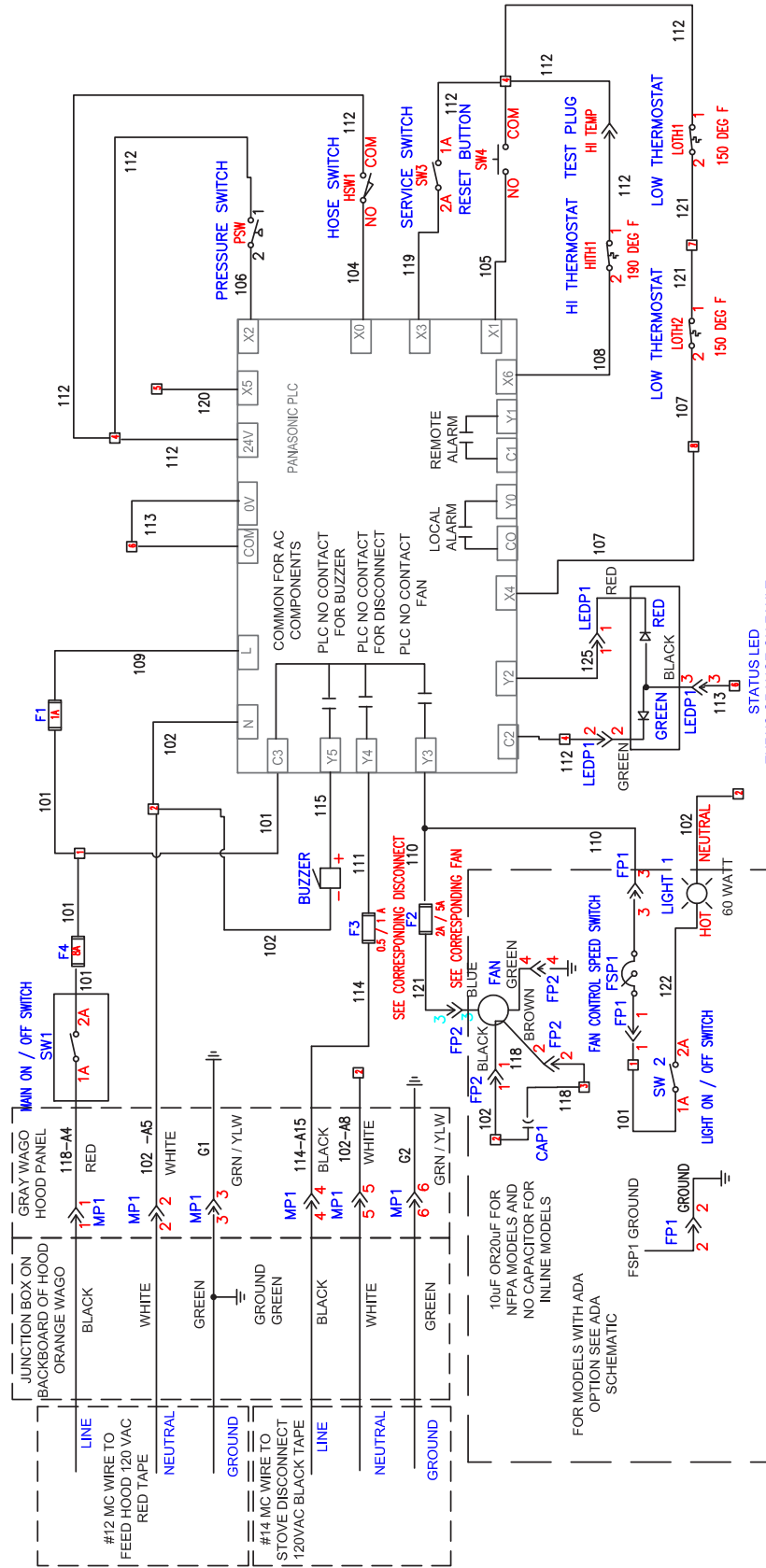


The D1000

Model: D1036-I_-DF
Spec & Submittal
Version 2.3



D1000 Electrical Diagram - Complete Schematic



STATUS LED
TURNS ORANGE ON FAULT
D1000 SCHEMATIC REV 08/18/205A

The D1000

Model: D1036-I_-DF
Spec & Submittal
Version 2.3