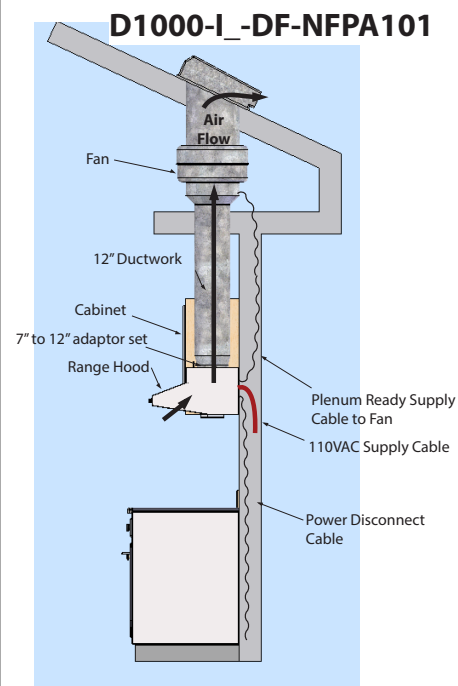
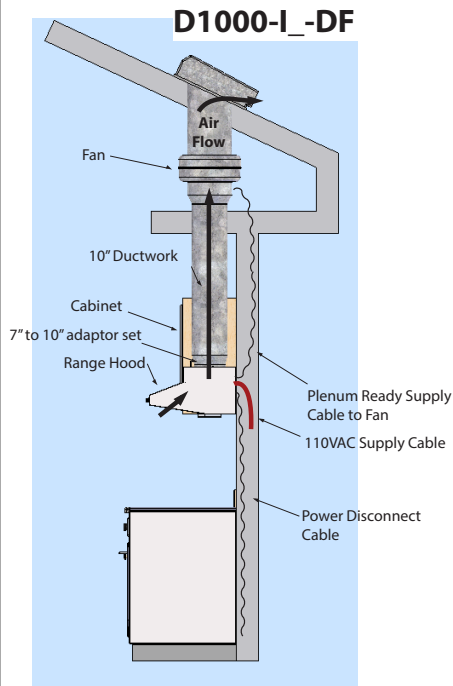


# The D1000

**Model: D1030-I\_-DF  
Spec & Submittal  
Version 2.3**



	Width	Fan Type	Venting	CFM (at hood)	DUCT LENGTH (max)
D1030-F_	30"	INTERNAL	FRONT (recirc)	140 CFM	N/A
D1030-F_ (NFPA101)	30"	INTERNAL	FRONT (recirc)	<b>500 CFM</b>	N/A
D1030-R_	30"	INTERNAL	REAR EXPELLING	250 CFM	N/A
D1030-R_ (NFPA101)	30"	INTERNAL	REAR EXPELLING	<b>500 CFM</b>	N/A
D1030-I_-DF	30"	In-Line Duct Fan	Vertical Duct	470 CFM	35 FEET
D1030-I_-DF (NFPA101)	30"	In-Line Duct Fan	Vertical Duct	<b>510 CFM</b>	35 FEET
D1030-I_-WF	30"	Exterior Wall Fan	Vertical Duct	150 CFM	20 FEET
D1030-I_-WF (NFPA101)	30"	Exterior Wall Fan	Vertical Duct	<b>550 CFM</b>	20 FEET
D1036-F_	36"	INTERNAL	FRONT (recirc)	140 CFM	N/A
D1036-F_ (NFPA101)	36"	INTERNAL	FRONT (recirc)	<b>500 CFM</b>	N/A
D1036-R_	36"	INTERNAL	REAR EXPELLING	250 CFM	N/A
D1036-R_ (NFPA101)	36"	INTERNAL	REAR EXPELLING	<b>500 CFM</b>	N/A
D1036-I_-DF	36"	In-Line Duct Fan	Vertical Duct	470 CFM	35 FEET
D1036-I_-DF (NFPA101)	36"	In-Line Duct Fan	Vertical Duct	<b>510 CFM</b>	35 FEET
D1036-I_-WF	36"	Exterior Wall Fan	Vertical Duct	150 CFM	20 FEET
D1036-I_-WF (NFPA101)	36"	Exterior Wall Fan	Vertical Duct	<b>550 CFM</b>	20 FEET

**Volts = 115 :: Hz = 60 :: Amps = 5 :: Light Bulb = 60A15/TF :: Elec. Cutoff = 50A-208VAC Relay :: Gas Cutoff = 110VAC Solenoid**

## Typical Specifications:

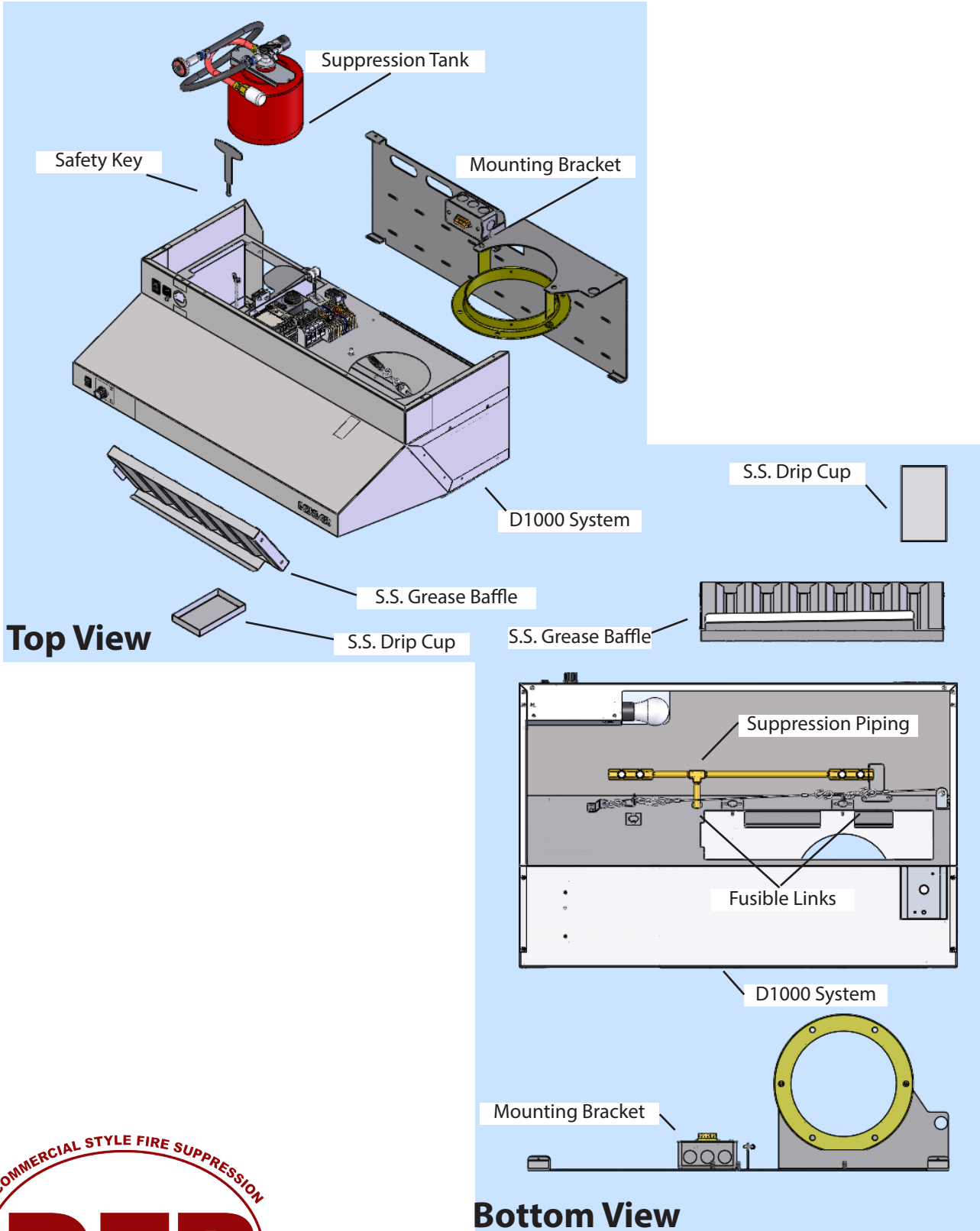
- Hood shall be D1000 Series by DENLAR Fire Protection
- Unit shall be wall mounted so that the bottom of the mounting bracket sits 24" to 30" above the cooktop
- Unit shall be of stainless steel construction (#18 & #20 GA, polished 304) w/ no sharp edges and brushed finish
- Unit shall have fire suppression system factory installed
- Activation of the mechanical fire suppression system shall be by 212 or 280 degree fusible link (30" vs 36")
- Wet chemical extinguishing agent: Low PH Amerex 660 (pressurized potassium citrate / potassium acetate mix)
- Unit shall have centrifugal fan with air delivery of 380 to 610 cfm, fan speed controller will be infinitely variable
- Unit shall be ETL listed, tested to UL300A standards, fan motor shall be permanently lubricated and meet UL507
- Unit shall include a fuel shut-off device for gas & electric appliances, activated at suppression system discharge
- Unit shall also automatically disconnect range element once a certain pre-set temperature is reached
- Unit shall have multiple alarm contacts pre-installed (local, remote & trouble alarms) and an audible buzzer
- Lighting shall be by 60w shatter-proof bulb

## Standard Options\*:

- MPK - Manual Pull Station Kit
- NSF - Upgrade to Natl. Sanitation Foundation Compliance
- ADA - Handicapped Accessible Control Box
- CLBX - THE CLOCKBOX (Key-lock, Range Element Timer)
- NFPA101 - Upgrade to NFPA Life Safety Code Compliance
- \*Custom Powdercoat Finishes Are Available



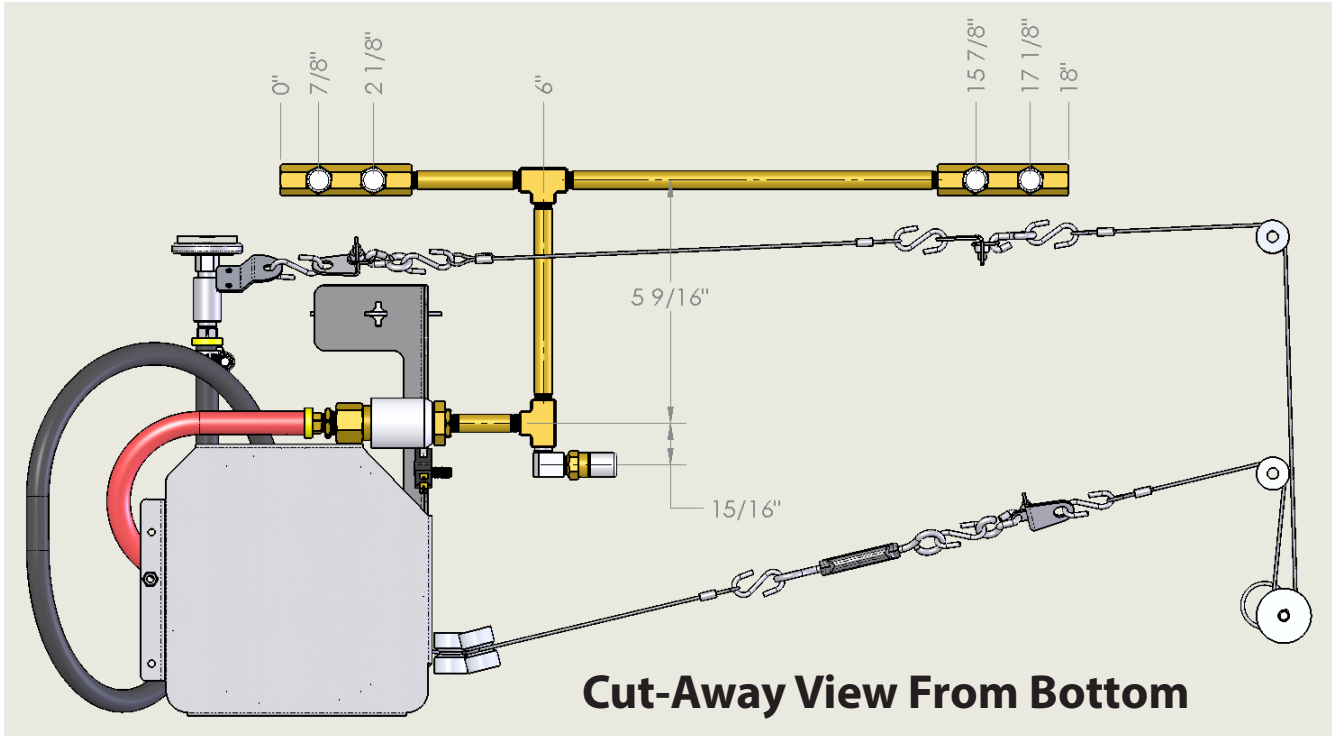
# System Anatomy :: D1030-I\_-DF



## The D1000

Model: D1030-I\_-DF  
Spec & Submittal  
Version 2.3

# Integrated Fire Suppression System

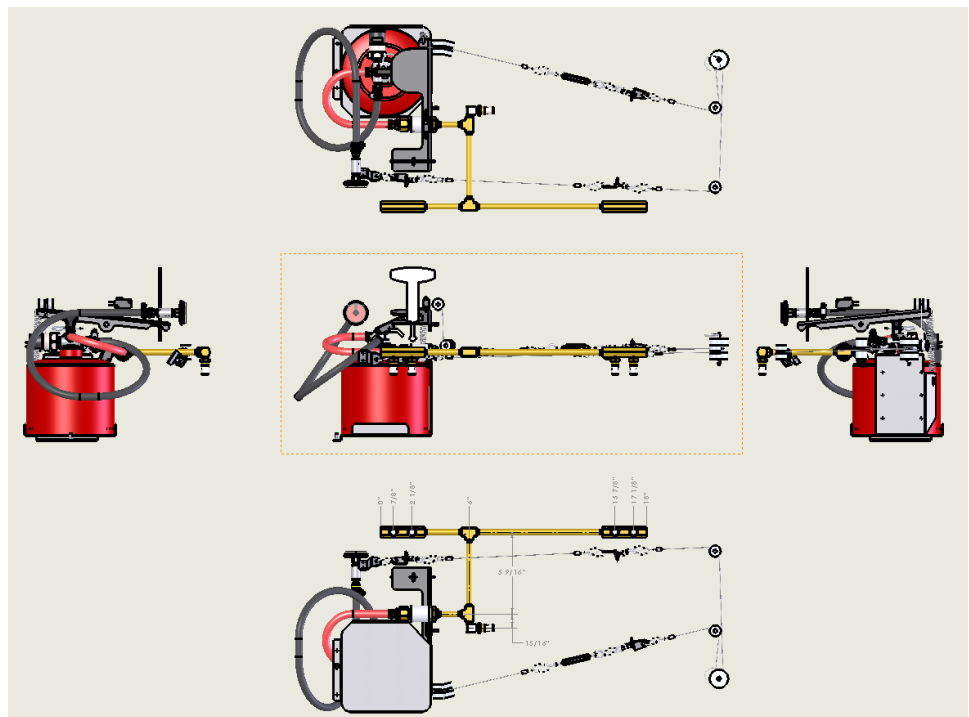


Nozzle Type:  
40 degree Conical Spray

Number of Nozzles:  
4 protecting the appliance  
1 located in the plenum

Chemical Agent:  
AMEREX 660  
-low PH wet chemical

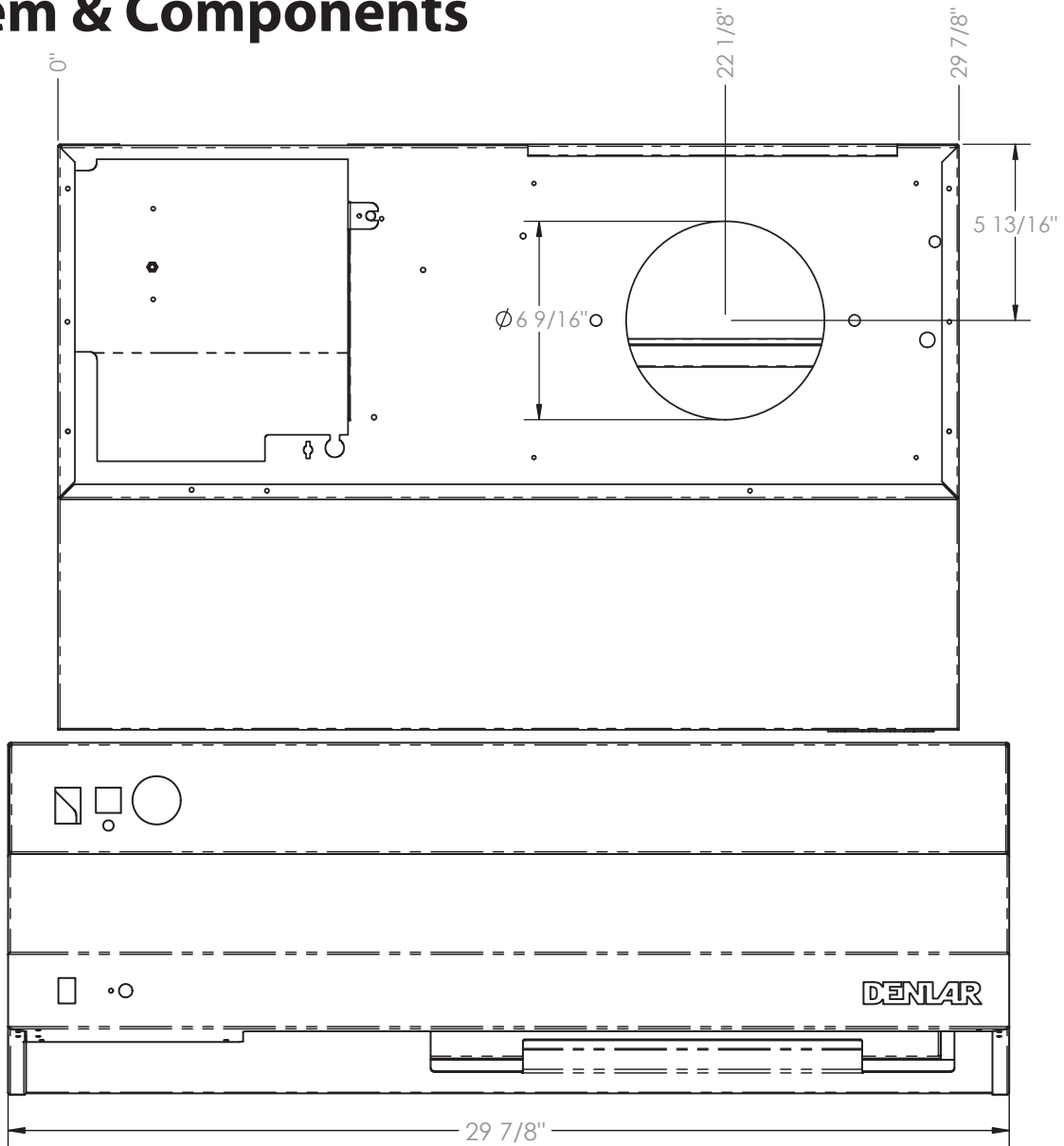
Bottle Volume:  
approx. 1.5 liters



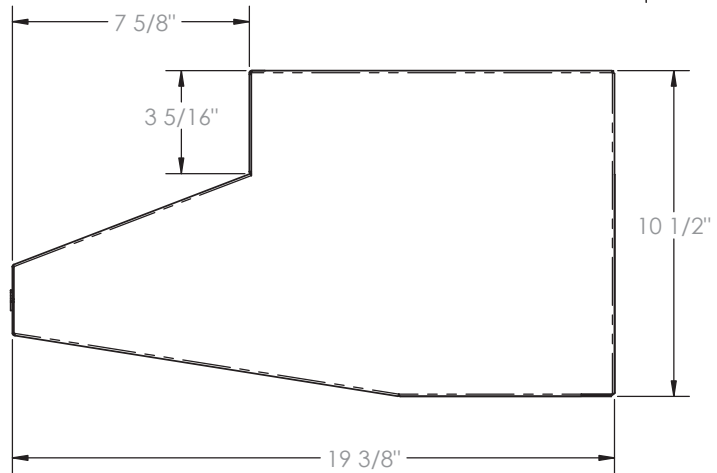
## The D1000

Model: D1030-I\_-DF  
Spec & Submittal  
Version 2.3

# System & Components

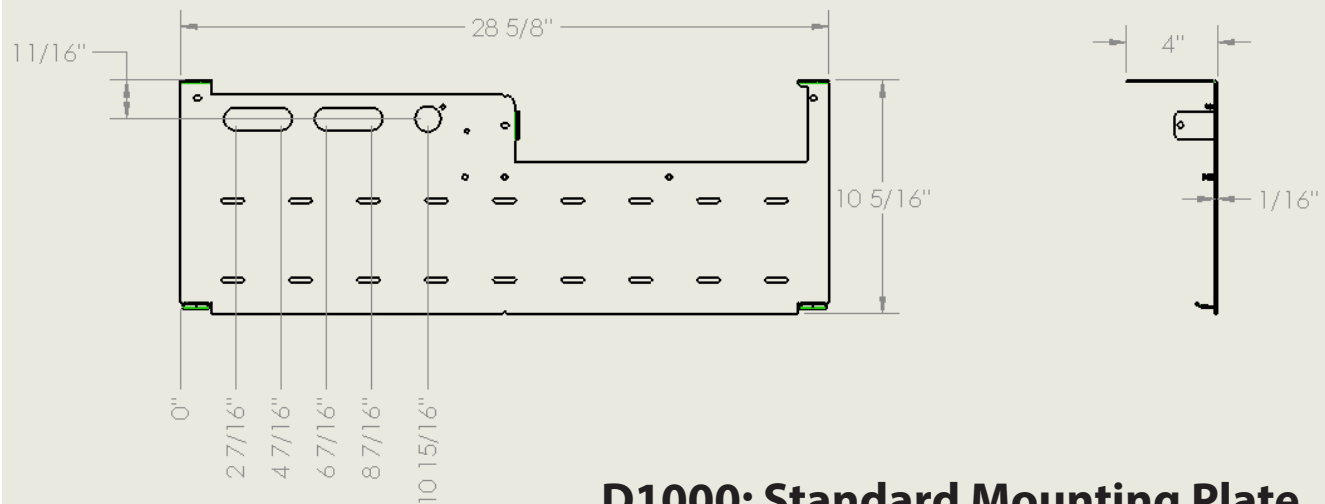


**D1030: Outer Shell**

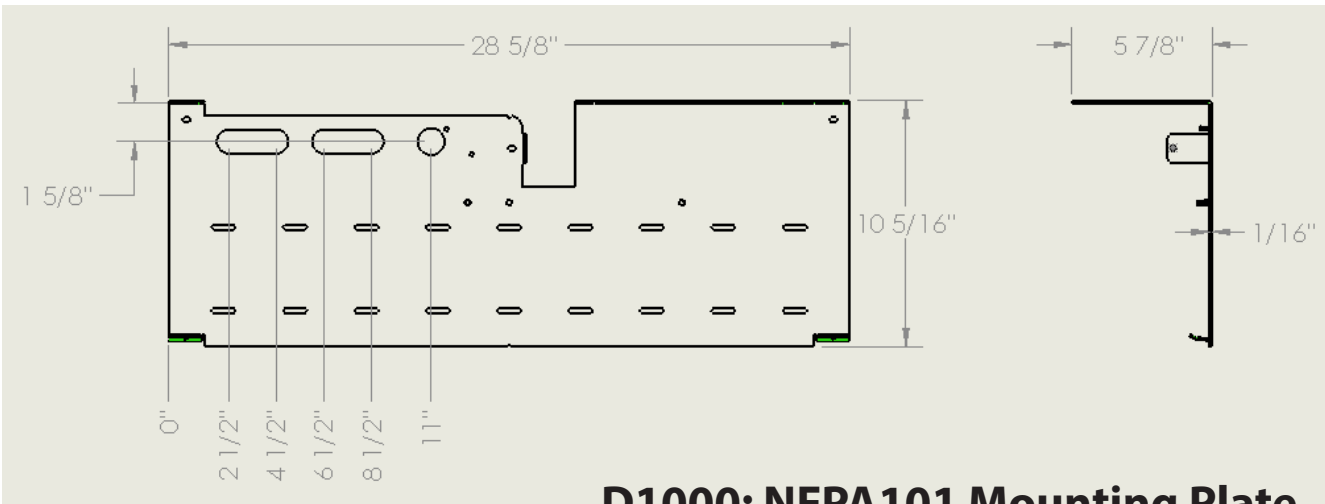


**The D1000**

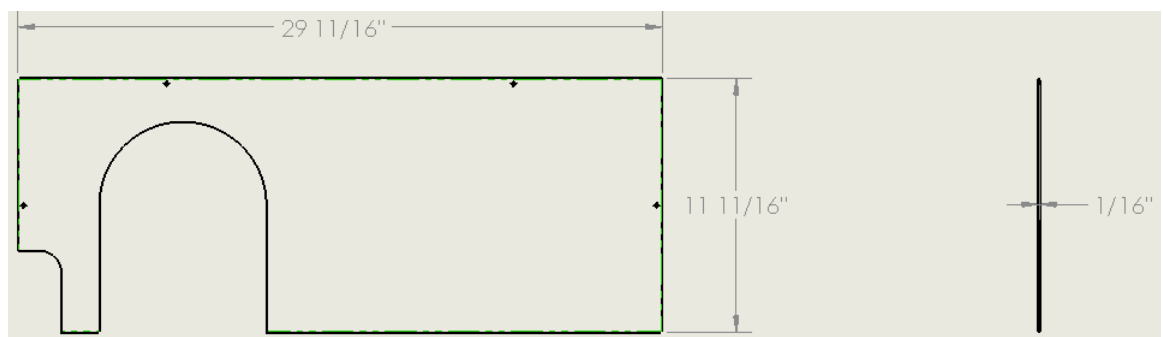
**Model: D1030-I\_-DF  
Spec & Submittal  
Version 2.3**



**D1000: Standard Mounting Plate**



**D1000: NFPA101 Mounting Plate**



**\*D1030TC: 30" Top Cover for 1 unit**

\* Indicates OPTIONAL component



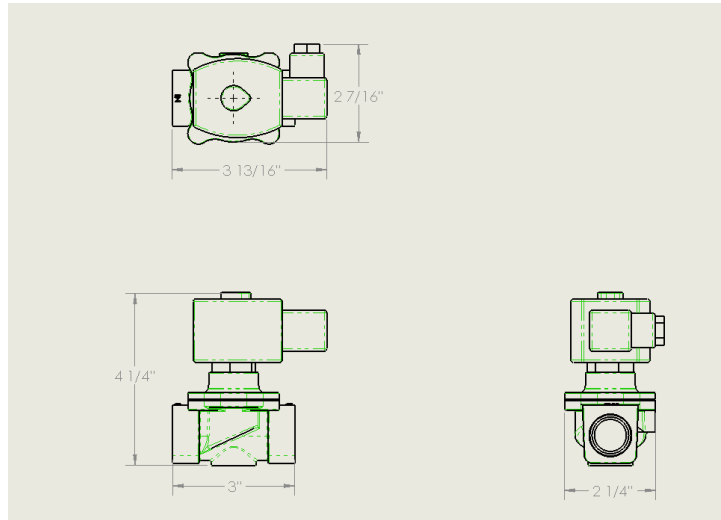
**The D1000**

**Model: D1030-I\_-DF  
Spec & Submittal  
Version 2.3**

## D1000-G: Controlled GAS Solenoid Valve

Included:

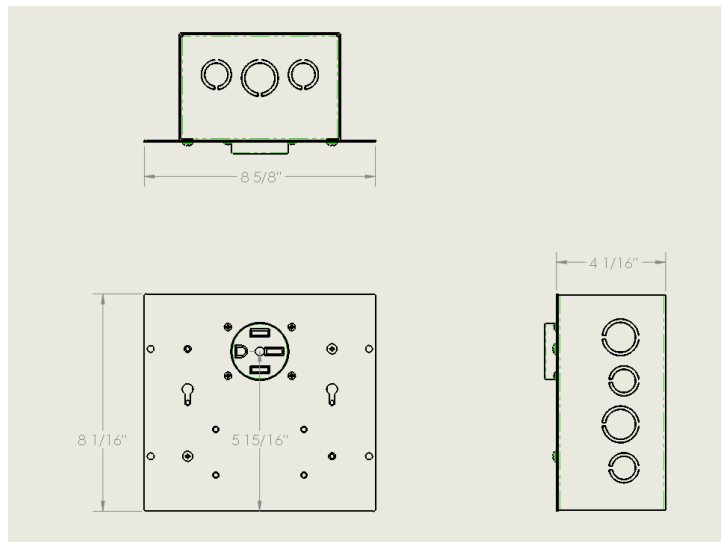
6 ft shielded control wire  
-plug & play connection



## D1000-E: Electric Range Element Disconnect

Included:

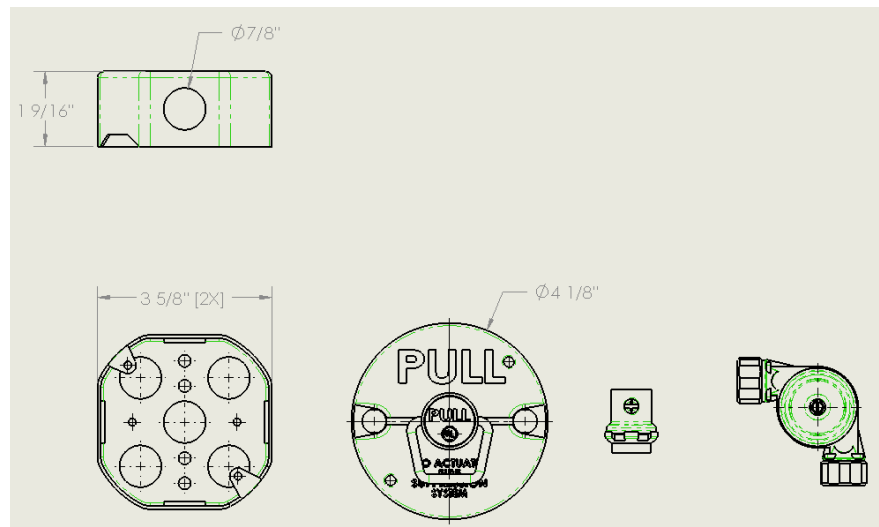
6 ft shielded control wire  
-plug & play connection



## \*D1000-MPK: Manual Pull Station Kit

Included:

18 ft braided metal rope  
3 corner pulley's



\* Indicates OPTIONAL component



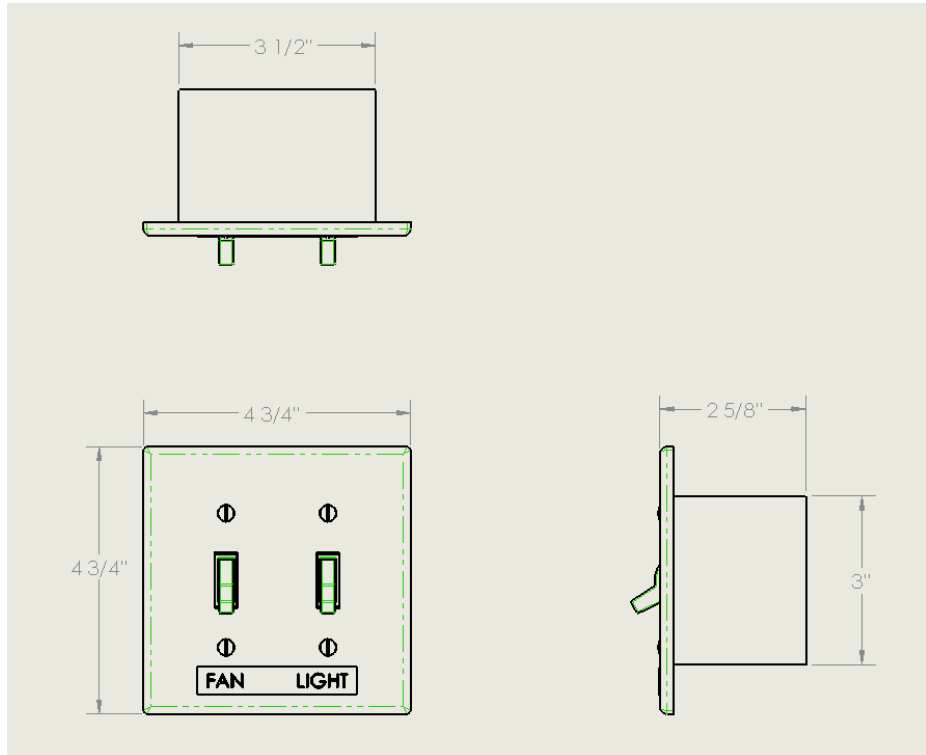
# The D1000

Model: D1030-I\_-DF  
Spec & Submittal  
Version 2.3

**\*D1000-ADA:  
Handicapped  
Accessible  
Control Box**

Included:

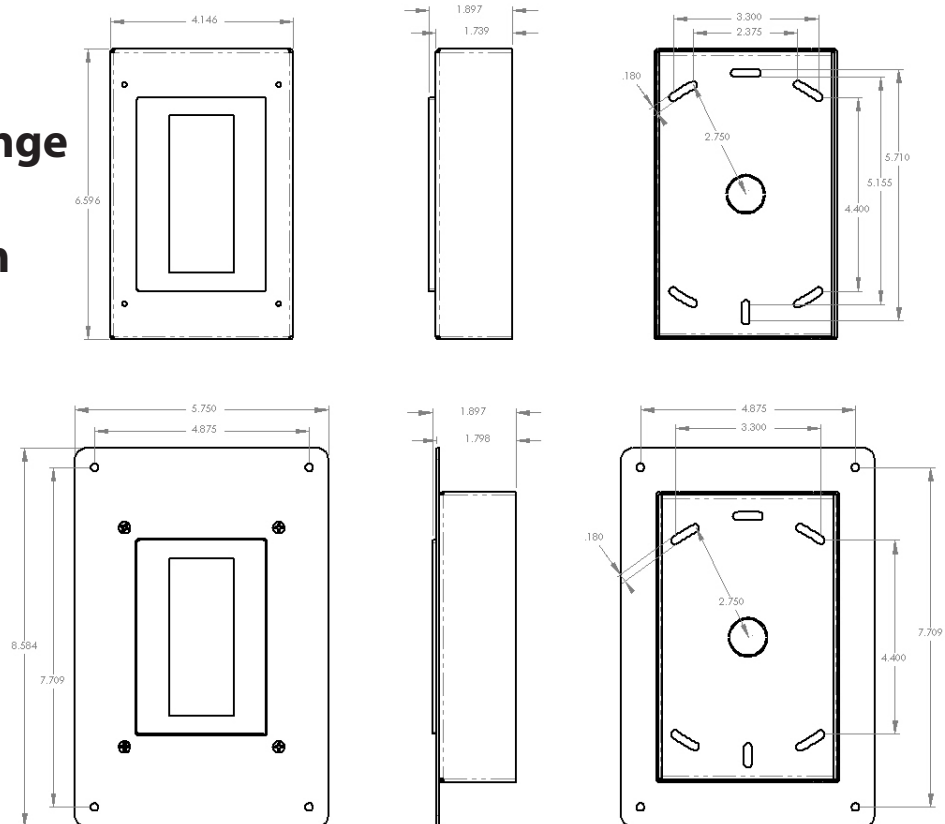
8ft shielded control wire  
-plug & play connection



**\*D1000-CLBX:  
CLOCKBOX II Range  
Element Timer /  
Lock-Out System**

Included:

20ft shielded control wire  
-plug & play connection

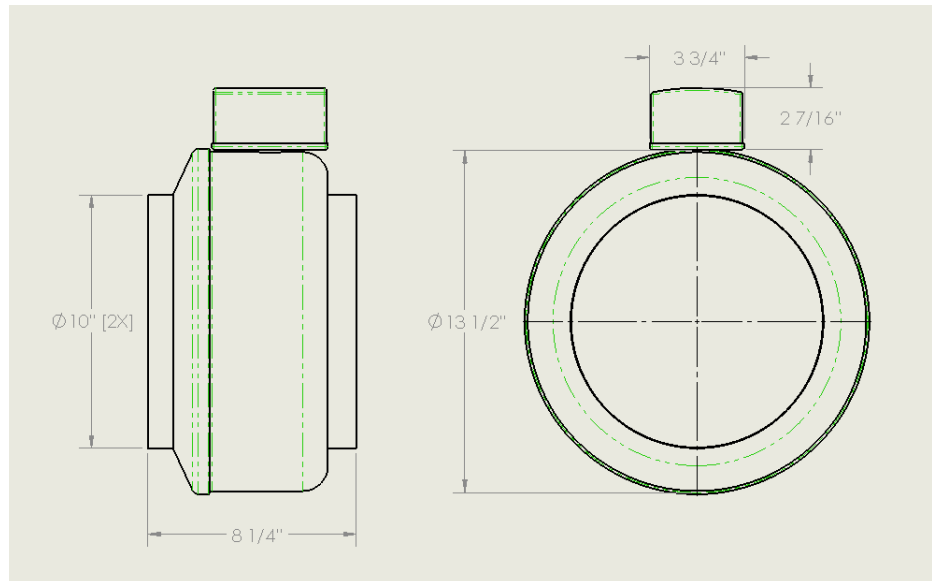


\* Indicates OPTIONAL component

## D1000-DF: Standard In-Line Exhaust Fan

Included:

25ft plenum rated wire  
-plug & play connection



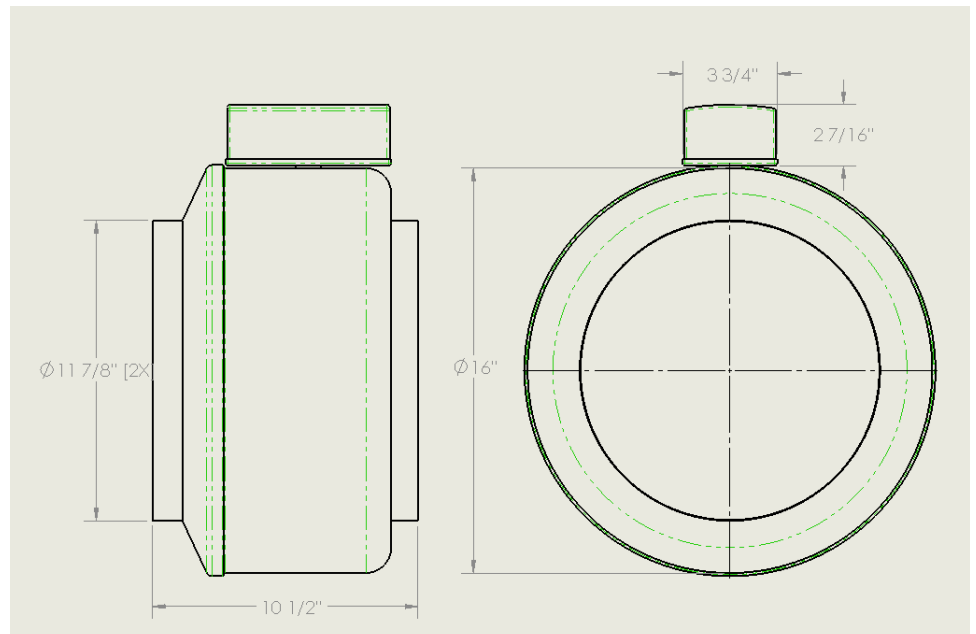
## NFPA101 Calibration :: D1030-I\_-DF-NFPA101

The NFPA101 Upgrade to the DENLAR D1000 is intended to offer total compliance to a 2012 Amendment to The NFPA Life Safety Code section 18.3.2.5.3. The “NFPA101” calibration packages the following options into one simple upgrade: +500cfm of Air Delivery, a Manual Pull Station Kit and The CLOCKBOX.

## D1000-DF: NFPA101 In-Line Exhaust Fan

Included:

25ft plenum rated wire  
-plug & play connection



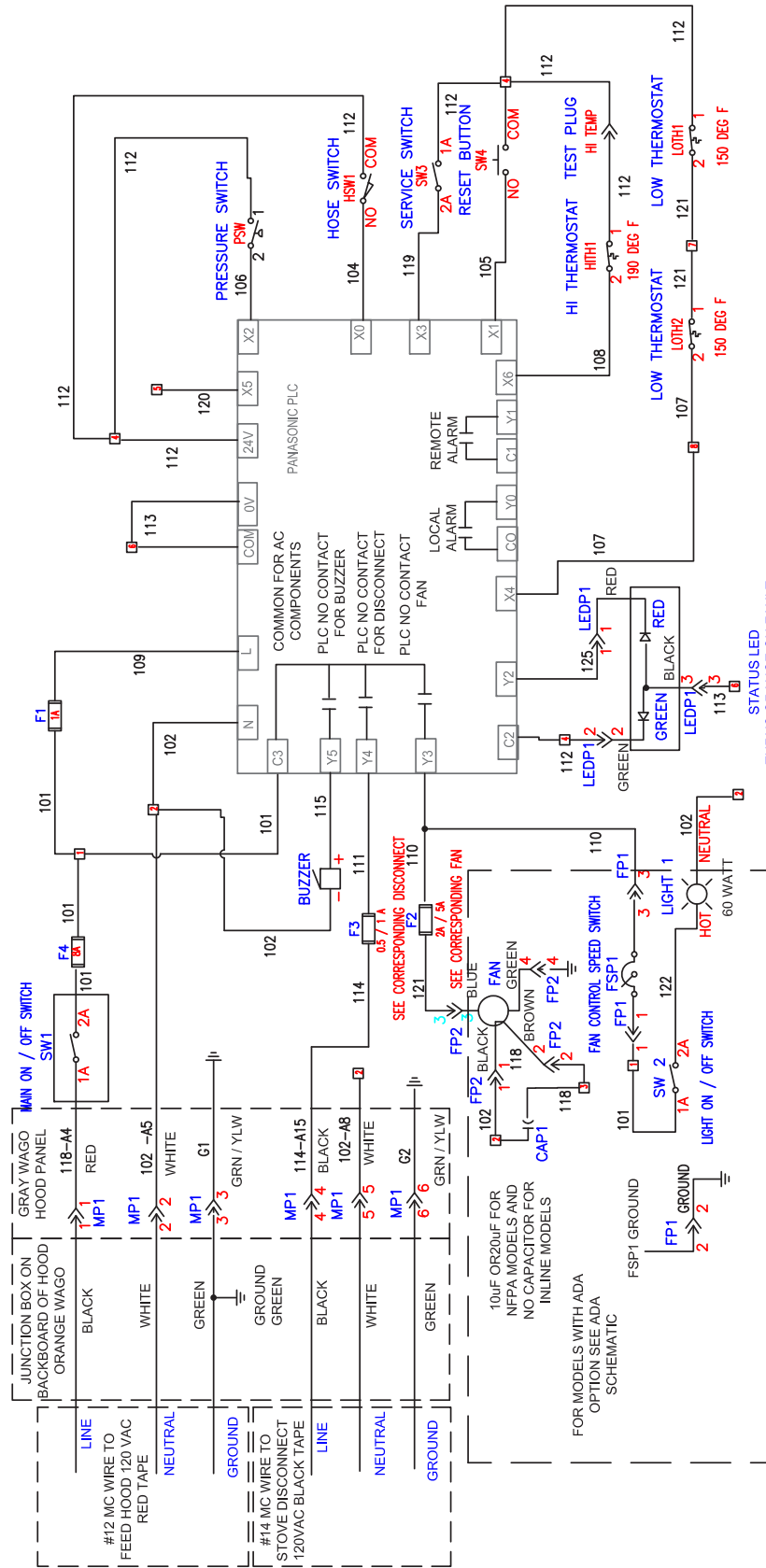
# The D1000

Model: D1030-I\_-DF  
Spec & Submittal  
Version 2.3





# D1000 Electrical Diagram - Complete Schematic



STATUS LED  
TURNS ORANGE ON FAULT  
D1000 SCHEMATIC REV 0818205A

## The D1000

Model: D1030-I\_-DF  
Spec & Submittal  
Version 2.3