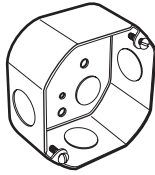
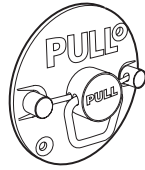


Manual Pull Kit Installation: Designer Series

Parts Included:



Pull Box (x1)



Pull Face (x1)



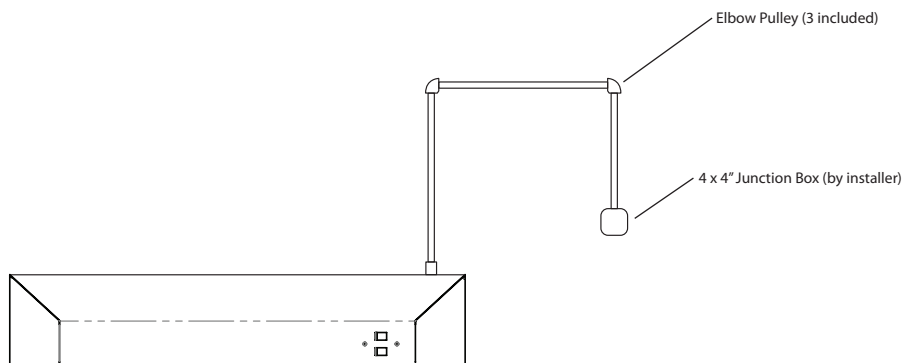
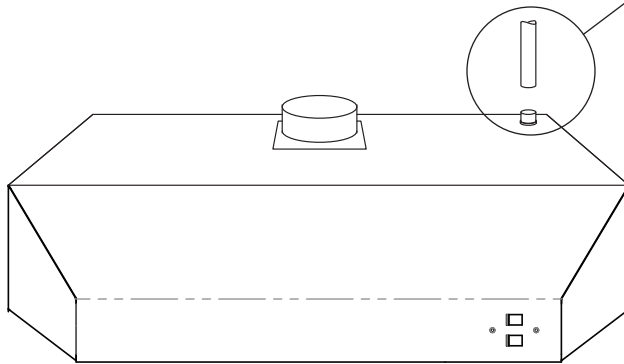
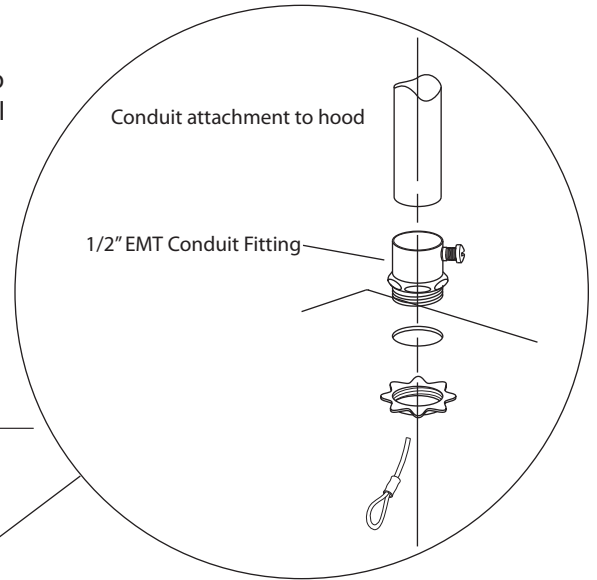
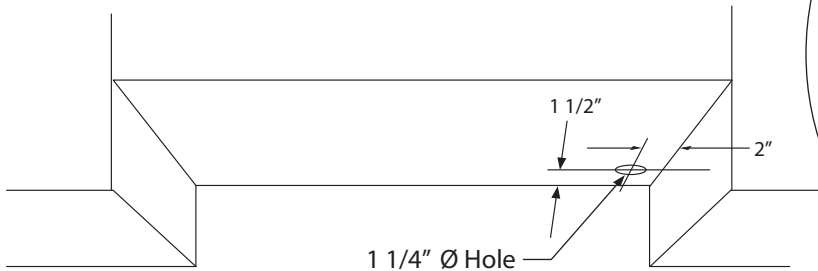
Elbow Pulley (x3)



Cable (18 ft)

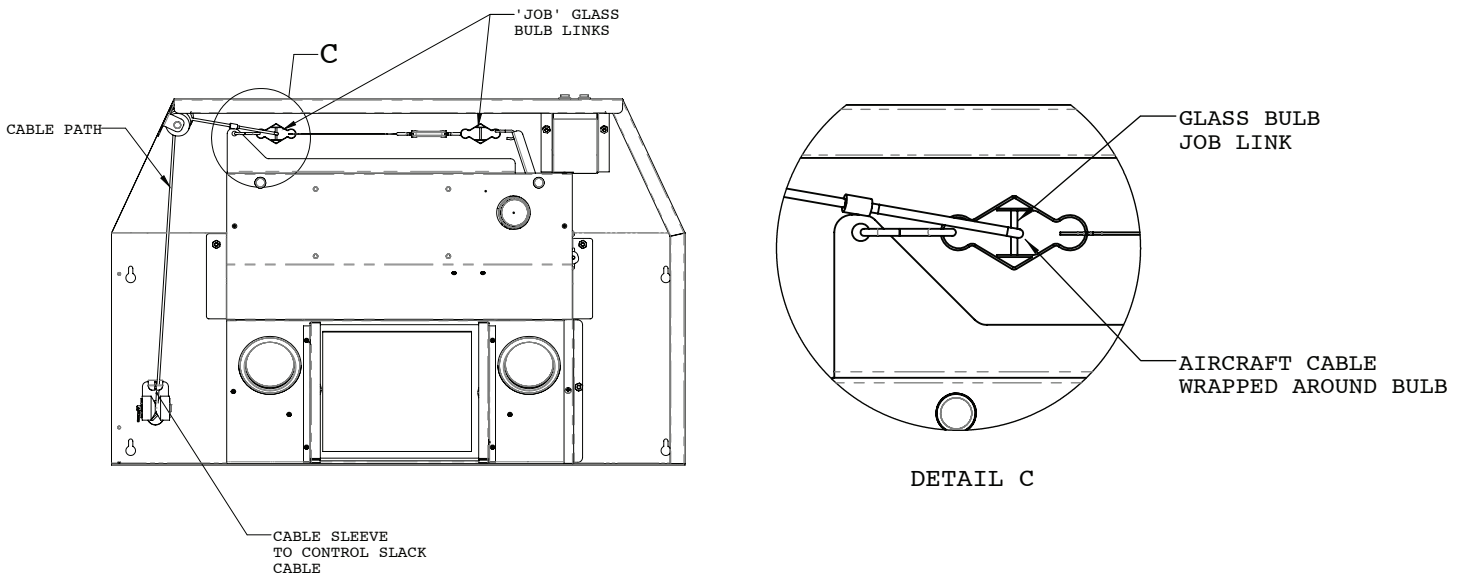
Step 1: Installing Conduit

Mount the pull box in an appropriate location in the path to an exit. Keep in mind you are supplied with 18 feet of cable and 3 elbow pulleys. Install 1/2" conduit (not included) between the unit and the pull box, using the pulleys as needed. Pull cable through the conduit. Be sure to abide by all local building codes when installing conduit.



Step 2: Install Cable to Hood

Run the cable through the hood as shown to the conduit.



Step 3: Install Cable to Pull Face

Attach the cable to the pull face by crimping a loop in the cable through the hole on the back side of the handle. Be sure cable is securely crimped to withstand at least 50 lbs of pull force. Leave no more than 12" of slack in the line on the pull face end. To make this easier, the handle may be removed by loosening the set screw in one of the studs, and sliding the red plastic rod out. Attach the pull face to the pull box already mounted on the wall, collecting any slack into the pull box.

